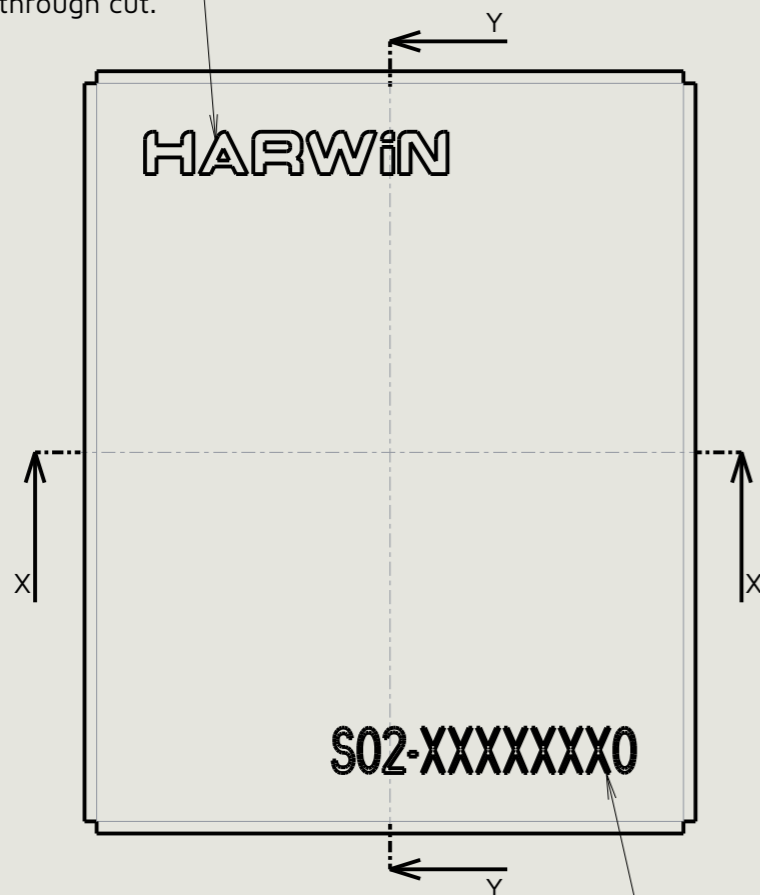


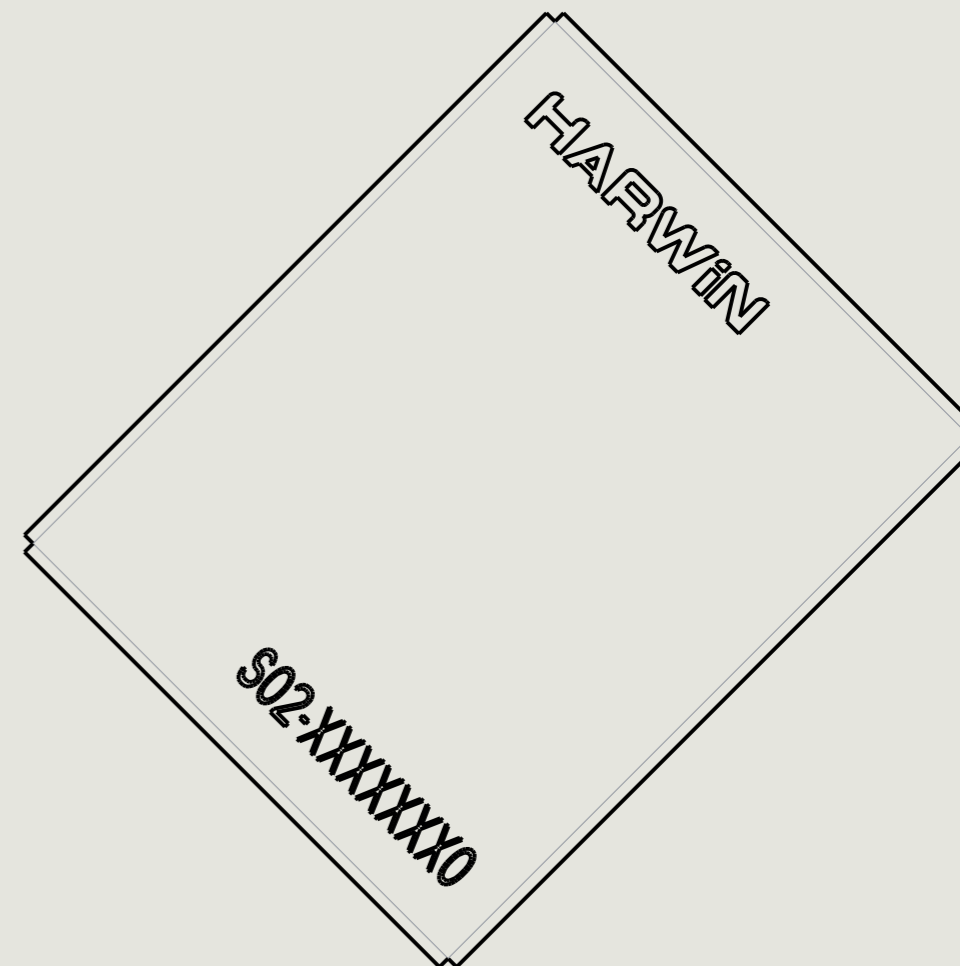
Customer Information Sheet

Variants supplied in boxes.

Embossed Harwin logo
Not through cut.



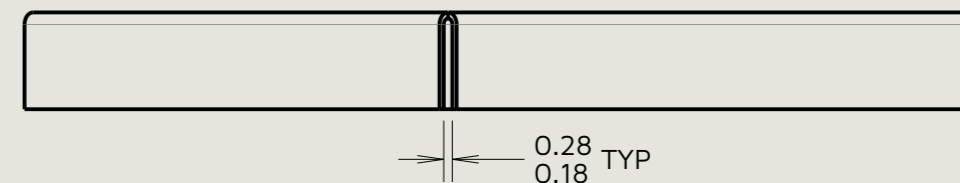
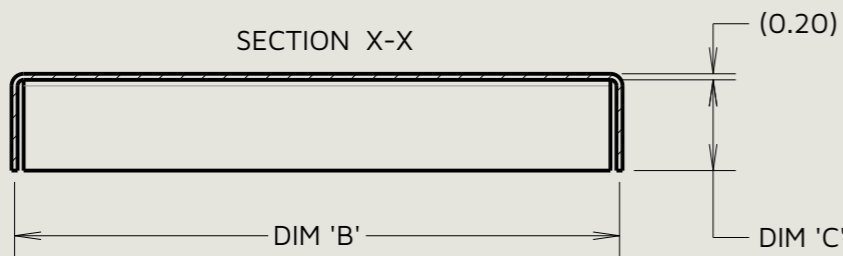
Section Y-Y



View showing corner of the shield can

Embossed part number (see Order Code).
no through cut.

SECTION X-X



SCALE 3:1

Order Code:
S02-XXXXXXXXX0

Size:
DIM 'A' = Length
DIM 'B' = Width
DIM 'C' = Height

PART No.	DIM 'A'	DIM 'B'	DIM 'C'
S02-47270250	42.0	27.0	2.5
S02-57270360	57.0	27.0	3.6

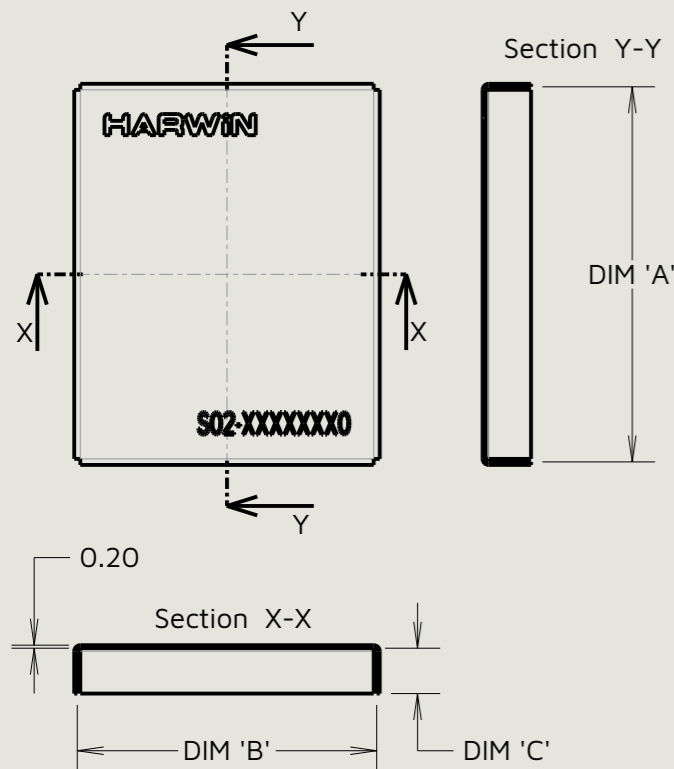
JW	8	18.12.25	37172
Initials	Rev.	Date	CO
SB	1	07.05.14	----

- Notes:
- DIM 'C', height of the can is from the bottom edge to the inside of the top face.
 - Both DIM 'A' and 'B' are from the centre of the material thickness.
 - Part numbers listed on this sheet are packed in boxes, for parts packed in tape strips, see sheet 3
 - Shield can is recommended for use with RFI shield clips: S0971-46R, S0981-46R, S0991-46R, S1001-46R AND S1721-XXR.

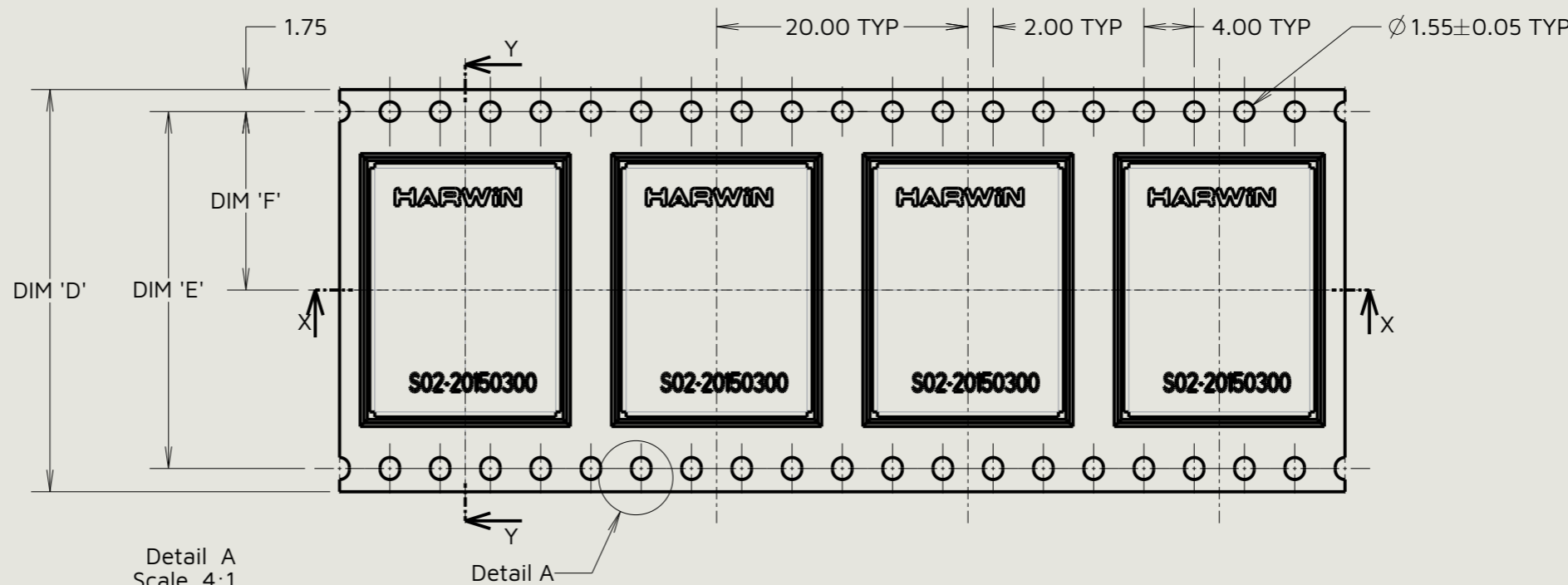
	This drawing and any information or descriptive matter set out hereon are confidential and copyright property of the Harwin group and must not be disclosed, loaned, copied or used for manufacturing, tendering or for any other purpose without their written permission.	TOLERANCES X. = ±0.50mm X.X = ±0.30mm X.XX = ±0.10mm X.XXX = ±0.01mm Angles = ±5° Unless stated	Third angle projection 	MATERIAL: Nickel Silver, Half Hard NS106, To BS1653 0.20mm Thick	Title: EZi RFI Boardware Shield Can
		Sheet scale: 4:1 Do not scale Sheet size: A3	FINISH: Unplated	Drawing number: S02-XXXXXXXXX0	SHT 2 OF 3

Customer Information Sheet

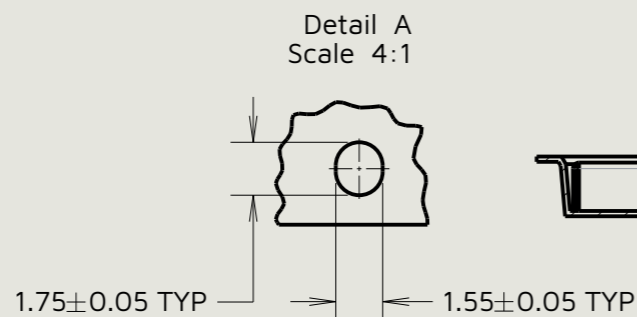
Variants supplied in tape strips.



SCALE 2:1



Section Y-Y



1.75±0.05 TYP 1.55±0.05 TYP

PART No.	DIM 'A'	DIM 'B'	DIM 'C'
S02-20150300	20.0	15.0	3.0
S02-25200300	25.0	20.0	3.0
S02-30200250	30.0	20.0	2.5


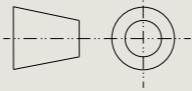
PART No.	DIM 'D'±0.3	DIM 'E'	DIM 'F'	DIM 'G'	DIM 'H'
S02-20150300	32.00	28.40	14.20	20.60	15.60
S02-25200300	44.00	40.40	20.20	25.45	20.45
S02-30200250	44.00	40.40	20.20	30.60	20.60

Order Code:
S02-XXXXXXX0

Size:
 DIM 'A' = Length
 DIM 'B' = Width
 DIM 'C' = Height

JW	8	18.12.25	37172
Initials	Rev.	Date	CO
SB	1	07.05.14	-----

- Notes:
- Part numbers listed on this sheet are supplied in strips of tape. Supplied quantity may consist of more than one strip. Strip length may vary.
 - Large QTY's may be shipped on a reel and may not have a leader.
 - S02-20150300 shown for illustrative purposes. See table and order code for dimensions.

 www.harwin.com	This drawing and any information or descriptive matter set out hereon are confidential and copyright property of the Harwin group and must not be disclosed, loaned, copied or used for manufacturing, tendering or for any other purpose without their written permission.	TOLERANCES X. = ±0.50mm X.X = ±0.30mm X.XX = ±0.10mm X.XXX = ±0.01mm Angles = ±5° Unless stated	Third angle projection  Sheet scale: 2:1 Do not scale Sheet size: A3	MATERIAL: See above FINISH: Unplated	Title: EZi RFI Boardware Shield Can Drawing number: S02-XXXXXXX0	SHT 3 OF 3
--	---	---	---	---	--	---------------------