

# OBO PRO.2 INC.

No. 224-9, LANE 105, YUNG-FENG ROAD, PA-TE CITY, TAOYUAN, TAIWAN, R.O.C.  
 TEL: 886-3-361-4436 FAX: 886-3-361-4437  
 E-MAIL: obo@obopro2.com.tw Website: www.obo.com.tw

## SPECIFICATION

### 1. SCOPE

This specification is applied to the piezoelectric diaphragm.

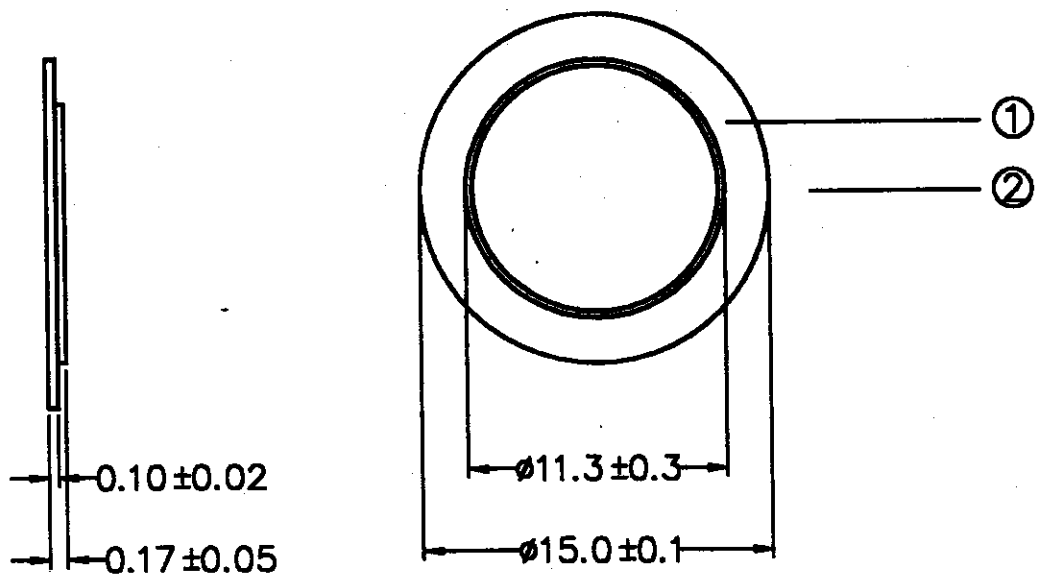
2. MODEL NO. : OBO-TE15241-16




### 3. SPECIFICATION(at 25 °c)

- 3.1 Resonant Frequency :  $4.1 \pm 0.6$  KHz
- 3.2 Resonant Resistance : 500  $\Omega$  max
- 3.3 Capacitance : 21,000pF  $\pm$  30% at 120Hz
- 3.4 Input Voltage : 30Vp-p max.
- 3.5 Operating Temperature : -20°C to +60°C
- 3.6 Storage Temperature : -20°C to +70°C
- 3.7 Dimension : as per Figure 1.

- ① Piezoelectric Ceramics
- ② Brass Plate

Figure 1. Unit :m.m



Drawing by	Checked by	Approved by	Version
 邱于芳 11/29/01	 Peter 12/4	 廖弘 90.12.4 廖仁男	C