

MODEL NO : OBO-15032F-02

Features:Conformity RoHS Directive(2002/95/EC) Requests.

1. General Specifications

Items	Spec.
Magnet	Size: $\Phi 6.5 \times 1.5 \text{mm}$
Weight	Approx 1.7 Gram
Nominal Impedance	32 Ohm $\pm 15\%$ At 1.8KHz/0.98V
Power Rating	Normal 0.03 W. Maximum 0.05 W.
Lowest Resond Frequency	680 ± 150 Hz
Output Sound Pressure Level (S.P.L)	103 ± 3 dB/0.03W/0.01M Average at 1000~2000Hz. Secundum IEC-268-5 Statute
Frequency Response Range	FO~~20KHz SPL-10dB
Distortion	5% Maximum At 1600Hz/0.03W
Abnormal Sound Test	Must be Normal Tested by 0.98Volts. Sine Wave.
Polarity	Diaphragm shall move Forward when Apply a Positive DC Current to the "+" or "Marked" Terminal.
Operating Temperature	-25°C TO +50°C
Storage Temperature	-25°C TO +55°C

2. Environmental Test

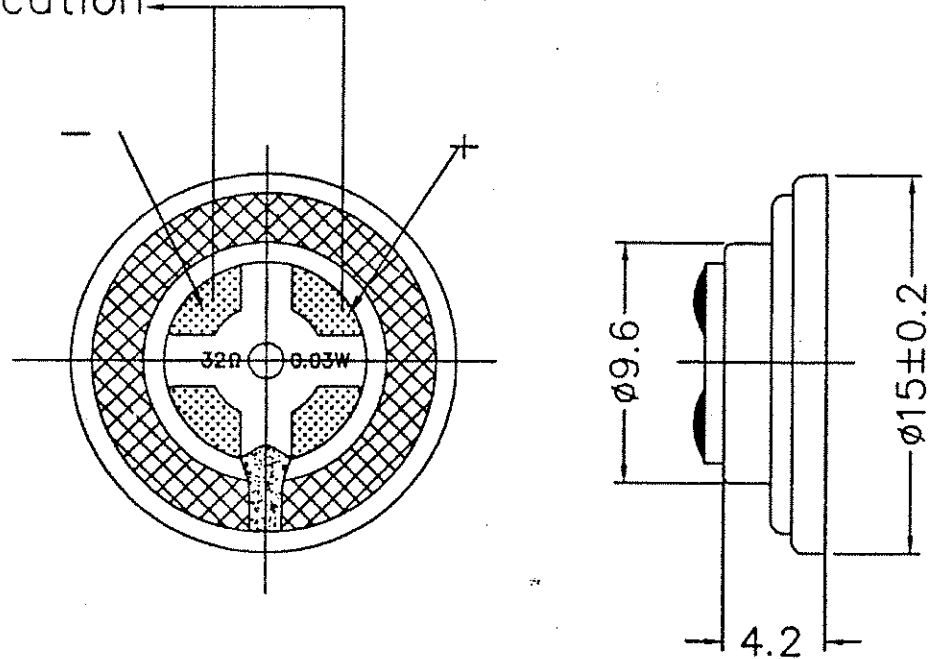
Humidity Test	Temperature	: +40°C ± 3 °C
	Relative Humidity	: 90% ~ 95%
	Duration	: 96 Hours
	Duration of recovery:	: 6 Hours
Temperature Cycle Test	Temperature	: +55°C \rightarrow +25°C \rightarrow -25°C \rightarrow +25°C
	Duration	: 1Hour 1Hour 1Hour 1Hour
	Cycle	: 3Cycles
Vibration Test	Vibration Direction	: 3 axes
	Mounting	: Unit Shall Be Rigidly Restrained On The Table
	Frequency	: 1,000 Cycle/Minute
	Amplitude	: 1.5m/m
	Endurance	: 1 Hour in Each Plane
Duration of Transfer Time		: Less Than 5Minutes
Load Test	White Noise With Weighted Filter 0.98 Volts.(RSM) 100 Hrs 20~20,000Hz Resonant Fequency.	
Drop Test	75cm Free Falling On Counter Floor,10 Times	

3. Appearance Drawing

3.1. Dimensions

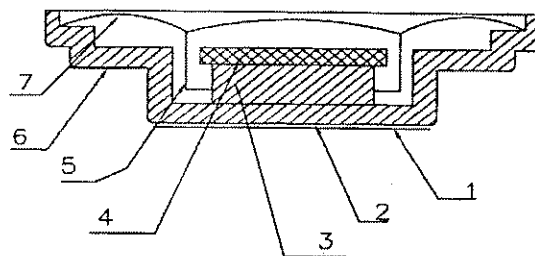
Unit: mm Tolerance: ±0.3

soldering Location →



PCB Soldering Temperature 380°C Max For 3 Seconds.

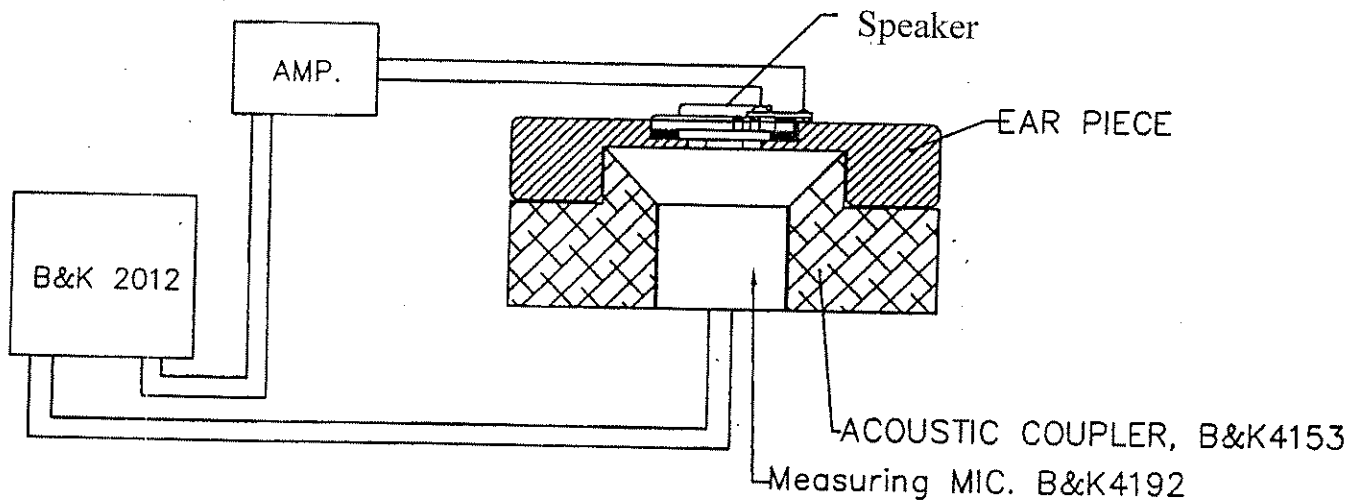
3.2. Construction Diagram



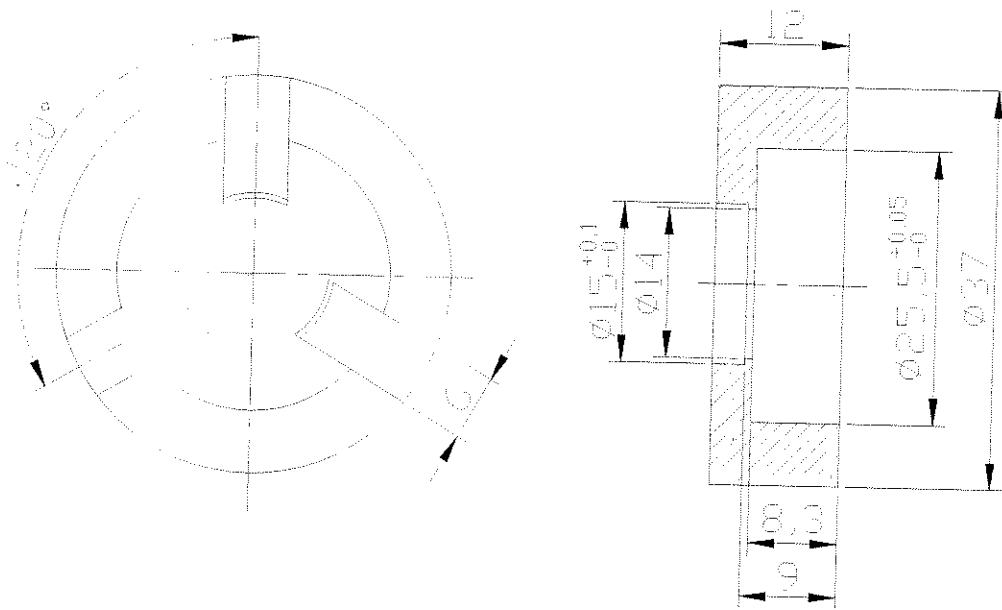
9			
8			
7	DIAPHRAGM	MYLAR	1
6	CLOTH	CLOTH	1
5	VOICE COIL	DIA 7.4mm	1
4	WASHER	SPCC	1
3	MAGNET	NdFeB N3.5	1
2	YOKE	SPCC	1
1	TERMINAL	P.C.B	1
NO	PART NAME	MATERIAL	Q'TY

4. Test Method

4.1 Measurement Diagram ※1

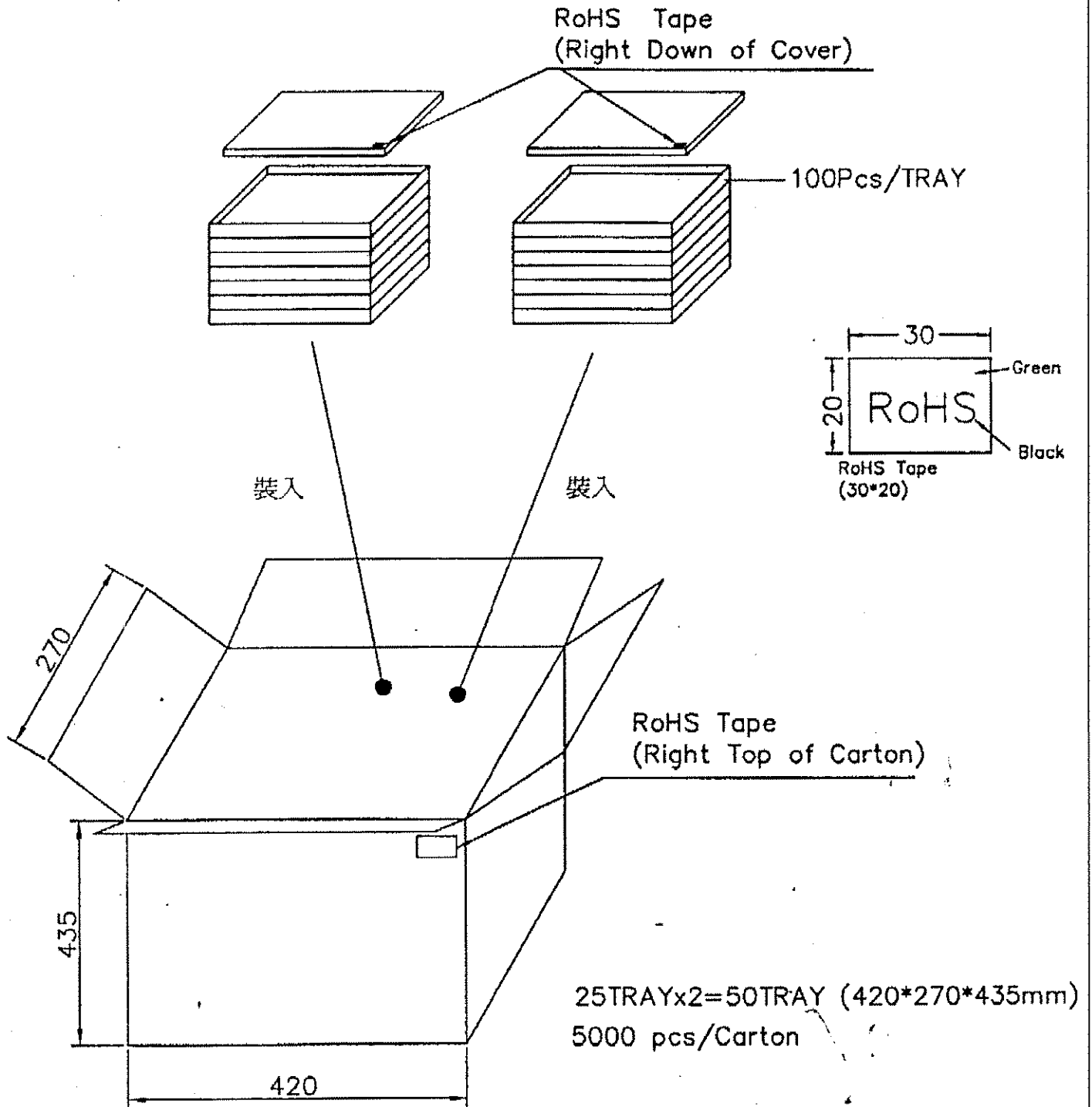


4.2 EAR PLECE



Unit:mm Tolerance:±0.1

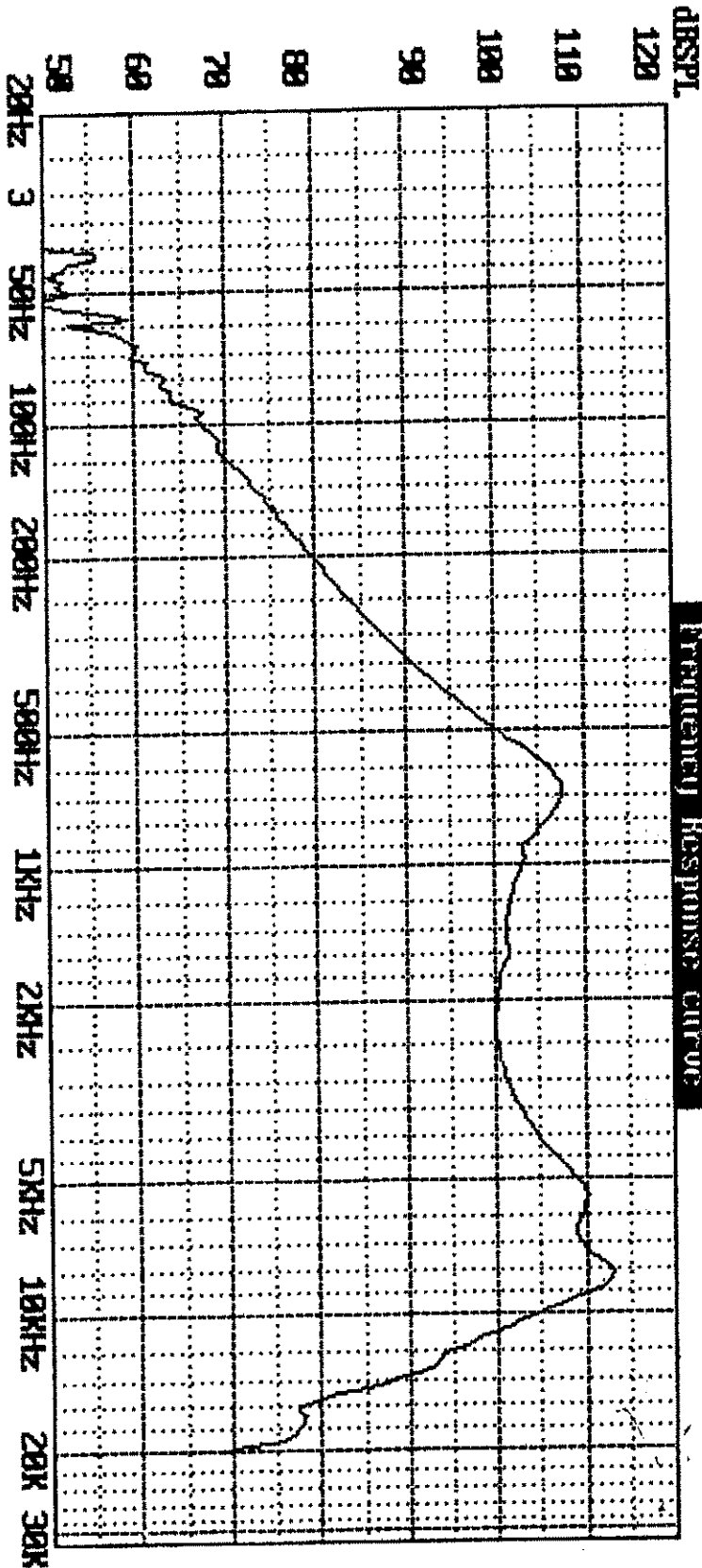
5. PACKAGING



6. Frequency Response

Firm: OBO-15032F-02 Model: OBO-15032F-02 DATE: 06-08-2006 TIME: 10:02:03
1000Hz Sens. = 103.2dB SPL Pass F.R.: Pass DCR: 34.1Ω Pass
Average SPL: 101.7dB SPL Pass (1000:1200:1500:2000Hz) Sweep Speed: 1/24 Oct.

B 6.11



Voltage applied for **F.R.** = 0.988V **Start F.** = 20Hz **Stop F.** = 20000Hz
Measuring Distance = 0.01M

Mfg.: OBO-15032F-02

Measured using Sunlight 1600; Fax: 886-2-22238727