



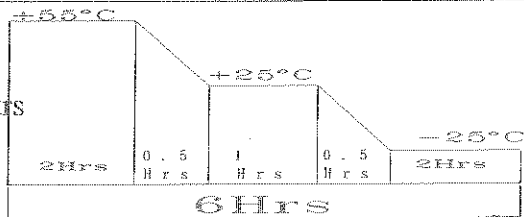
MODEL NO : OBO-28004F-01

Features: Conformity Rosh Directive (2002/95/EC) Requests.

### 1. General Specifications

Items	Spec.
Magnet	Materials : NDFEB Size:Φ9.5*1.5mm
Weight	Approx 5.9Gram
Nominal Impedance	4 Ohm±15% At 1000Hz/1.0V
Power Rating	Normal 1.0W. Maximum 1.5 W.
Lowest Resend Frequency	600±150Hz
Output Sound Pressure Level (S.P.L)	84±3 dB/1W/0.5M Average at 1000,1200,1500,2000 Hz.
Frequency Response Range	350~8000 Hz SPL-10dB
Distortion	5% Max at 2400Hz/1W
Abnormal Sound Test	Must be Normal Tested by 2. 0Volts. Sine Wave.
Polarity	Diaphragm shall move Forward when Apply a Positive DC Current to the "+" or "Marked" Terminal.
Operating Temperature	-20°C TO +50°C
Storage Temperature	-25°C TO +55°C

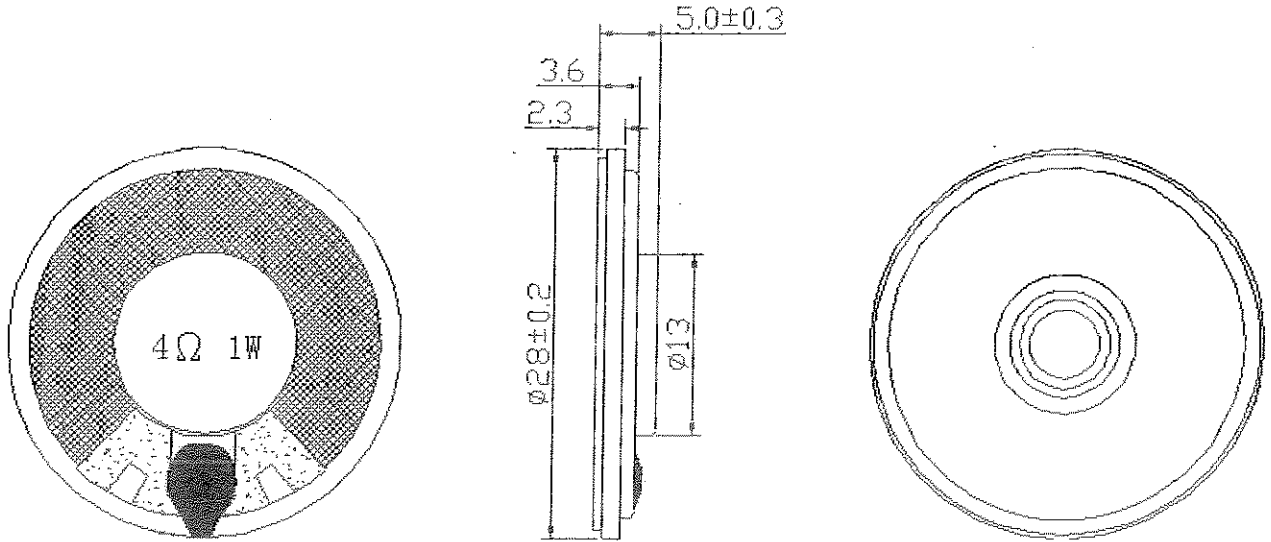
### 2. Environmental Test

Humidity Test	Temperature: +40°C±3°C Relative Humidity: 90% ~ 95% Duration: 96 Hours Duration of recovery: 6 Hours
Temperature Cycle Test	Low Temperature: -25°C+3°C High Temperature: +55°C+3°C Duration of Transfer Time: Less Than 0.5Hours Cycle: 5 Cycles 
Temperature Test	High Temperature: After Being Placed in a Chamber at +55°C for 96 Hours Low Temperature: After Being Placed in a Chamber at -25°C for 96 Hours
Vibration Test	Vibration Direction: 3 axes Mounting: Unit Shall Be Rigidly Restrained On The Table Frequency: 1,000 Cycle/Minute Amplitude: 1.5m/m Endurance: 1 Hour in Each Plane Duration of Transfer Time: Less Than 5Minutes
Load Test	White Noise With Weighted Filter 2. 0Volts.(RMS) 96 Hrs. 20~20,000Hz Resonant Frequency.
Drop Test	Drop the speakers contained in normal box onto the board 40mm thick 10 time from the height of 75 cm .

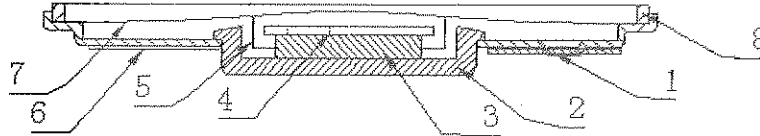
### 3. Mechanical Layout And Dimensions

#### 3.1 Dimensions

Unit: mm Tolerance:±0.5



#### 3.2 Construction Diagram

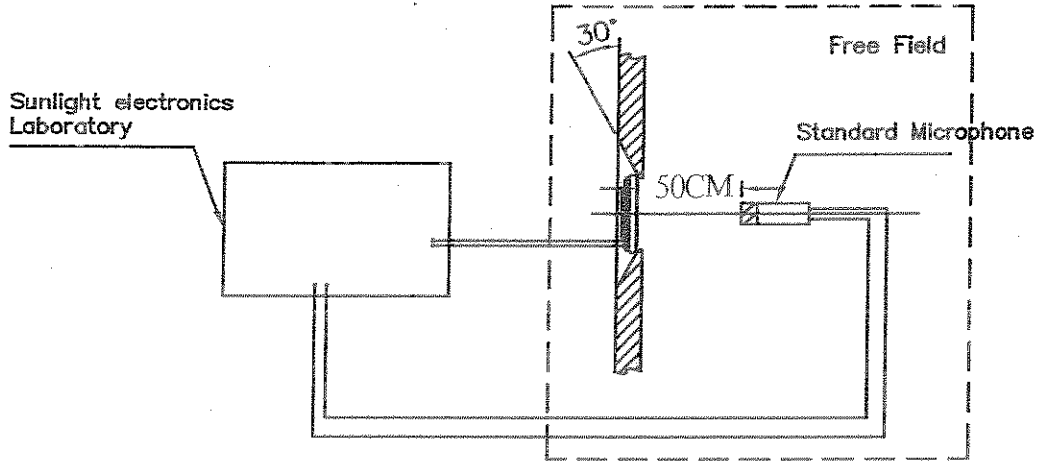


10			
9			
8	GASKET	ABS	1
7	DIAPHRAGM	MYLAR	1
6	CLOTH	CLOTH	1
5	VOICE COIL	DIA 10.3mm	1
4	WASHER	SPCC	1
3	MAGNET	NdFeB	1
2	YOKE	SPCC	1
1	TERMINAL	P.C.B	1
NO	PART NAME	MATERIAL	Q'TY

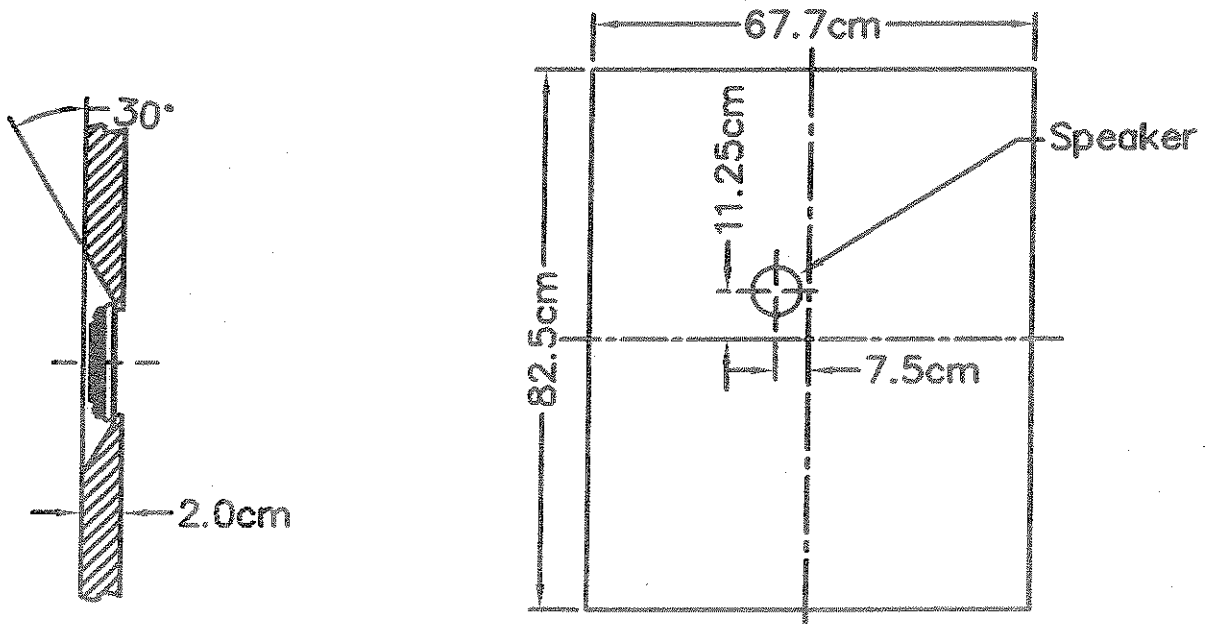
### 4. Test Method

#### 4.1 Measurement Diagram

Electro acoustic  
Testing Adapter



#### 4.2 Standard Baffle



# OBO Pro.2

## SPECIFICATIONS

MODEL NO  
OBO-28004F-01

PART NAME  
DYNAMIC SPEAKER

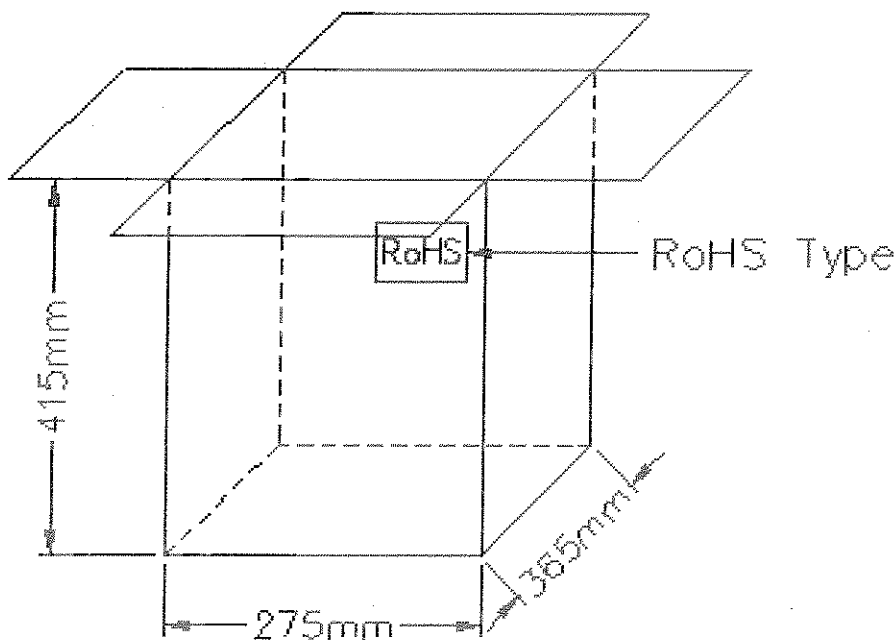
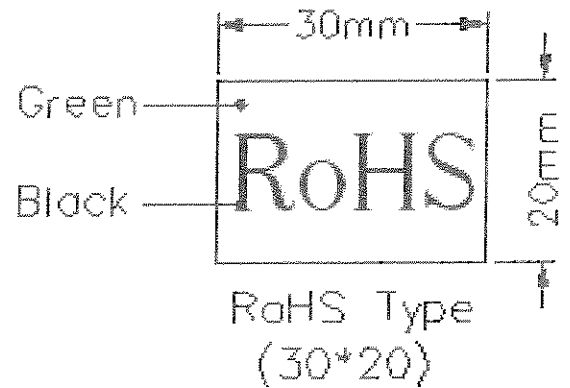
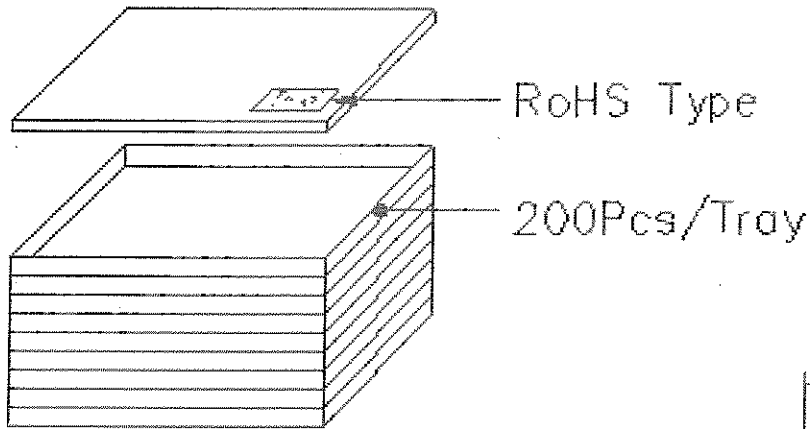
SHEET  
OBO SDF 5 INC.

2013 JAN 25

文件发行章

### 5.Packing

※1



2000Pcs/Carton  
10Tray(275\*365\*415mm)

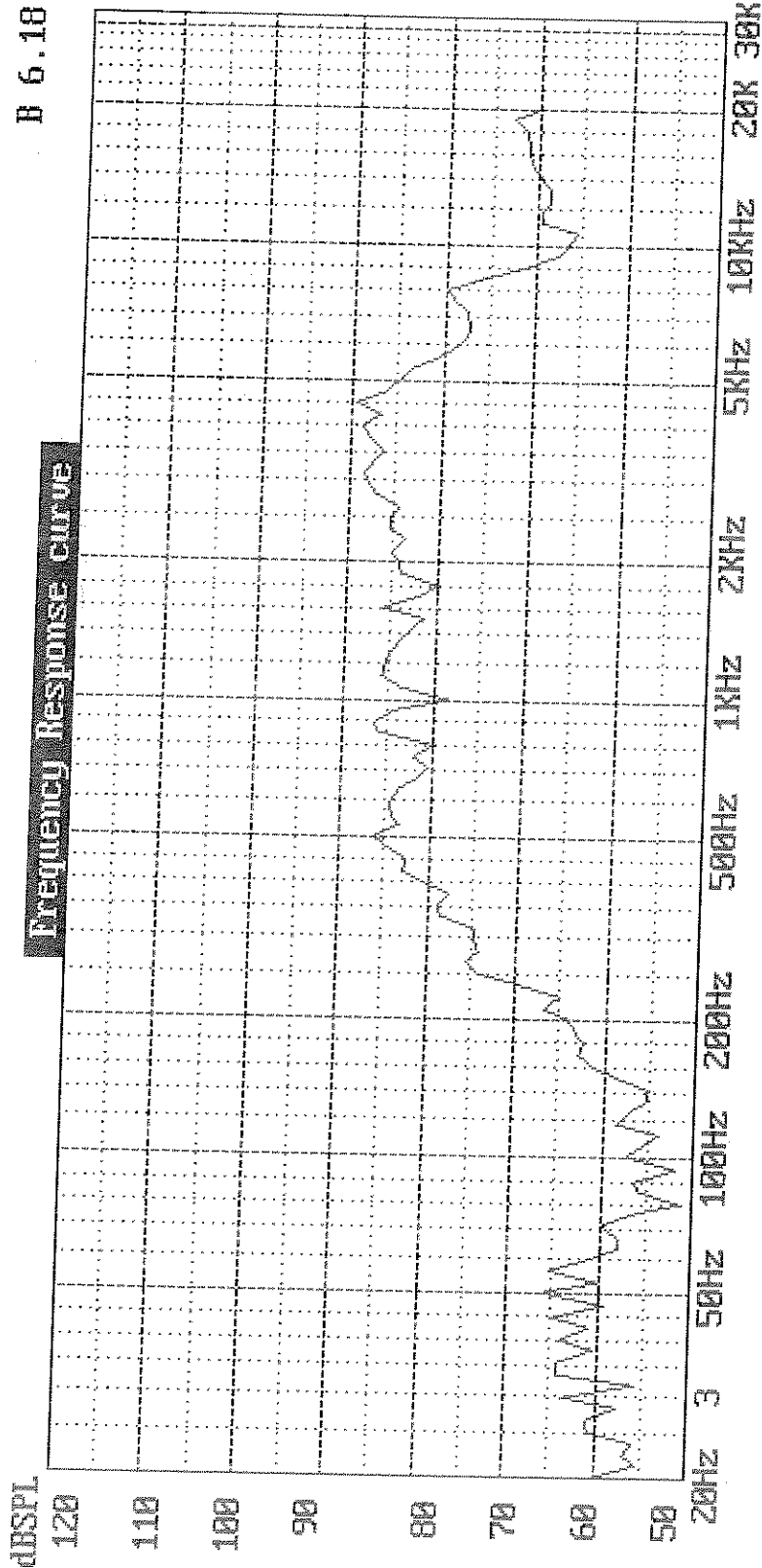
24

Firm: OBO  
 Model: 28004E-01  
 1000Hz Sens.: = 70.2dB SPL Pass  
 F.R.: Pass  
 DCR: 4.400 Pass  
 Average SPL: 62.3dB SPL Pass  
 (1000;1200;1500; 2000Hz) Sweep Speed: 1/12 Oct.

DATE: 01-23-2013

TIME: 12:03:43

B 6.18



Voltage applied for F.R. = 2.000V  
 Measuring Distance = 0.50M  
 Start F. = 20Hz  
 Stop F. = 20000Hz

OBO PRO. 2 IN  
 2013 JAN 25  
 文件发行章

Mfg.:  
 Measured using Sunlight 1500; Fax: 886-2-22230727