



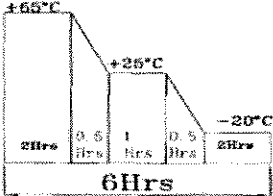
MODEL NO : OBO-28008F-65

Features:Conformity RoHS Directive(2002/95/EC) Requests.

### 1. General Specifications

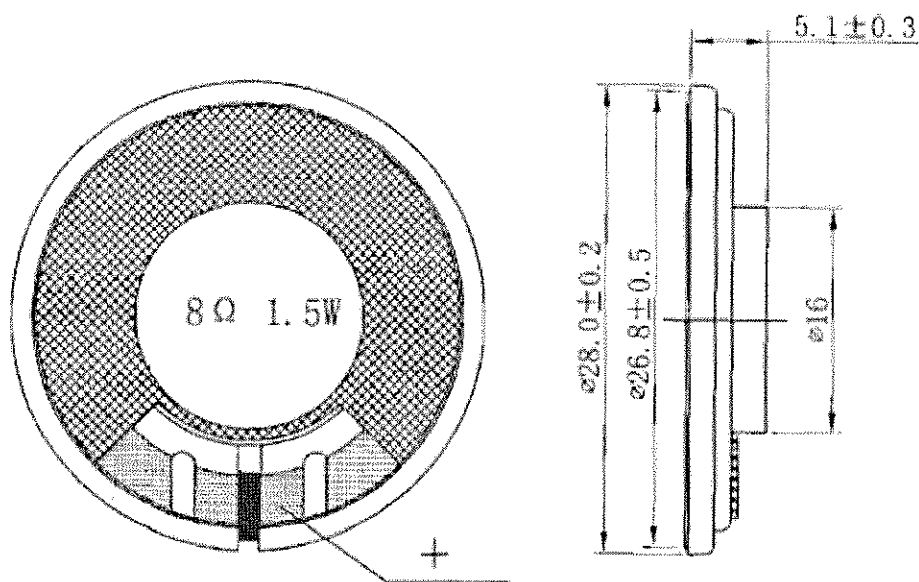
Items	Spec.
Magnet	Φ12*1.5mm
Weight	Approx 7.0 Gram
Nominal Impedance	8 Ohm±15% At 1KHz/1V
Power Rating	Normal 1.5 W. Maximum 2.0 W.
Lowest Resond Frequency	500±100Hz
Output Sound Pressure Level (S.P.L)	95 +/- 3 dB/1W/0.1M Average at 1000,1200,1500,2000Hz.
Frequency Response Range	FO~20KHz SPL-10dB
Distortion	<10%/1KHz/1.5W
Abnormal Sound Test	Must be Normal Tested by 3.46Volts. Sine Wave.
Polarity	Diaphragm shall move Forward when Apply a Positive DC Current to the "+" or "Marked" Terminal.
Operating Temperature	-25°C TO +60°C
Storage Temperature	-25°C TO +65°C

### 2. Environmental Test

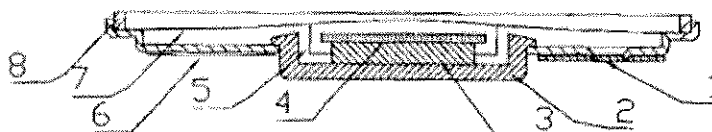
Humidity Test	Temperature: +40°C±3°C Relative Humidity: 90% ~ 95% Duration: 96 Hours Duration of recovery: 6 Hours
Temperature Cycle Test	Low Temperature: -20°C±3°C High Temperature: +65°C±3°C Number of Cycle: 5Cycles Duration of Transfer Time Less Than 0.5 Hours. 
Load Test	White Noise With Weighted Filter 3.46 Volts.(RSM) 96 Hrs 20~20,000Hz Resonant Fequency.
Drop Test	Drop The Speakers Contained In Normal box Onto The board 40mm Thick 10 Times From The Height Of 75CM.
Vibration Test	Vibration Direction: 3 axes Frequency: 1,000 Cycle/Minute Amplitude: 1.5m/m Endurance: 1 Hour in Each Plane
High test	After Being Placed In A Chamber At +65°C For 96 Hours
Low test	After Being Placed In A Chamber At -20°C For 96 Hours

### 3. Appearance Drawing

Unit: mm Tolerance:±0.5



### Speaker Construction

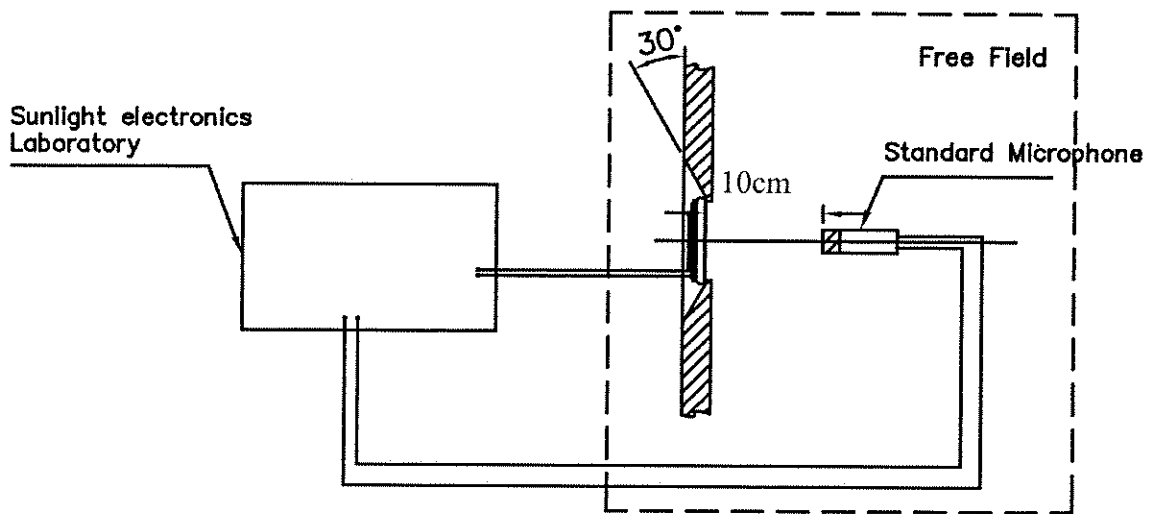


10			
9			
8	GASKET	ABS	1
7	DIAPHRAGM	MYLAR	1
6	CLOTH	CLOTH	1
5	VOICE COIL	DIA 13.25mm	1
4	WASHER	SPCC	1
3	MAGNET	NdFeB	1
2	YOKE	SPCC	1
1	TERMINAL	P.C.B	1
NO	PART NAME	MATERIAL	Q'TY

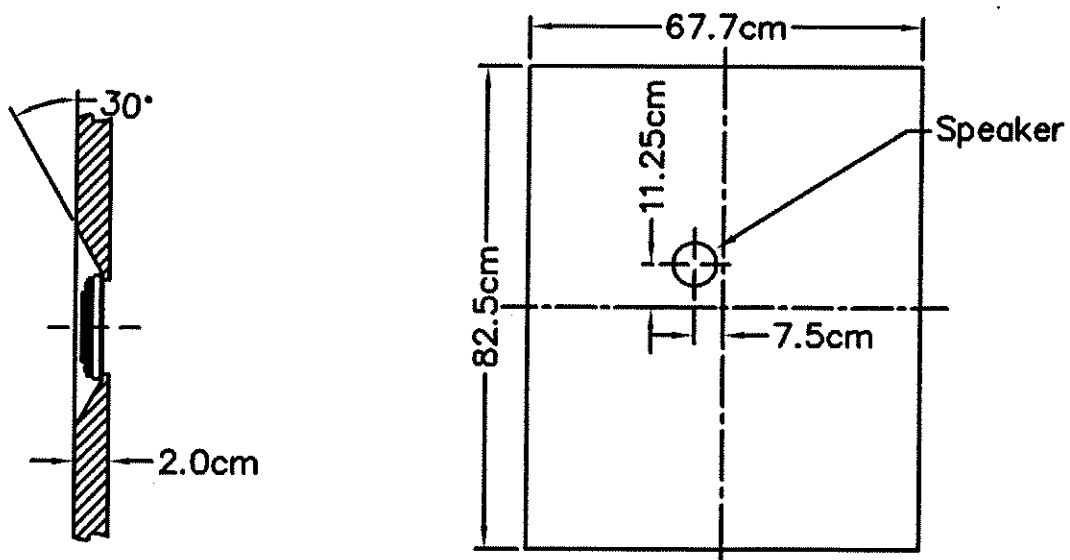
### 4. Test Method

#### 4.1 Measurement Diagram

Electroacoustic  
Testing Adapter



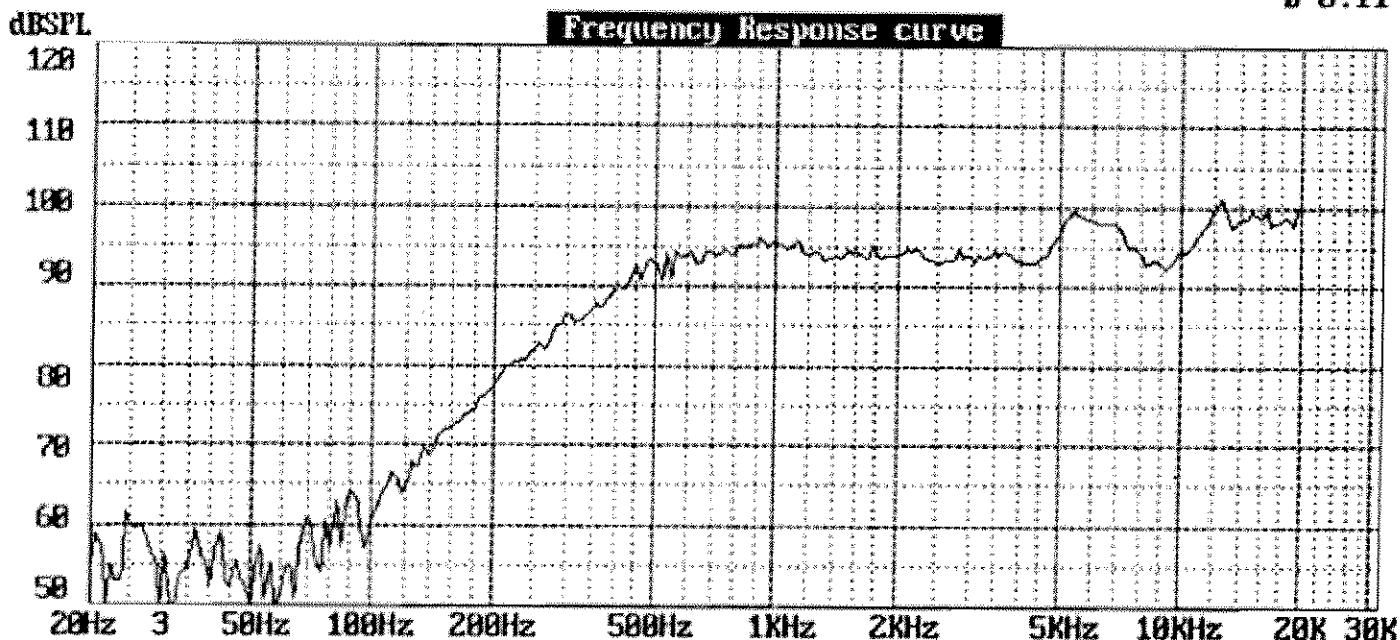
#### 4.2 Standard Baffle



### 5. Frequency Response

Firm: OBO      Model:      DATE: 05-25-2009      TIME: 22:13:04  
1000Hz Sens. = 95.6dB SPL Pass      F.R.: Pass      DCR: 6.36Ω Pass  
Average SPL: 94.6dB SPL Pass      (1000;1200;1500; 2000Hz) Sweep Speed: 1/24 Oct.

B 6.11



Voltage applied for **F.R.** = 2.830V  
Measuring Distance = 0.10M

**Start F.** = 20Hz

**Stop F.** = 20000Hz

# OBO Pro.2

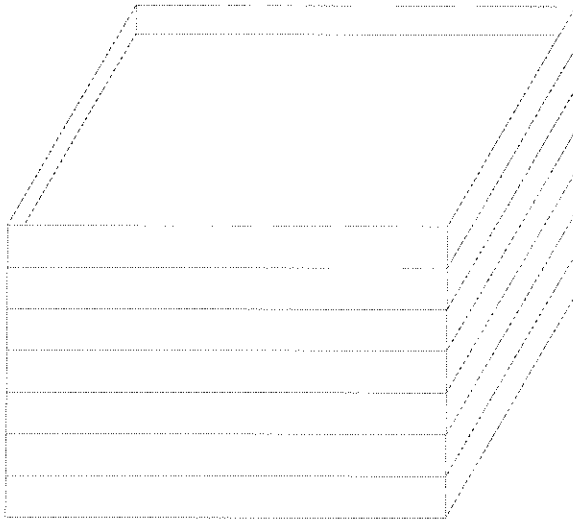
## SPECIFICATIONS

MODEL NO  
OBO-28008F-65

PART NAME  
DYNAMIC SPEAKER

SHEET  
6 OF 6

### 6.PACKAGING



每層保力龍裝200個喇叭  
共10層

