

OBO Pro.2

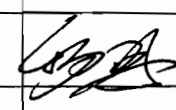
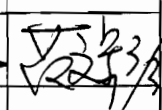
SPECIFICATIONS

MODEL NO
OBO-36008F-10

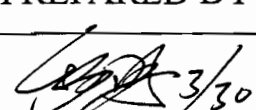
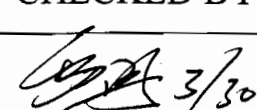
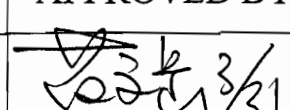
PART NAME
DYNAMIC SPEAKER

SHEET
1 OF 6

ALTERNATION HISTORY

Marking	Date	ECN NO.	REV.	Description	Page	PREPARE BY	APPROVE BY
※1	AUG,02,06	DG0608001	B	Change To ROHS Type	7	蔡愛國	王克忠
※2	MAR,30,09	DG0903013	C	Change Spec	6		

OBO PRO.2 INC.
2009 APR 01
文件发行章

REV.	DATE	PREPARED BY	CHECKED BY	APPROVED BY
C	MAR,30,09	 3/30	 3/30	 3/31

OBO Pro.2**SPECIFICATIONS**MODEL NO
OBO-36008F-10PART NAME
DYNAMIC SPEAKERSHEET
2 OF 6

MODEL NO : OBO-36008F-10 ※1

Features:Conformity RoHS Directive(2002/95/EC) Requests.

1. General Specifications

OBO PRO.2 INC.
2003 APR 01
文件发行章

Items	Spec.
Magnet	Materials Rare Earth Size: $\Phi 12.5 \times 1.5 \text{mm}$
Weight ※2	Approx 8.2 Grams
Nominal Impedance	8 Ohm $\pm 15\%$ At 1400 Hz /1.0V
Power Rating	Normal 1.0W. Maximum 2.0W.
Lowest Resonant Frequency	640 ± 150 Hz.
Output Sound Pressure Level (S.P.L)	89 ± 3 dB /1.0W/0.5Meter (Secundum IEC-268-5 Statute) Average at 1000,1200,1500,2000Hz.
Frequency Range	380 ~ 5600 Hz. Average SPL -10dB.
Distortion	5% Maximum At 1000Hz/1.0W
Abnormal Sound Test	Must be Normal Tested by 2.83Volts. Sine Wave.
Polarity	Diaphragm shall move Forward when Apply a Positive DC Current to the "+" or "Marked" Terminal.
Operating Temperature	-25 $^{\circ}\text{C}$ to +50 $^{\circ}\text{C}$
Storage Temperature	-25 $^{\circ}\text{C}$ to +55 $^{\circ}\text{C}$

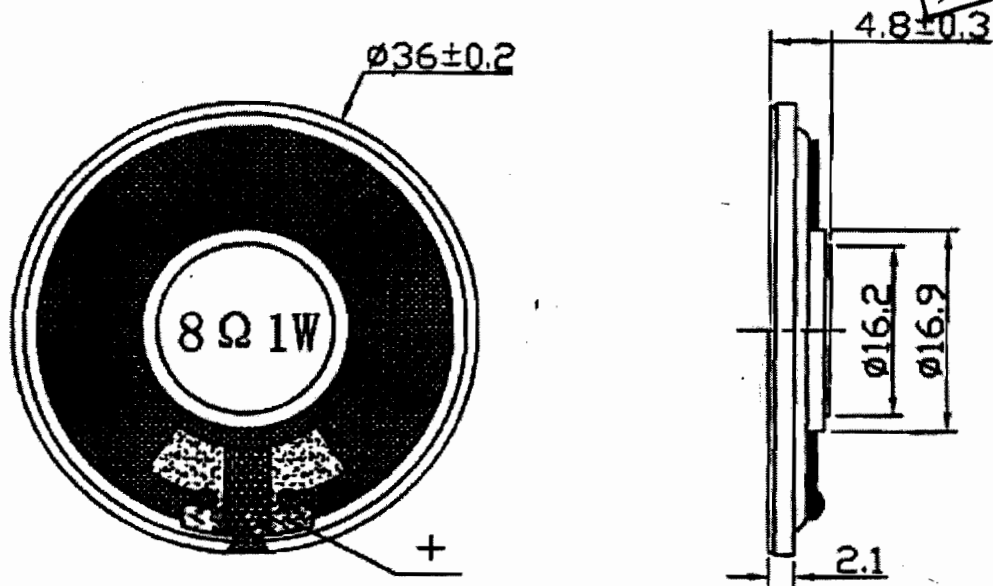
2. Environmental Test

Humidity Test	Temperature:	+40 $^{\circ}\text{C} \pm 3^{\circ}\text{C}$
	Relative Humidity:	90% ~ 95%
	Duration:	96 Hours
	Duration of recovery:	6 Hours
Temperature Cycle Test	Temperature:	+55 $^{\circ}\text{C} \rightarrow +25^{\circ}\text{C} \rightarrow -25^{\circ}\text{C} \rightarrow +25^{\circ}\text{C}$
	Duration:	1Hour 1Hour 1Hour 1Hour
	Cycle:	3 Cycles
Vibration Test	Vibration Direction:	3 axes
	Mounting:	Unit Shall Be Rigidly Restrained On The Table
	Frequency:	1,000 Cycle/Minute Amplitude
	Endurance:	1 Hour in Each Plane
	Duration of Transfer Time:	Less Than 5Minutes
Load Test	White Noise With Weighted Filter 2.83 Volts.(RMS) 96 Hrs. 20~20,000Hz Resonant Frequency.	
Drop Test	75cm Free Falling On Concrete Floor, with 10 times.	

OBO PRO.2 INC.
2019 APR 01
文件发行章

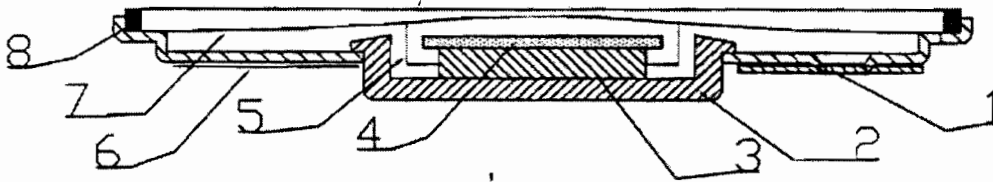
3. Mechanical Layout And Dimensions

3.1 Dimensions



Unit: mm Tol:±0.5

3.2 Construction Diagram



※2

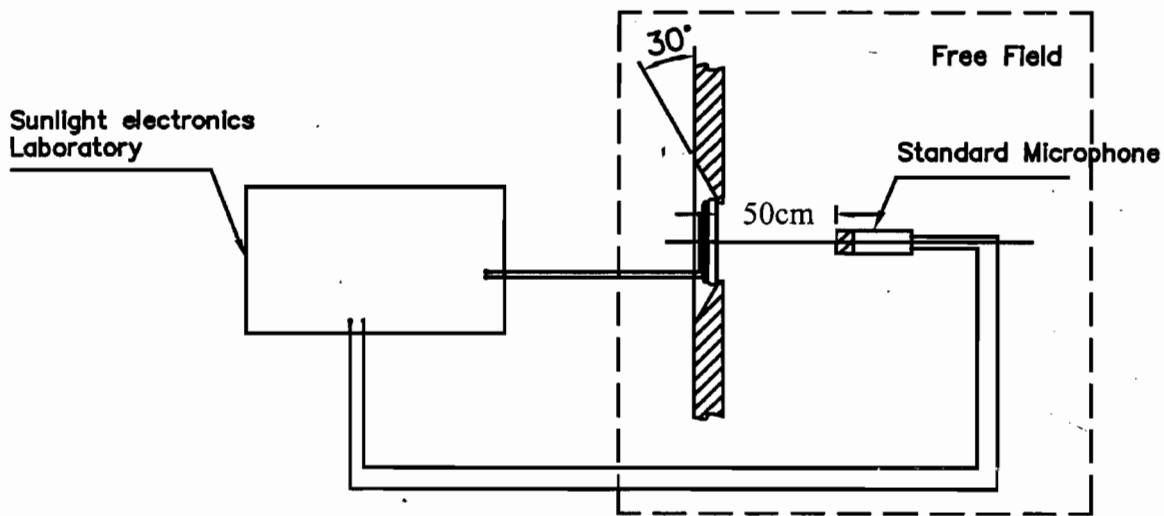
10			
9			1
8	GASKET	ABS	1
7	DIAPHRAGM	MYLAR PET	1
6	CLOTH	CLOTH	1
5	VOICE COIL	DIA 13.28mm	1
4	WASHER	SPCC	1
3	MAGNET	NdFeB	1
2	YOKE	SPCC	1
1	TERMINAL	P.C.B	1
NO	PART NAME	MATERIAL	Q'TY

OBO PRO.21A
2000 APR 01
文件发行章

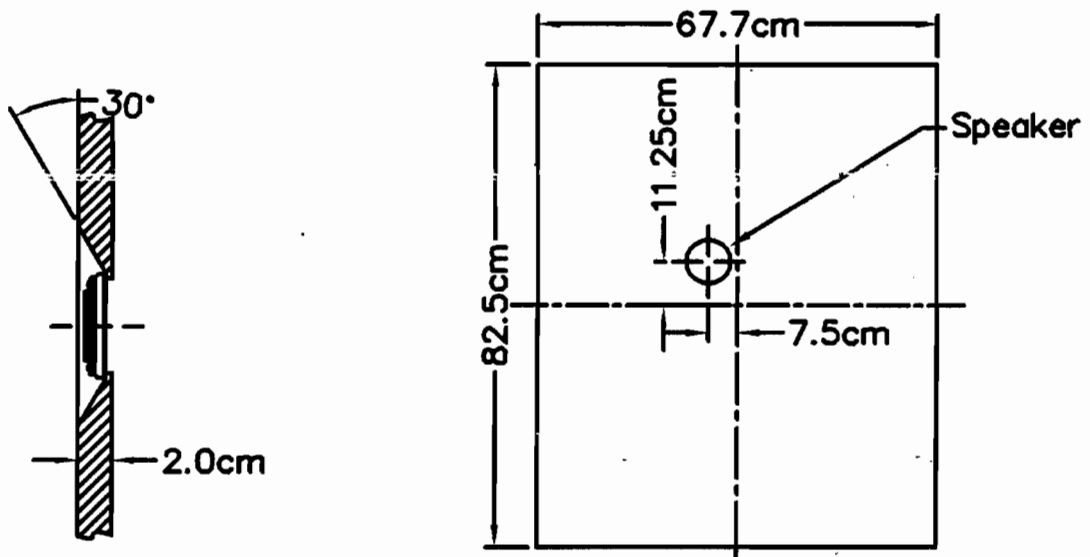
4. Test Method

4.1 Measurement Diagram

Electroacoustic
Testing Adapter



4.2 Standard Baffle



OBO Pro.2

SPECIFICATIONS

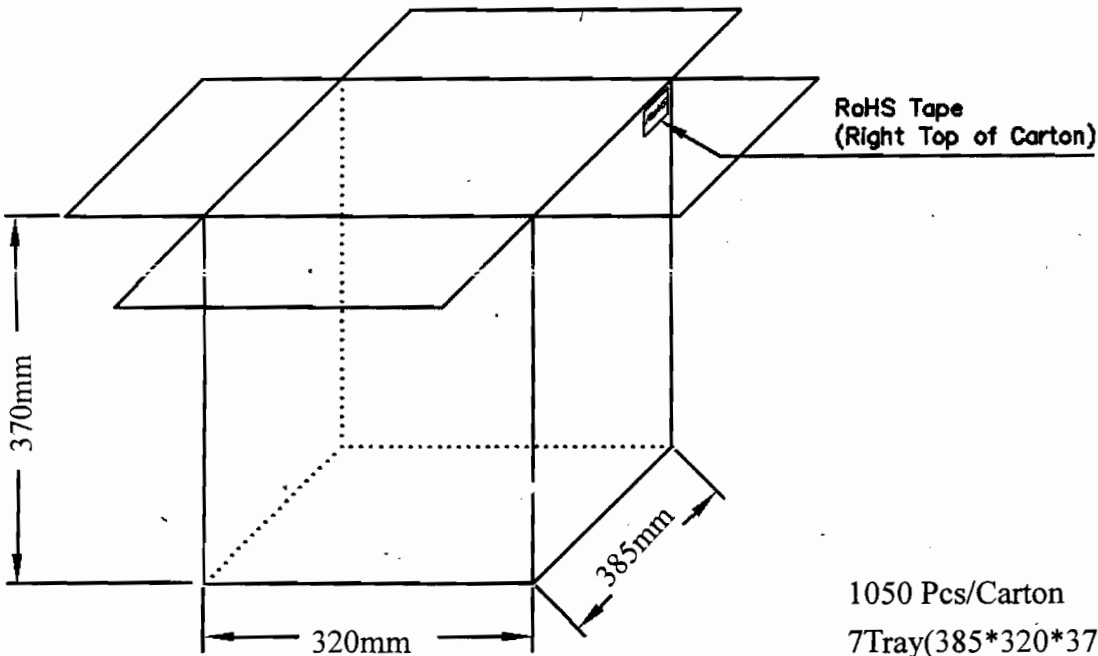
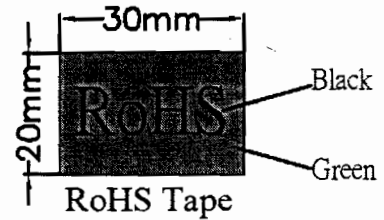
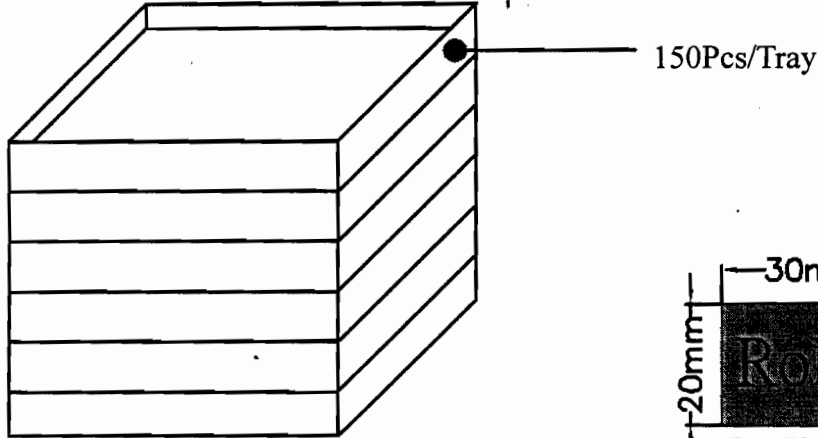
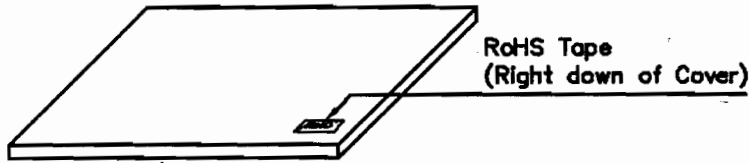
MODEL NO
OBO-36008F-10

PART NAME
DYNAMIC SPEAKER

SHEET
5 OF 6

OBO PRO.2 1NF
2009 APR 01
文件发行章

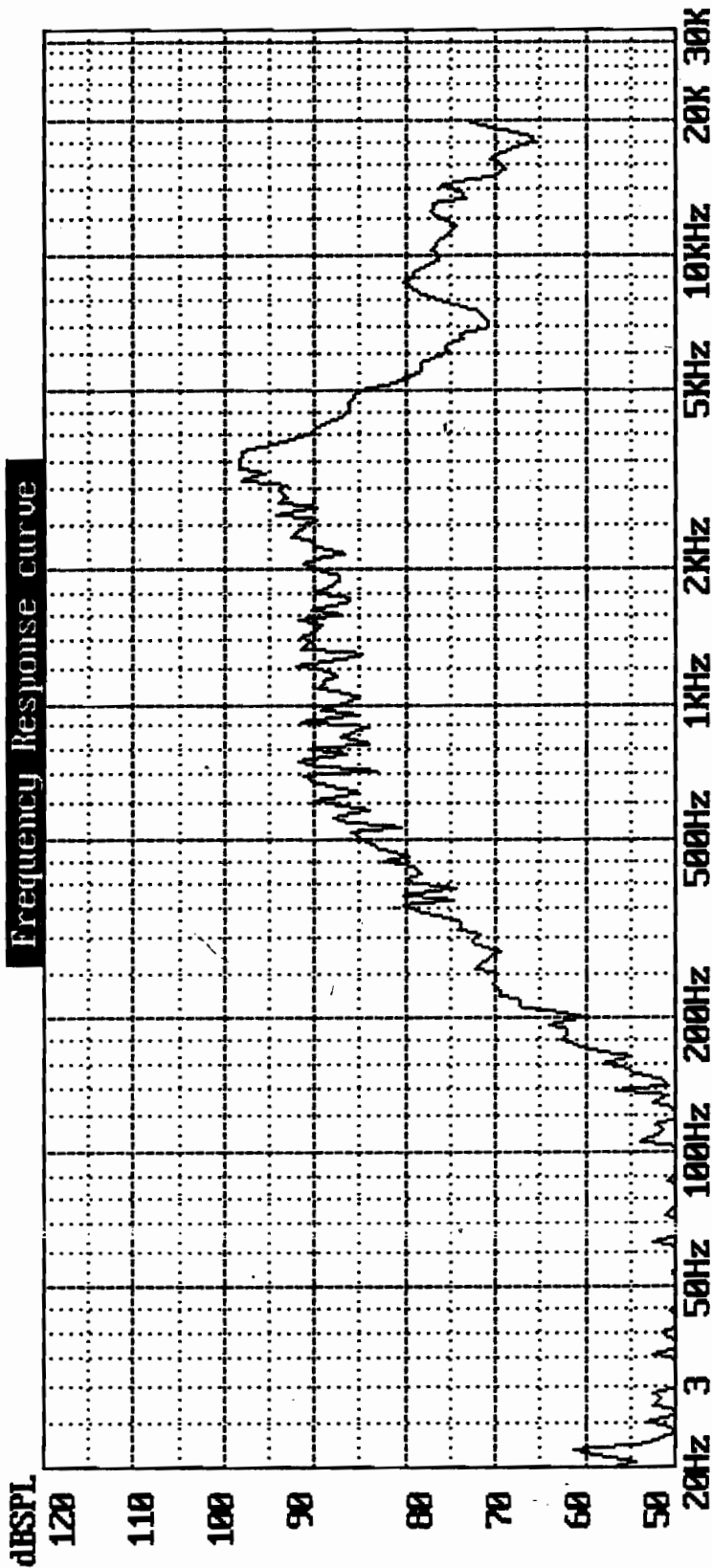
5.Packing



1050 Pcs/Carton
7Tray(385*320*370mm)

Firm: OBO Model: 3600BF-10 DATE: 03-30-2009 TIME: 10:16:57
 1000Hz Sens. = 87.4dB SPL Pass F.R.: Pass DCR: 8.54Ω Pass
 Average SPL: 88.8dB SPL Pass (1000;1200;1500; 2000Hz) Sweep Speed: 1/24 Oct.

B 6.11



Voltage applied for F.R. = 2.830V Start F. = 20Hz Stop F. = 20000Hz
 Measuring Distance = 0.50M

Mfg.:

Measured using Sunlight 1600; Fax: 886-2-22230727

OBI PPO.2INC.
 2009 APR 01
 文件发行章