



**OBO Pro.2****SPECIFICATIONS****MODEL NO.**  
OBO-1205F-A2**PART NAME**  
Magnetic Transducer**SHEET**  
2 OF 4**MODEL NO : OBO-1205F-A2****Features :** Conformity RoHS Directive ( 2002/95/EC ) Requests.**1.General Specifications :**

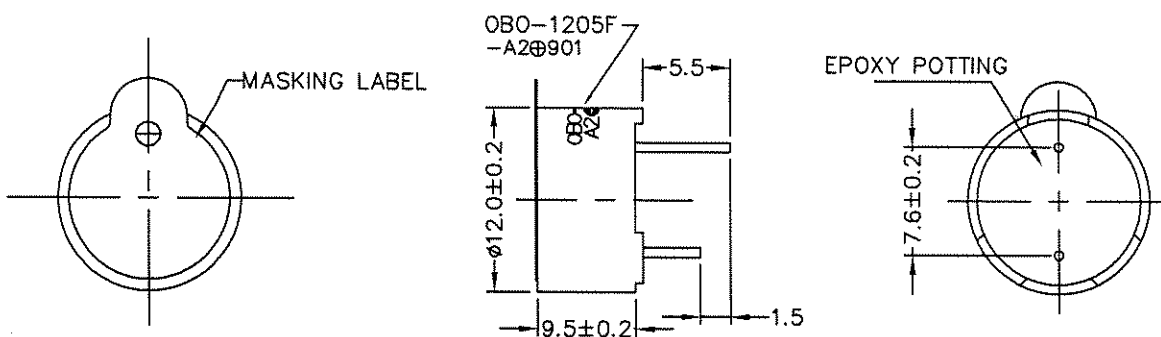
Items	Specification
※ Sound Pressure Level	85dB min./10cm/DC 5V
Rated Voltage	DC 5V
※ Resonant Frequency	2300 ± 300 Hz
※ Rated Current	30 mA max./DC 5V
Operating Voltage	DC 3 to 7V
Housing Material	NORYL
Operating Temp. Range	-30°C to +70°C
Storage Temp Range	-30°C to +80°C
Weight	2.0 gms

**2.Mechanical Layout and Dimensions :**

※ Value applying rated voltage.(DC)

**2.1 Shape & Dimensions**

Unit:mm Tolerance:±0.5



Wave Solder and Wash Allowed

### 2.2 Meaning of Stamp Mark

901 : Production Period

9 : Year 2009 (last 1 figures of the year)

01 : Week (01~55)

### 3.Soldering Condition :

#### 3.1 Wave Soldering

Peak temperature	Dipping time	Soldering
+ 260°C	5 seconds	1 time

#### 3.2 Hand Soldering

Iron Tip Temperature	Soldering time
+ 380°C	Duration 3 seconds Max.

**OBO.Pro.2**

**SPECIFICATIONS**

**MODEL NO.**  
OBO-1205F-A2

**PART NAME**  
Magnetic Transducer

**SHEET**  
4 OF 4

**4.Packing Information :**

