

OBO Pro.2

SPECIFICATIONS

MODEL NO.
OBO-11240WA

PART NAME
Piezoelectric Buzzer

SHEET
1 OF 7

ALTERNATION HISTORY

Marking	Date	EC NO.	REV.	Description	Page	PREPARE BY	APPROVE BY
---	JUN,30,2003	---	A	New Document	7	DARREN	
1	SEP,09,2003	0307017	B	Change S.P.L 57dB Min at 2KHz &4KHz → 65dB Min at 4KHz Be Appearance and Dimensions Increase Note: content	7	DARREN	
2	OCT,09,2004	DG0410001	C	Pb-free Soldering	7	PHOENIX	

OBO PRO.2 INC.
25 OCT 2004

REV.	DATE	PREPARED BY	CHECKED BY	APPROVED BY
C	OCT,09,2004	<i>[Signature]</i> 10/19/04	<i>[Signature]</i> 10/19	<i>[Signature]</i> 10/19/04

Model No. : OBO-11240WA

OBO PRO.2 INC.

25 OCT 2004

Features : External drive & Pb-free Soldering Type

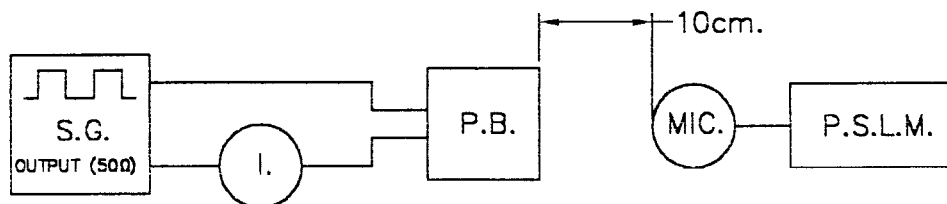
文件发行章

1. General Requirements

Items	Spec.
Sound Pressure Level	65dB Min. at 4.0KHz/3.3Vp-p Square Wave/10cm.
Capacitance	9,500pF \pm 30% at 120Hz
Current Consumption	1.5mA Max. at 4.0KHz/3.3Vp-p Square Wave
Allowable Input Voltage	15Vp-p Max.
Case Material	PBT
Operating Temp. Range	-40°C to +85°C
Storage Temp. Range	-40°C to +85°C
Weight	0.3 grams
Frequency Response	As Per Fig.1

2. Test Method

2.1 Standard Test Diagram



S.G. : GFG-8016G Function Generator or Equivalent

MIC. : B&K-4176 Micphone or Equivalent

P.S.L.M. : B&K-2232 Precision Sound Level Meter or Equivalent

I. : GDM-8145 Multimeter or Equivalent

P.B. : Piezoelectric Buzzer

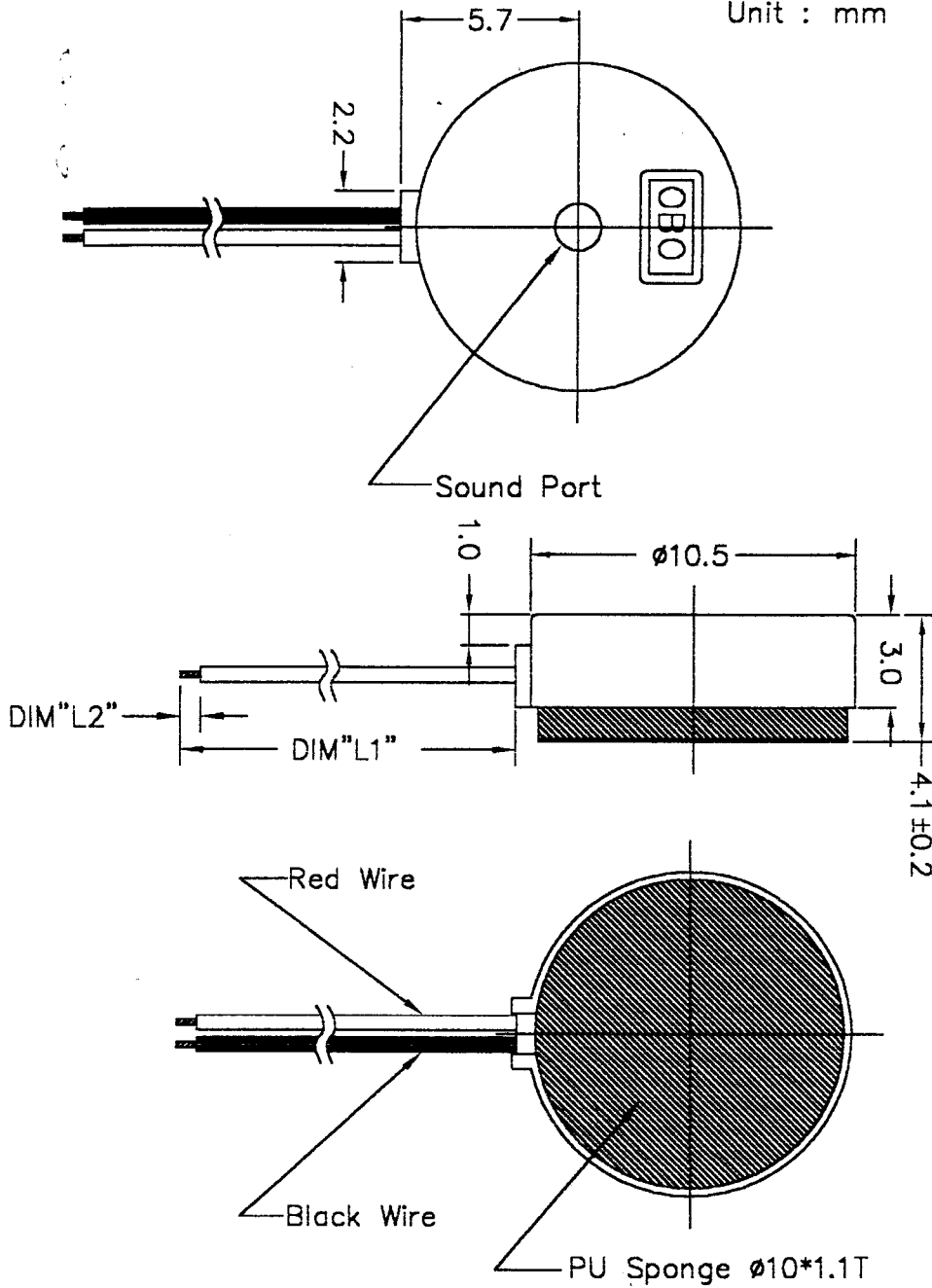
Note: Please pay attention never to be applied DC voltage to piezo sounder

2.2 Standard Test Condition

Part shall be measured under a condition (Temperature: +5 to +35°C, Humidity: 45% to 85%R.H.) unless the standard condition (Temperature: +25 \pm 3°C, Humidity: 60 \pm 10%R.H.) is regulated to measure.

3. Appearance and Dimensions

Unit : mm Tolerance : ± 0.3



OBO PRO.2 INC.
25 OCT 2004
文件发行章

Customer	Lead Wire	DIM "L1"	DIM "L2"
致伸科技	PE 0.08/7C 32AWG	23±3	3±1

Note: IF the wire Length of black wire is not same as red wire, then it cannot over the Limitation of wire Length: 1mm

OBO Pro.2

SPECIFICATIONS

MODEL NO.
OBO-11240WA

PART NAME
Piezoelectric Buzzer

SHEET
4 OF 7

4. Package

OBO PRO.2 INC.

25 OCT 2004

文件发行章

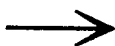
OBO PRO.2 INC.

MODEL NO.	
LOT NO.	
QUANTITY	
DATE	

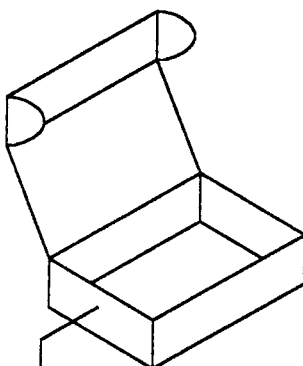
100pcs / Label
(80*50*0.08mm)



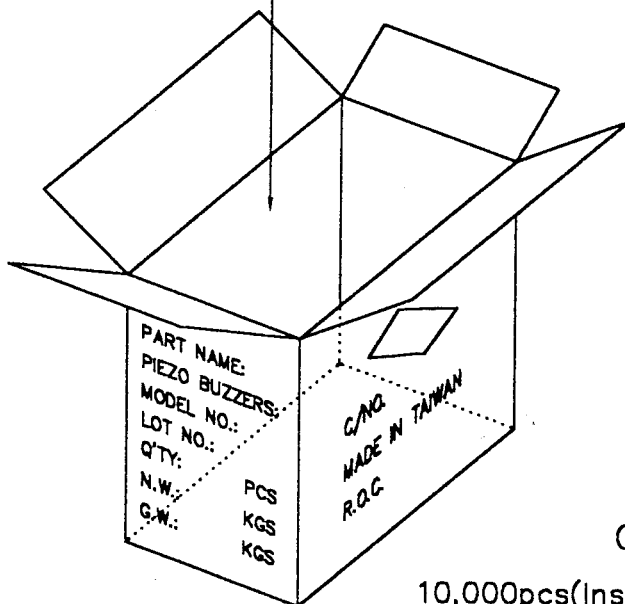
Buzzer



100pcs/ PE Bag
(220*155*0.05mm)



Inside box
1000pcs(PE Bag 10Pcs) / Inside box
(21.8*15.2*6.1 cm.)



Carton

10,000pcs(Inside box*10pcs) / Carton
0.96寸(35.2*23.3*33.6 cm.)

PART NAME:
PIEZO BUZZERS:
MODEL NO.:
LOT NO.:
Q'TY: PCS
N.W.: KGS
G.W.: KGS

C/NO.
MADE IN TAIWAN
R.O.C.

OBO Pro.2**SPECIFICATIONS****MODEL NO.**
OBO-11240WA**PART NAME**
Piezoelectric Buzzer**SHEET**
5 OF 7

5. Reliability Test Conditions

OBO PRO.2 INC.

25 OCT 2004

5.1 Mechanical Sequency

	Test Items	Test Conditions	Performance Requirements
a	Vibration	10 – 55 –10Hz, Sinewave sweep 15 minutes. X,Y,Z 3 direction 2 hours each, Total 6 hours	The measured values shall meet Remarks 1,2
b	Free Drop Test	Free fall from a hight of 100 cm. Onto the 10 m/m thick hardwood board, 9 times, any directions	
c	Terminal Strength Pushing	The force 10 seconds of 0.5Kg is applied to each terminal in axial direction.	No visible damage and cutting off.

5.2 Environmental Sequence

	Test Items	Test Conditions	Performance Requirements
a	Humidity Test	+85±2°C, 90 ~ 95%RH, 96 hrs.	The measured values shall meet Remarks 1,2
b	High Temp. Sotorage	+85±2°C, 96 hrs.	
c	Low Temp. Sotorage	-40±2°C, 96 hrs.	
d	Thermal Shock	-40±2°C(30min.) → +85±2°C(30min.) 50 cycle. Transfer Time : 10 minutes	

5.3 Operating Life Sequence

OBO PRO.2 INC.

25 OCT 2004

	Test Items	Test Conditions	Performance Requirements
a	Ordinary Temp. Operating Test	Continuous sound generation for 96 hrs. at 4.0KHz/3.3Vp-p and +25±10°C	The measured values shall meet Remarks 1,2
b	High Temperature Operating Test	Continuous sound generation for 96 hrs. at 4.0KHz/3.3Vp-p and +85±2°C	
c	Low Temperature Operating Test	Continuous sound generation for 96 hrs. at 4.0KHz/3.3Vp-p and -40±2°C	

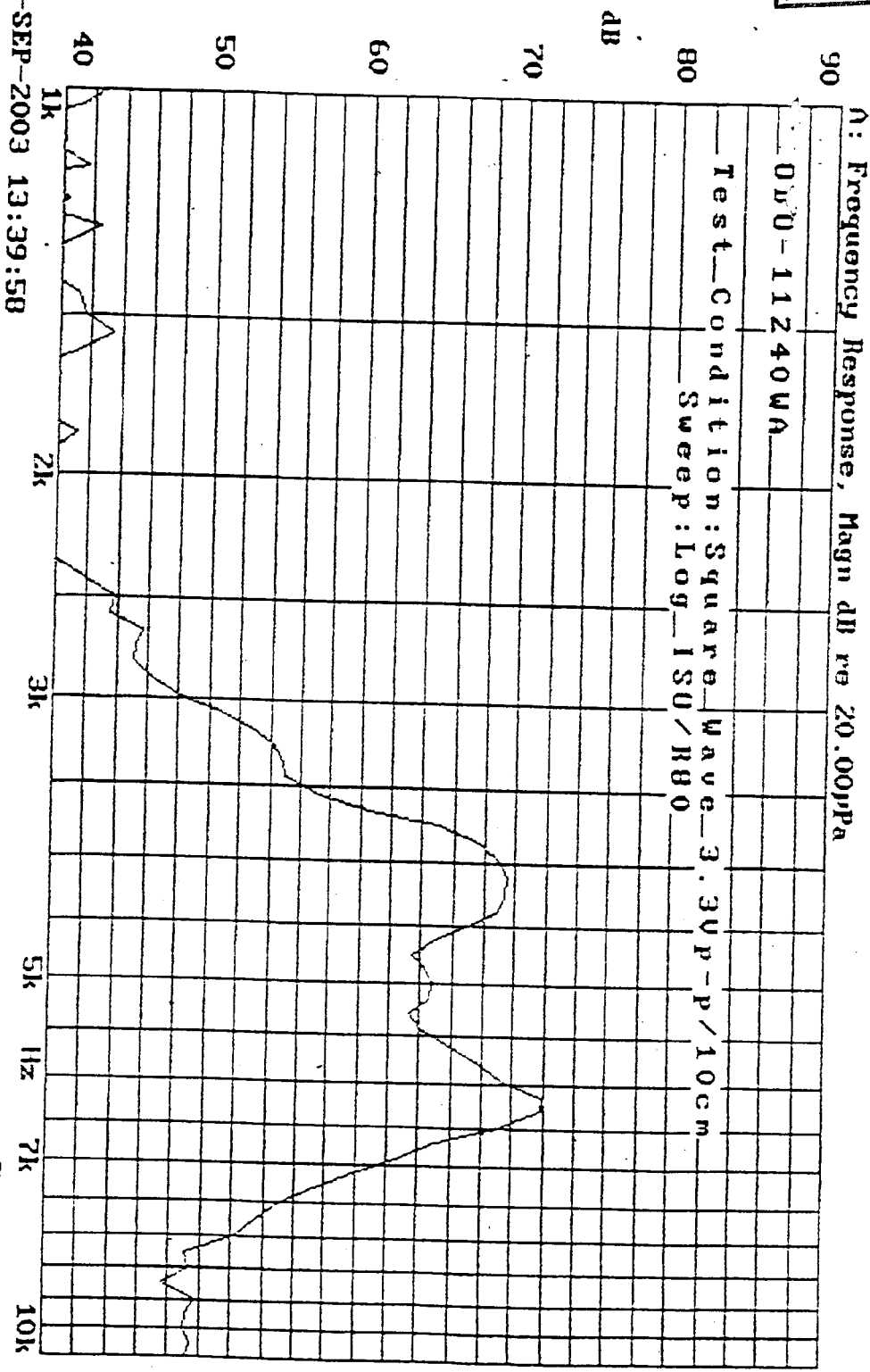
Remarks :

1. Sounder shall be measured after being placed in natural condition for 4 hours.
2. After the test the part shall meet specifications without any degradation in appearance and performance except SPL: Initial±10dB and Capacitance: Initial±20%

6. Soldering condition

6.1 Hand soldering / touchup

soldering iron tip temperature 380°C for 3 seconds.



Mode: SSR

