

OBO Pro.2

SPECIFICATIONS

MODEL NO.
OBO-TW50228-16

PART NAME
Piezoelectric Diaphragm Soldering With Lead Wire

SHEET
OBO Pro.2

2008/07

文件发行单

1. SCOPE

This specification is applied to the piezoelectric diaphragm soldering with lead wire.

Features : Conformity RoHS Directive (2002/95/EC) Requests. ※3

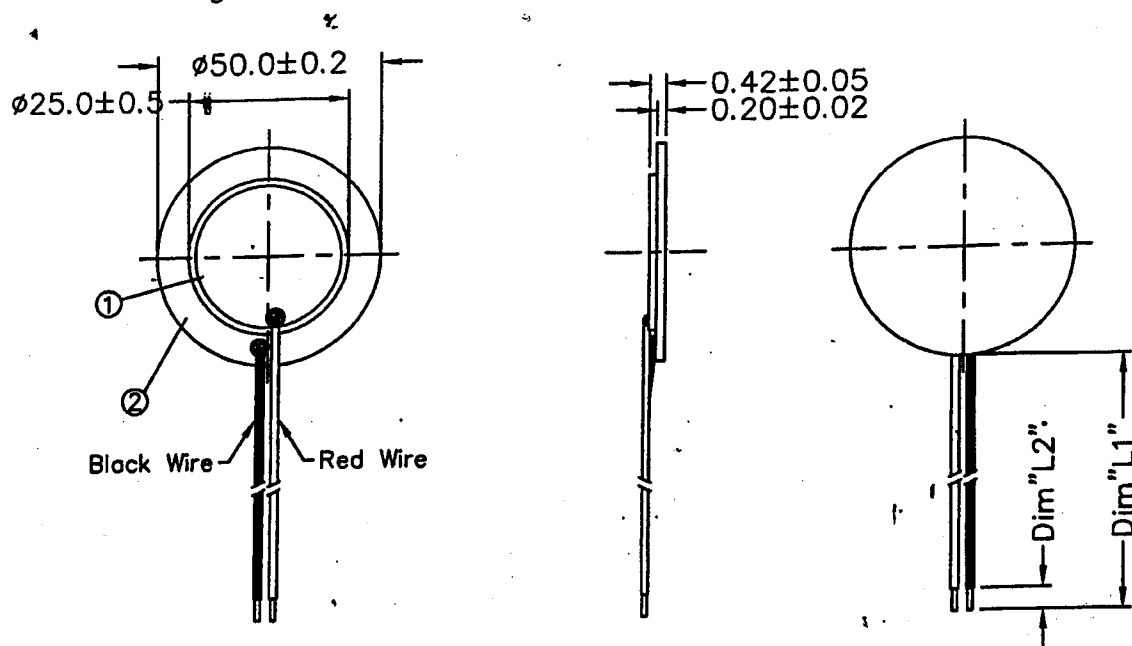
2. MODEL NO : OBO-TW50228-16

3. SPECIFICATION(at 25 °C)

- 3.1 Resonant Frequency : 2.8 ± 0.5 KHz
- 3.2 Resonant Resistance : 700 OHM max
- 3.3 Capacitance : $35,000\text{pF} \pm 30\%$ at 120 Hz
- 3.4 Input Voltage : 30Vp-p max.
- 3.5 Operating Temperature : -20°C to $+60^{\circ}\text{C}$
- 3.6 Storage Temperature : -20°C to $+70^{\circ}\text{C}$
- 3.7 Dimension : as per Figure 1.

- ① Piezoelectric Ceramics
- ② Brass Plate

Figure 1. Unit : mm



Customer	Lead wire	DIM "L1"	DIM "L2"
Standard	UL1095#28	85±5	3±1

OBO Pro.2

SPECIFICATIONS

MODEL NO.
OBO-TW50228-16

PART NAME

Piezoelectric Diaphragm Soldering With Lead Wire

SHEET

3 OF 3
OBO PRO.2 INC.

2007 MAR 07

文件发行章

4. Environment-related substances to be controlled.

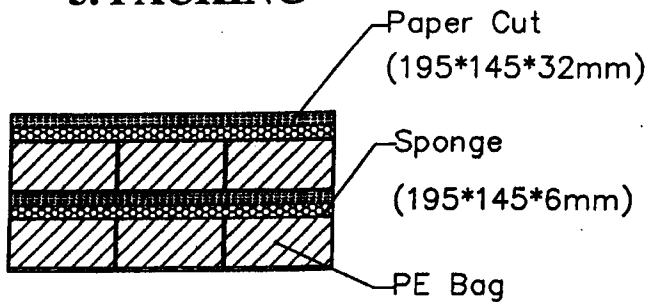
◎ Piezoelectric Ceramic Disc.

RoHs Annex :

Application of lead, mercury, cadmium and hexavalent chromium, which are exempted from the requirement of article 4(1).

* Lead in electronic ceramic parts.(e.g. piezoelectronic devices).

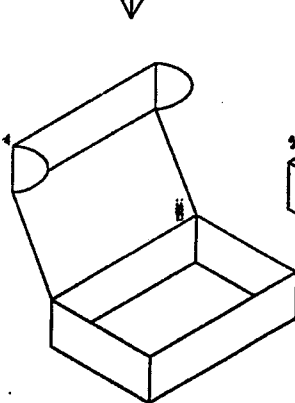
5. PACKING



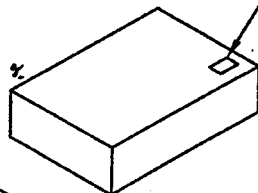
OBO Piezoelectric Buzzers

MODEL NO.	
LOT NO.	
QUANTITY	
DATE	

50pcs / Label
(80*50*0.08mm)

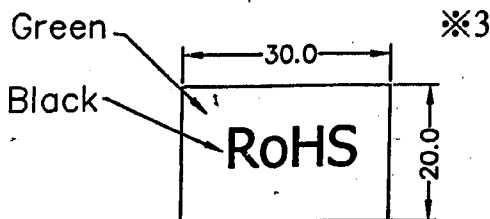


RoHS Tape

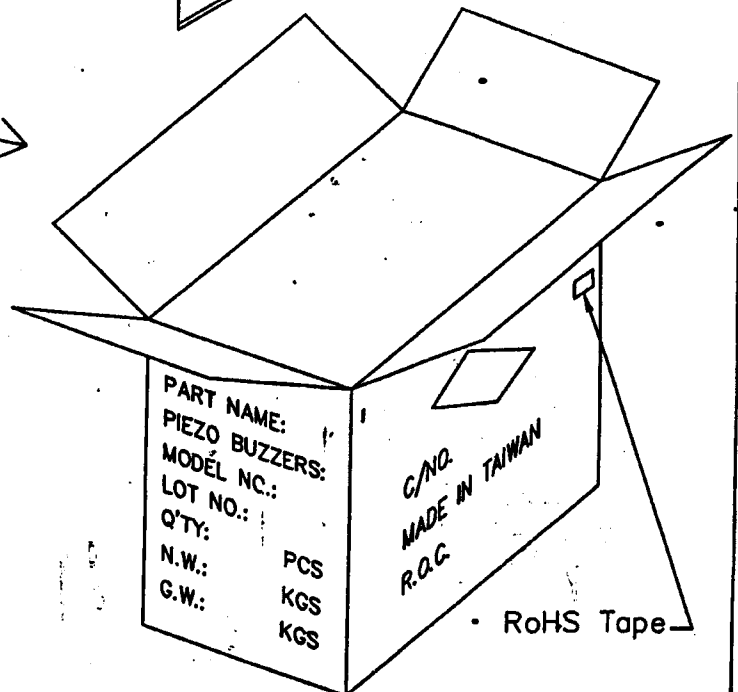


50pcs / PE Bag
(220*155*0.05mm)

300pcs / 6PE Bag / 2pcs Paper Cut
/ 2pcs Sponge / 1pcs Inside Box
(218*152*61mm)



RoHS Tape
(30*20 mm)



10Box(3000pcs) / Carton
0.96 (352*233*336mm)