



SPECIFICATIONS

MODEL NO
OBO-08BN-0B-07K

PART NAME
ELECTRET CONDENSER MICROPHONE

SHEET
2 OF 6

MODEL NO : OBO-08BN-0B-07K

Features:Conformity RoHS Directive(2002/95/EC) Requests.

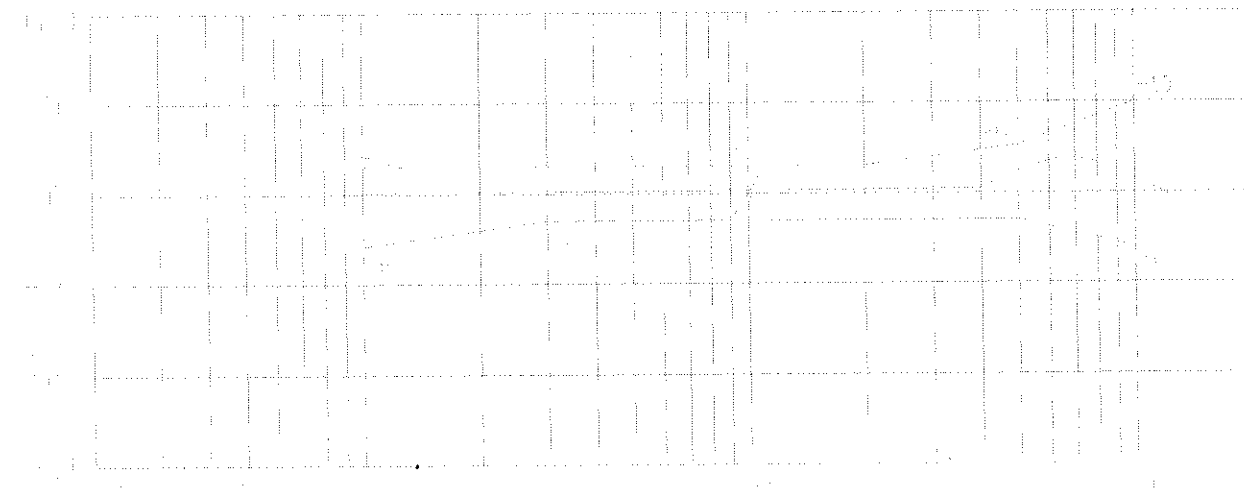
1. ELECTRICAL CHARACTERISTICS

Test Condition:(Vs=3.0 V,RL=2.2KΩ,Ta=20±2°C,R.H.=65±5%)

Directivity : Omnidirectional

No	Parameter	Symbol	Condition	Limit			Unit
				Min	Center	Max	
1.1	Sensitivity	S	F=1KHz,S.P.L.=1Pa 0dB=1V/Pa	-41	-38	-35	dB
1.2	Output Impedance	Zout	F=1KHz			2.2	KΩ
1.3	Current Consumption	IDss	VS=3.0V, L=2.2KΩ			500	μA
1.4	Signal to Noise Ration	S/N	S:(F=1KHz,S.P.L.=1Pa) N:(A-Weighted Curve)	60			dB
1.5	Decreasing Voltage	ΔS-VS	VS=1.5V to 3.0V			-3	dB

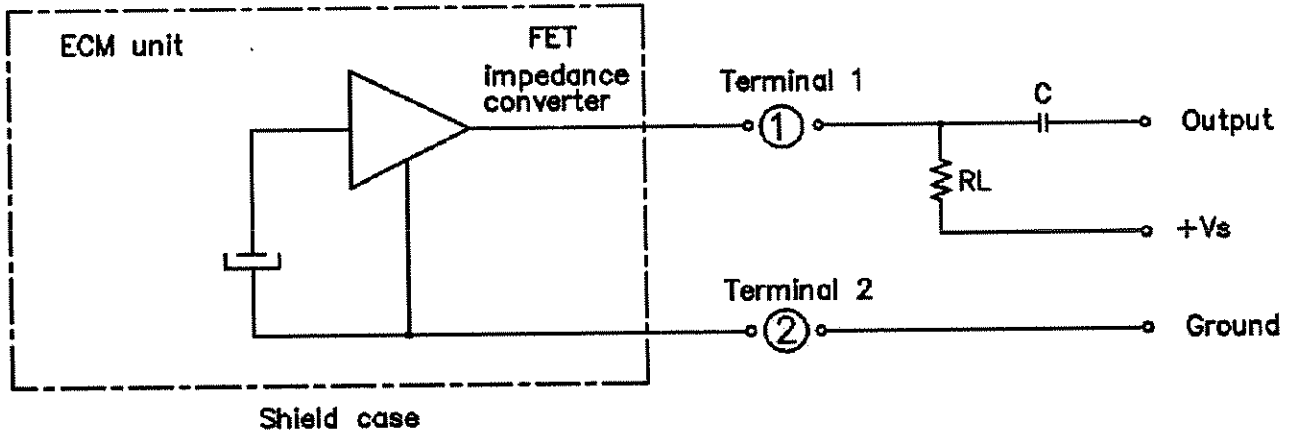
1.6 Typical Frequency Response Curve Limit



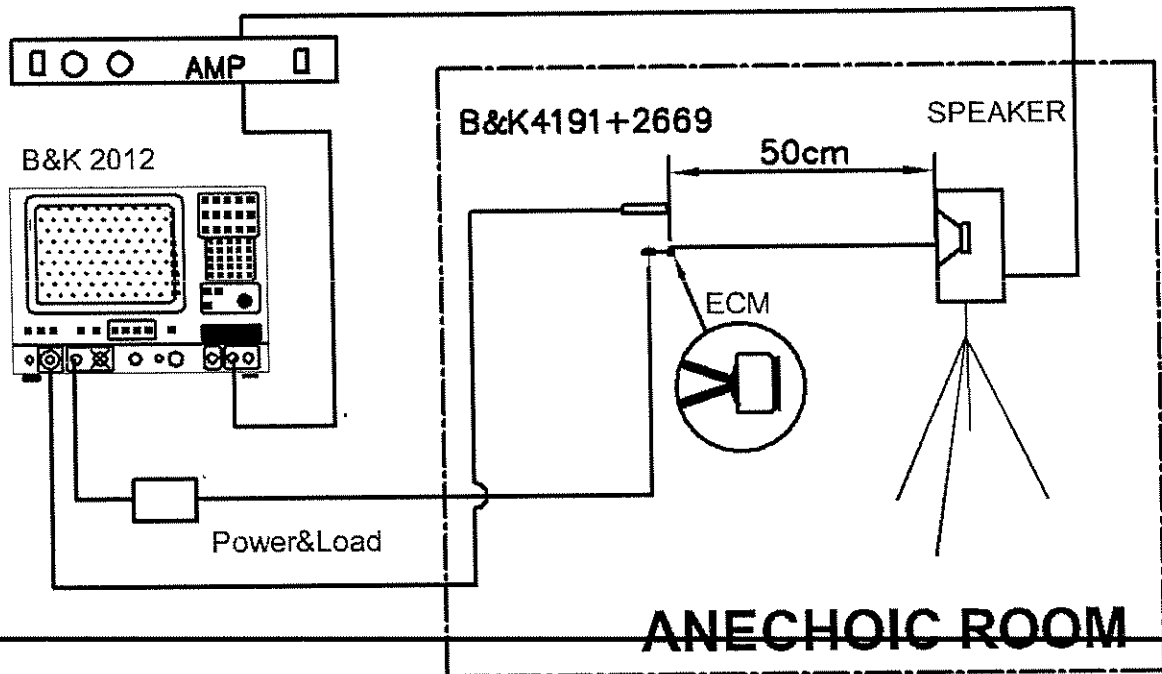
©Frequency: 50~16,000Hz

©Max Operatint Voltage: 10V

2. MEASUREMENT CIRCUIT



3. MEASUREMENT METHOD

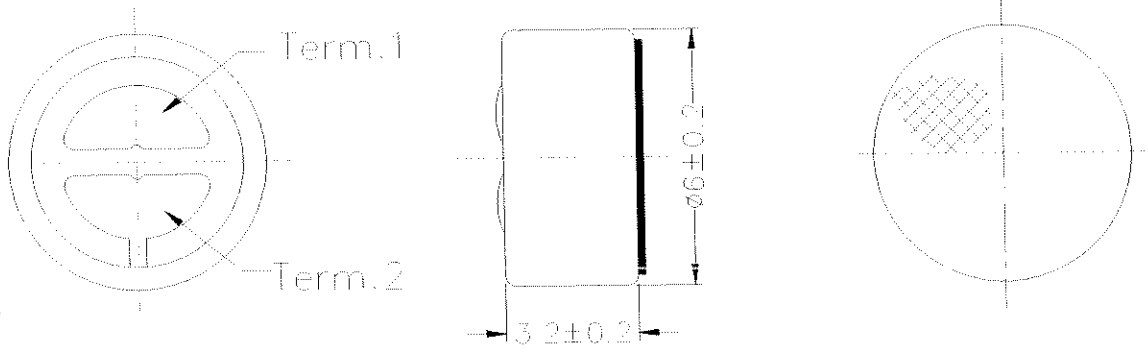


4.ASS'Y DRAWING

4.1 Soldering Standard : $330\pm 5^{\circ}\text{C}$ / Max. 2 seconds

4.2 Mechanical Layout and Dimensions :

Unit: mm



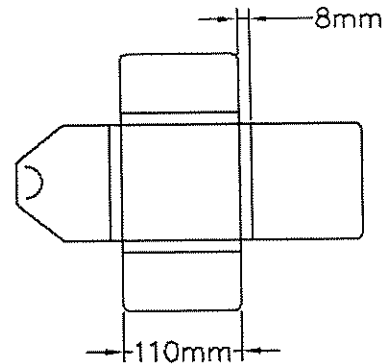
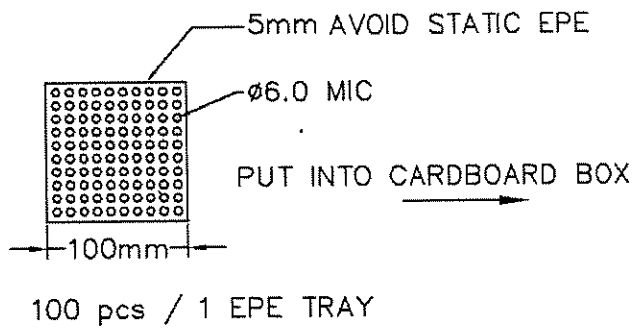
5. TEMPERATURE CONDITIONS5.1 Operating Temperature Range: $-20^{\circ}\text{C} \sim +70^{\circ}\text{C}$ 5.2 Storage Temperature Range: $-40^{\circ}\text{C} \sim +70^{\circ}\text{C}$ **6. RELIABILITY TEST**

Vibration Test	To be no interference in operation after vibrations, 10Hz to 55Hz for 1 minute full amplitude 1.5mm, for 2 hours at 3 axes .
Drop Test	The microphone unit without packaged must be subjected to each 3one time from 1 drops at 3 axes,the height of 1 meter to 20 mm thick wooden board.
Temperature	(a) After exposure at $+70^{\circ}\text{C}$ for 72 hours, sensitivity to be within $\pm 3\text{dB}$ from initial sensitivity. (b) After exposure at -25°C for 72 hours, sensitivity to be within $\pm 3\text{dB}$ from initial sensitivity. (The measurement to be done after 6 hours of conditioning at 25°C)
Humidity Test	After exposure at $+60^{\circ}\text{C}$ and 90%~95% relative humidity for 240hours. sensitivity to be within $\pm 3\text{dB}$ from initial sensitivity. (The measurement to be done after 6 hours of conditioning at 25°C)
Temperature Cycle Test	After exposure at $+70^{\circ}\text{C}$ for 1 hr, from $+70^{\circ}\text{C}$ to $+25^{\circ}\text{C}$ for 0.5 hr ,at $+25^{\circ}\text{C}$ for 1 hr, from $+25^{\circ}\text{C}$ to -20°C for 0.5 hr ,at -20°C for 1 hr, from -20°C to $+25^{\circ}\text{C}$ for 0.5 hr , after 10 cycles , sensitivity to be within $\pm 3\text{dB}$ from initial sensitivity. (The measurement to be done after 6 hours of conditioning at 25°C)

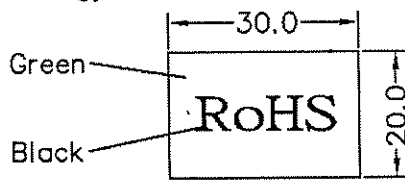
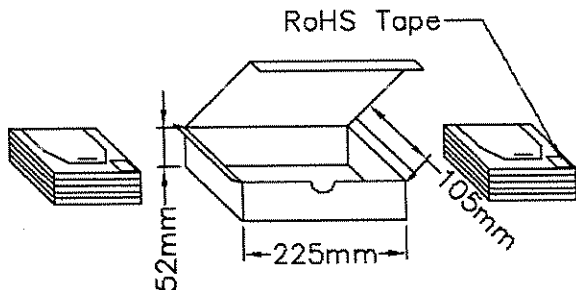
7. CONCEPT OF UNIT

The difference between concept of unit "Pascal" and the one of unit can be explained as follows. in calibrating the sensitivity of ECMS. the sensitivity is manifested differently according as the unitis "Pascal" or " μbar ". That is the sensitivity will be increased by 20dB in the usage of unit "Pascal". Example : $-64\text{dB}(0\text{dB}=1\text{V}/\mu\text{bar})=-44\text{dB}(0\text{dB}=1\text{V}/\text{Pa})$

8. PACKING

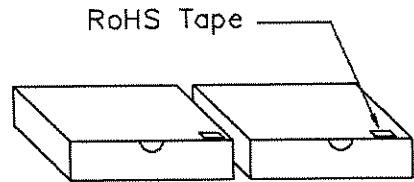


10 CARDBOARD BOXES / PER
SMALL BOX(1000 pcs)



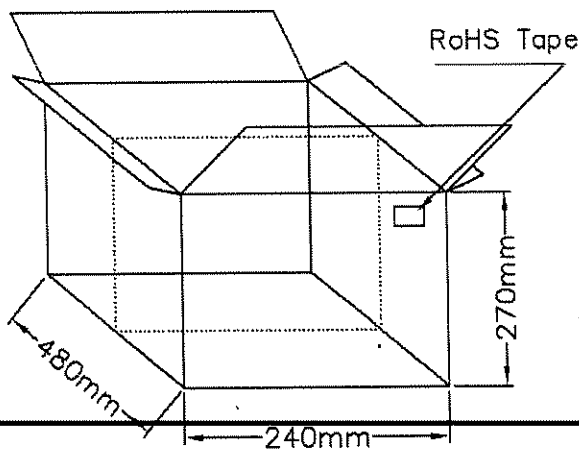
RoHS Tape
(30*20 mm)

LOAD IN

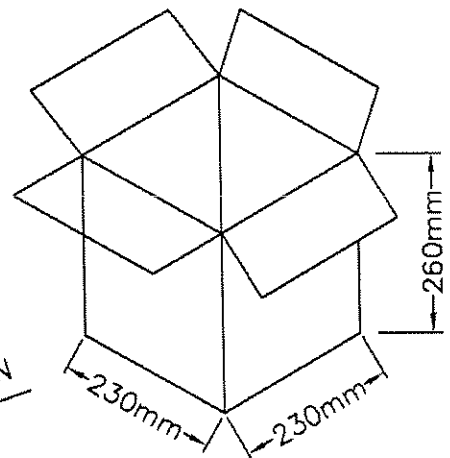


LOAD IN

LOAD IN



LOAD IN



10 SMALL BOXES / PER
MIDDLE OUTSIDE BOX (10000 pcs)
(IMPORTED CARTON MATERIAL)

CARTON (20000 pcs)
2 MIDDLE BOXES / PER
(IMPORTED CARTON MATERIAL)