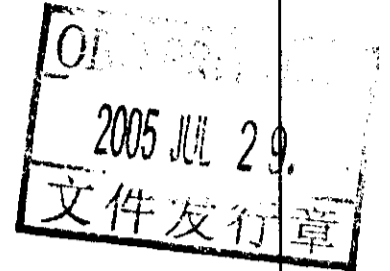


OBO Pro.2**SPECIFICATIONS****MODEL NO.**
OBO-0901A-A2**PART NAME**
Electromagnetic Transducer**SHEET**
2 OF 8**MODEL NO. :OBO-0901A-A2****1.General Requirements:**

	Items	Spec.	Conditions
1.1	Rated Voltage	1.5 Vo-p	
1.2	Operating Voltage	1-2 Vo-p	
1.3	Resonant Frequency	2730Hz	
1.4	Sound Pressure Level at 10cm	min. 85dB	Standard State, Standard Drive circuit, Rated Voltage, Distance at 0.1m(A-Weight) 2730Hz Squarewave 1/2 Duty.
1.5	Average Current Consumption	max. 80mA	
1.6	Coil Resistance	5.5±1Ω	
1.7	Operating Temp. Range	-20°C ~+60°C	SPL ≥80dB at "1.4"
1.8	Storage Temp. Range	-40°C ~+85°C	
1.9	Housing Material	PBT	
1.10	Weight	0.7g	
1.11	Frequency Response	As per Fig.1	

OBO
2005 JUL 29
文件发

2. Standard test Conditions

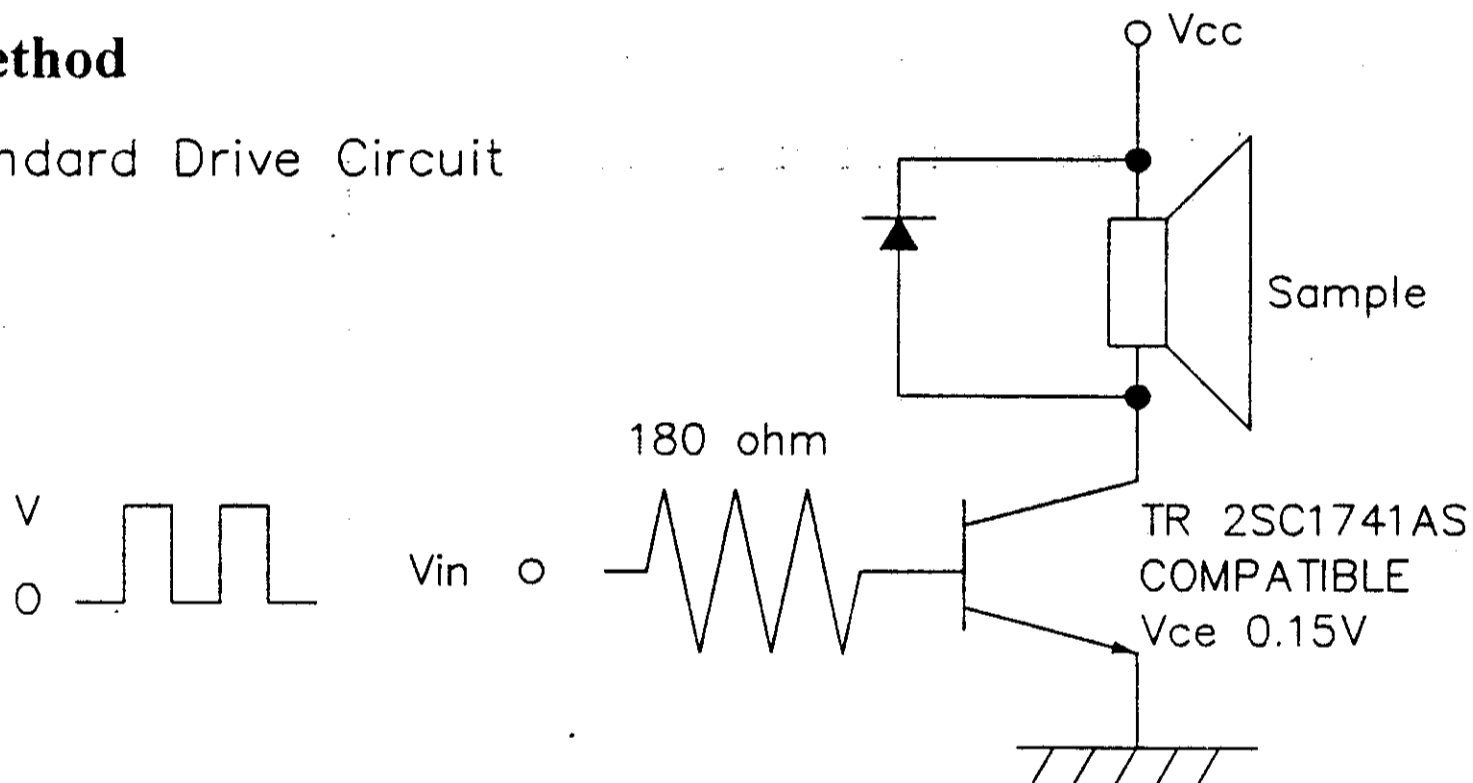
2.1 Standard State	Ordinary Temperature	15°C to 35°C
	Ordinary Humidity	25% to 85%
	Ordinary air pressure	860 to 1060hPa

In case of doubtful judgment, the test is re-performed under Basic State.

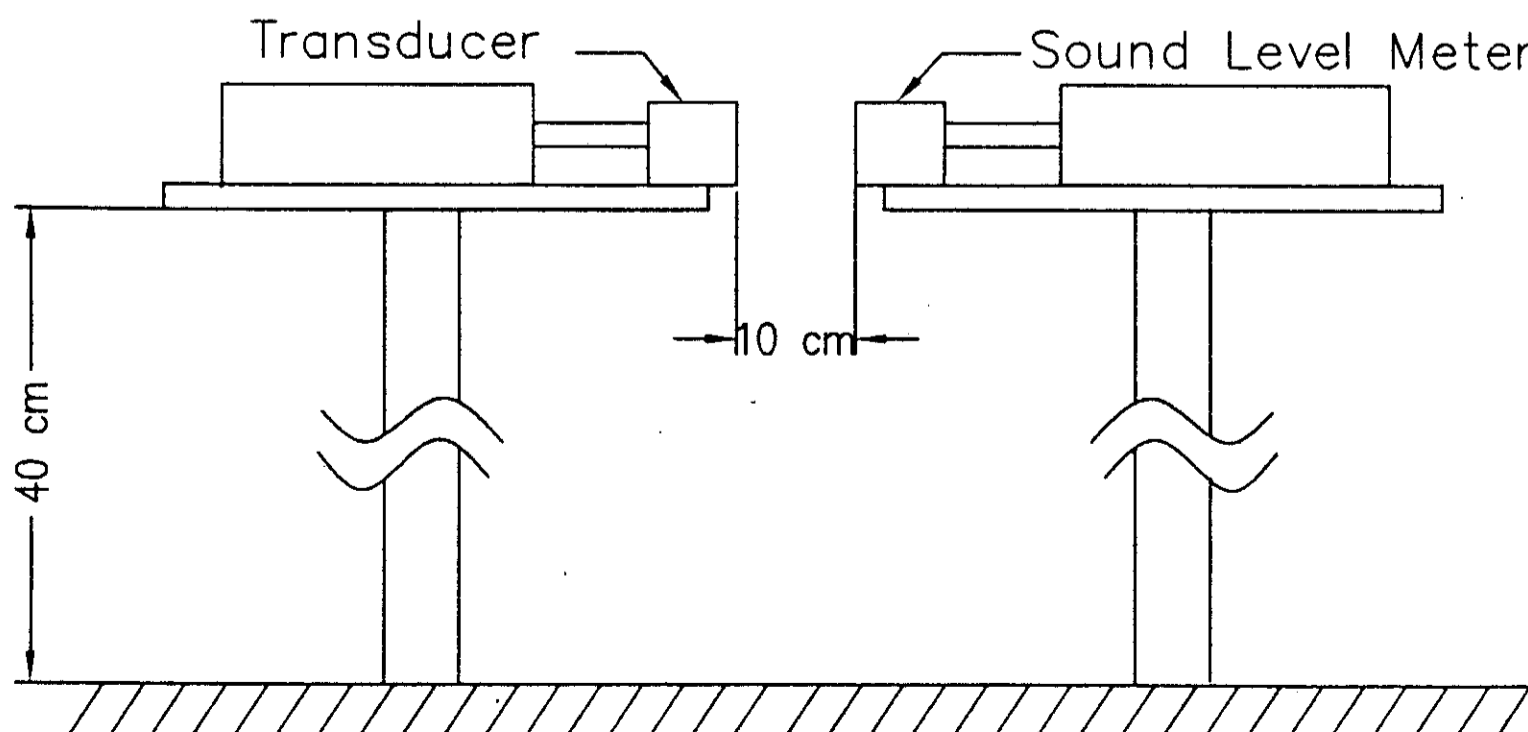
2.2 Basic State	Temperature	20±2°C
	Humidity	60% to 70%
	Ordinary air pressure	860 to 1060hPa

3. Test method

3.1 Standard Drive Circuit



3.2 Standard Test Fixture



OBO Pro.2

SPECIFICATIONS

MODEL NO.
OBO-0901A-A2

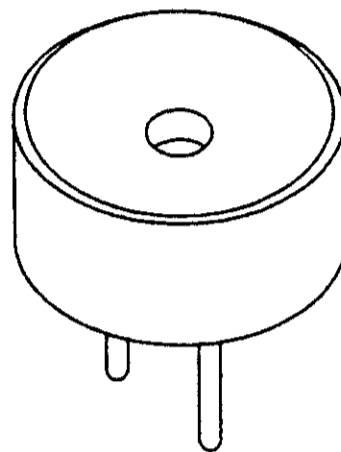
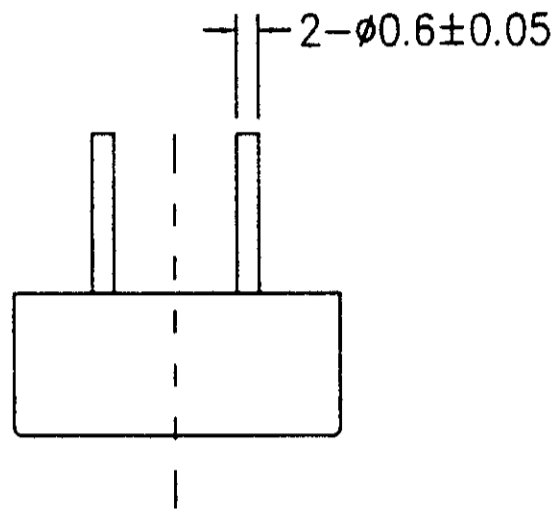
PART NAME
Electromagnetic Transducer

SHEET
4 OF 8

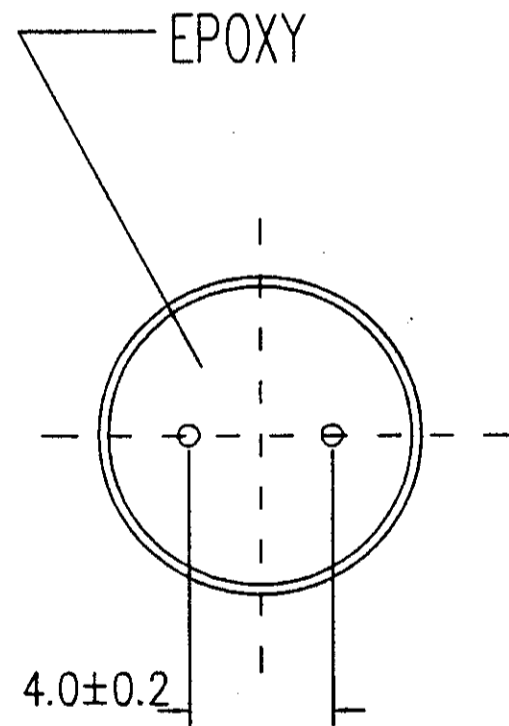
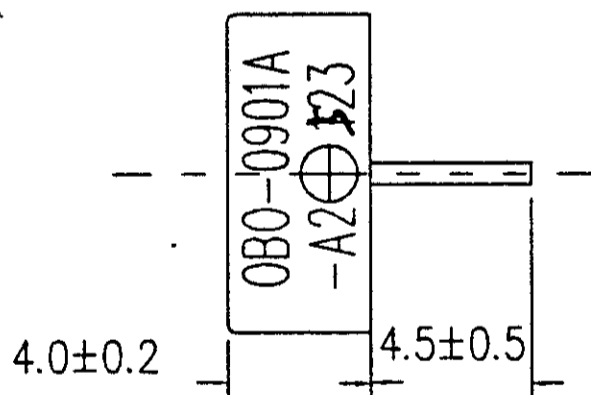
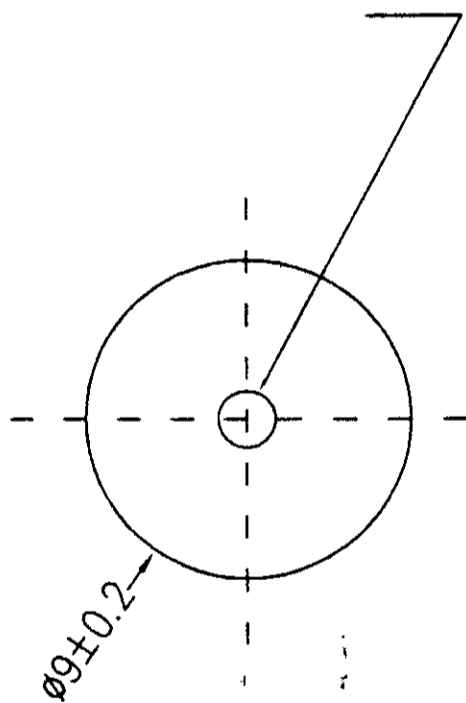
OBO PRO.2 INC.
2005 JUL 29.
文件发行章

4.Mechanical Layout and Dimensions

UNIT: mm



SOUND EMISSION HOLE $\phi 1.6$



Note : Meaning of Stamp Mark

23: Production Lot No.

5 : Year 2005 (last 5 figures of the year)

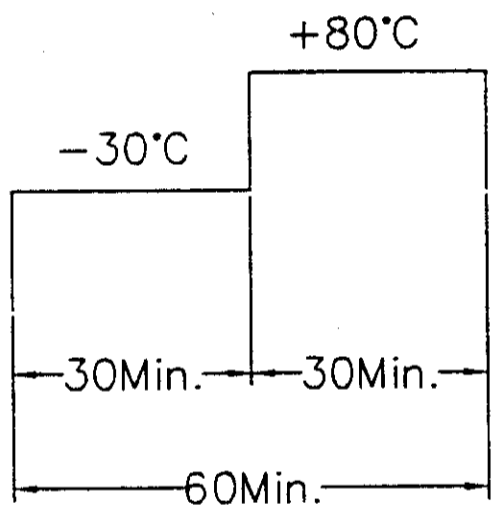
23 : week (01 ~ 55)

0901A-A2 : Model No.

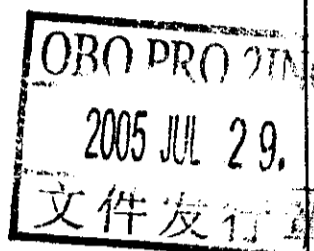
⊕ : Polarity identification mark

OBO PRO.2 INC.
2005 JUL 29.
文件发行章

5. Reliability test

No	Items	Test Conditions	Evaluation Criteria
1	High Temp. Storage	The part shall be capable of withstanding a storage temperature of $+85\pm 2^{\circ}\text{C}$ for 96 hours.	After the test the part shall meet specifications without any degradation in appearance and performance except SPL. SPL shall be 80dB or more.
2	Low Temp. Storage	The part shall be capable of withstanding a storage temperature of $-40\pm 2^{\circ}\text{C}$ for 96 hours.	
3	Thermal Shock	<p>The part shall be subjected to 50 cycle. One cycle shall consist of :</p>  <p>transfer time : 10 minutes</p>	
4	Humidity Test	The part shall be subjected to $+60\pm 2^{\circ}\text{C}$, 90~95% RH for 96 hours, and expose to room temperature for 6 hours.	
5	Vibration	10 - 55 - 10Hz, Sinewave, Sweep 15 min. X,Y,Z 3 Direction 2 hours each, Total 6 hours.	
6	Free Drop	The part only shall be dropped from a height of 100cm onto the 10m/m thick hardwood board 10 times , any directions.	

OBO Pro.2®**SPECIFICATIONS**MODEL NO.
OBO-0901A-A2PART NAME
Electromagnetic TransducerSHEET
6 OF 8

No	Items	Test Conditions	Evaluation Criteria
7	Ordinary Temp. Operating Test	The part shall be subjected to 96 hours at $25\pm 10^{\circ}\text{C}$. Input 1.5 Vo-p Squarewave 1/2duty 2730Hz	
8	High Temp. Operating Test	The part shall be subjected to 96 hours at $+60\pm 2^{\circ}\text{C}$. Input 1.5 Vo-p Squarewave 1/2duty 2730Hz	
9	Low Temp. Operating Test	The part shall be subjected to 96 hours at $-20\pm 2^{\circ}\text{C}$. Input 1.5 Vo-p Squarewave 1/2duty 2730Hz	
10	Solderability (for lead pin unit)	Melting solder temp. $230\pm 10^{\circ}\text{C}$ Soaking time: $5\pm 0.5\text{sec}$.	95% new solder shall be covered with the surface of lead pins.

Notes

As this product is not protected from foreign material entering, please make sure that any foreign materials (e.g. magnetic powder, washing solvent, flux, corrosive gas) do not enter this product in your production processes.

The functional degradation (e.g. SPL down) may occur if foreign material enter it.

OBO Pro.2

SPECIFICATIONS

MODEL NO.
OBO-0901A-A2

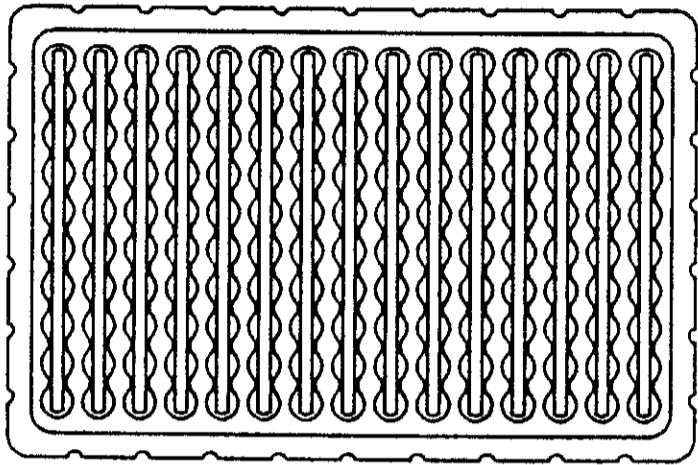
PART NAME
Electromagnetic Transducer

SHEET
7 OF 8

6.Packing

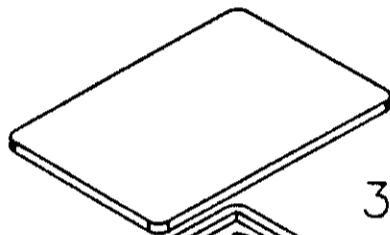
※ 1

OBO PRO.2 INC.
2005 JUL 29.
文件发行章

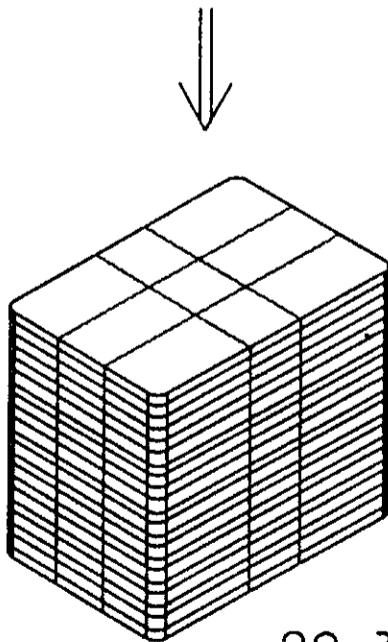
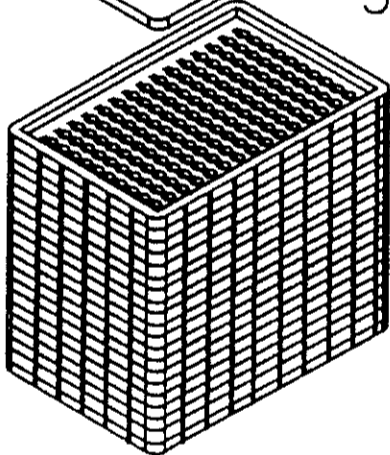


TRAY

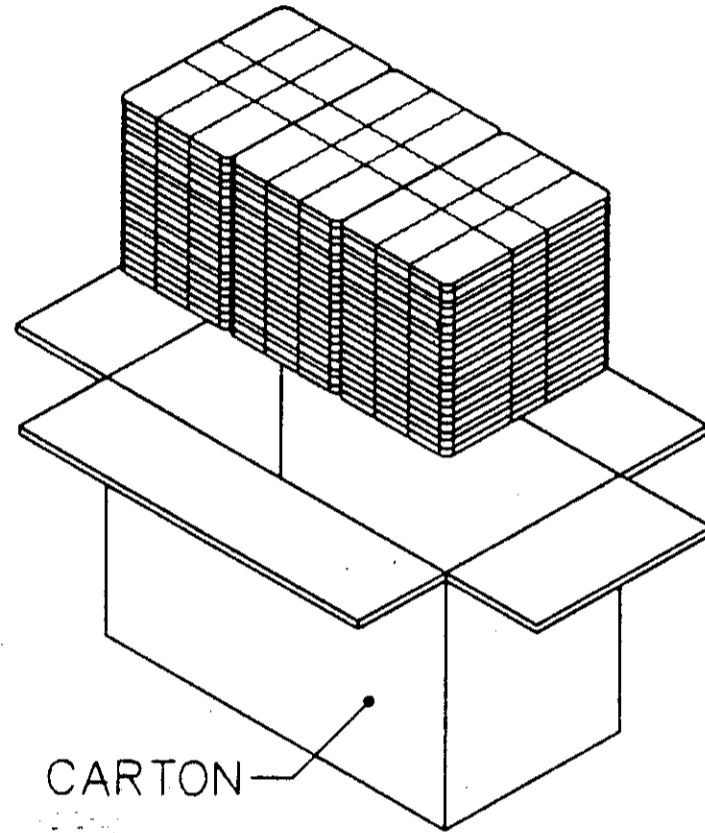
150 PCS/TRAY



3000 PCS/20 TRAY

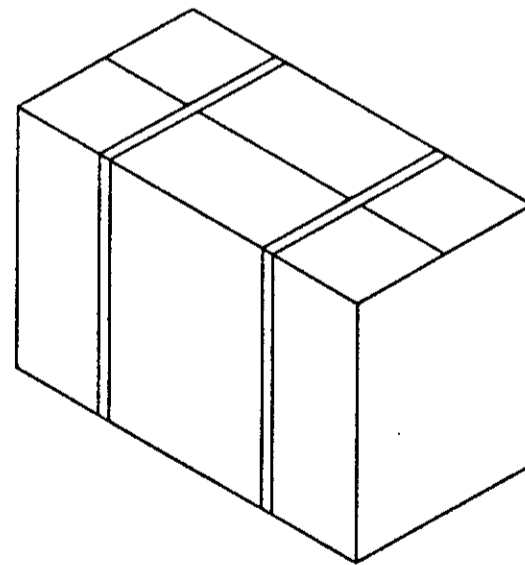


20 TRAY/BAG



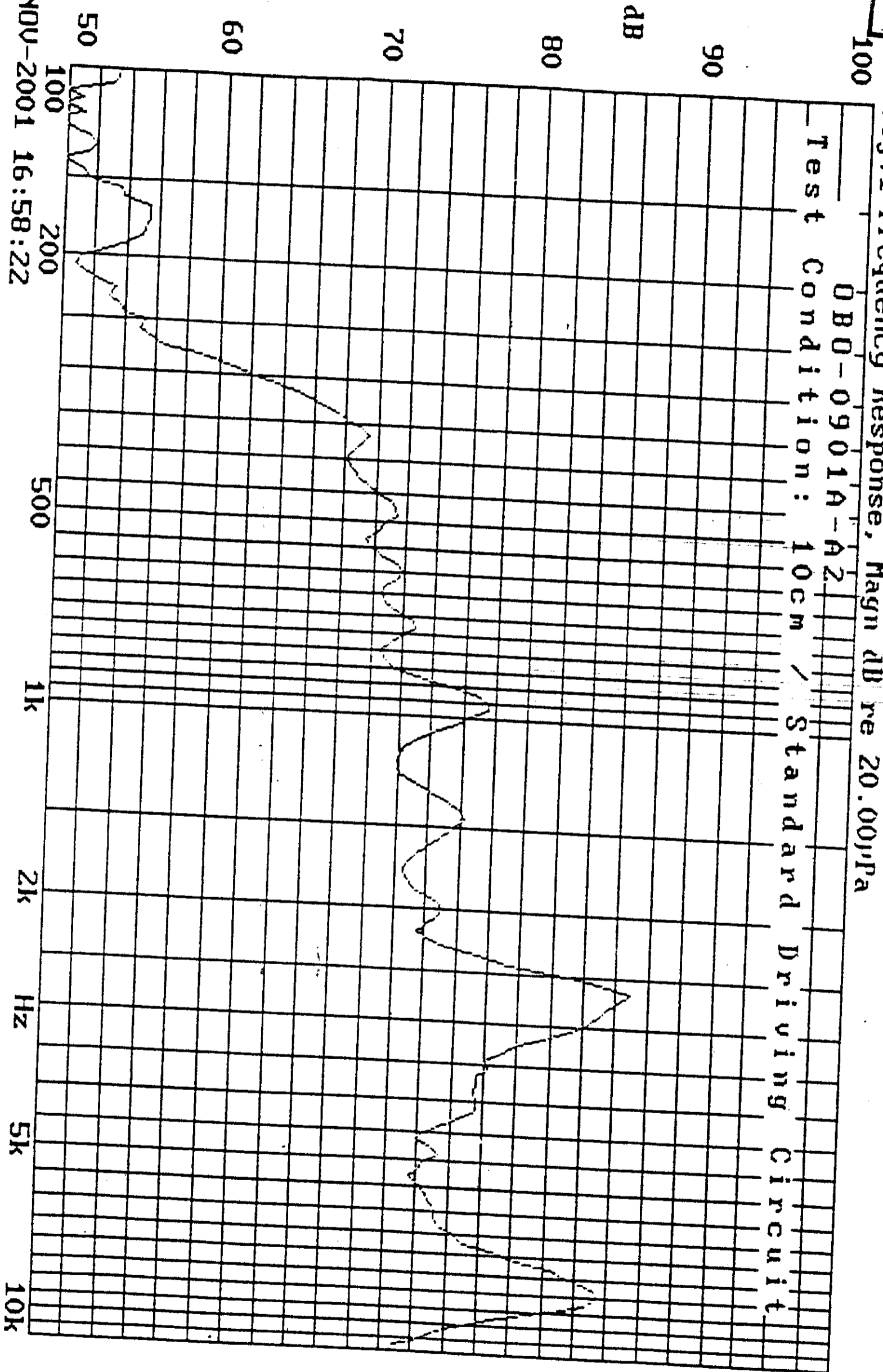
CARTON

9000PCS/CARTON



150 PCS/TRAY
3000 PCS/20 TRAY/BAG
9000 PCS/CARTON

OBO PRO 2INC.
2005 JUL 29.
文件发行章



Mode: SSR

21-NDU-2001 16:58:22

