

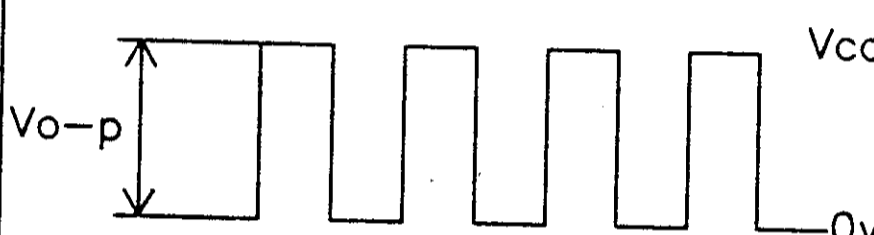
OBO Pro.2®**SPECIFICATIONS****MODEL NO.**
OBO-0903E-C2**PART NAME**
Electromagnetic Transducer**SHEET**
1 OF 8**ALTERNATION HISTORY**

Marking	Date	ECN NO.	REV.	Description	Page	PREPARE BY	APPROVE BY
※ 1	JUL.26.05	DG0507005	C	Change packing tray	8	NSG	徐俊達

OBO Pro.2 INC
2005 JUL 29.
文件发行章

REV.	DATE	PREPARED BY	CHECKED BY	APPROVED BY
.C	JUL,26,2005	聶水根	聶水根	徐俊達

OBO Pro.2**SPECIFICATIONS****MODEL NO.**
OBO-0903E-C2**PART NAME**
Electromagnetic Transducer**SHEET**
2 OF 8**MODEL NO. :OBO-0903E-C2**OBO PRO.2 INC.
2005 JUL 29.
文件发行章**1.General Requirements:**

	Items	Spec.	Conditions
1.1	Rated Voltage	3.0 Vo-p	 <p>Square wave 1/2 Duty</p>
1.2	Operating Voltage	2-4 Vo-p	
1.3	Resonant Frequency	3200Hz	
1.4	Sound Pressure Level at 10cm	Min.93dB Max.102dB	Standard State, Standard Drive circuit, Rated Voltage, Distance at 0.1m(A-Weight) 3200Hz Squarewave 1/2 Duty.
1.5	Average Current Consumption	max. 150mA	
1.6	Coil Resistance	10±2Ω	
1.7	Operating Temp. Range	-20°C ~ +60°C	SPL ≥ 80dB at "1.4"
1.8	Storage Temp. Range	-40°C ~ +85°C	
1.9	Housing Material	PBT	
1.10	Weight	1.0g	
1.11	Frequency Response	As per Fig.A	

2. Standard test Conditions

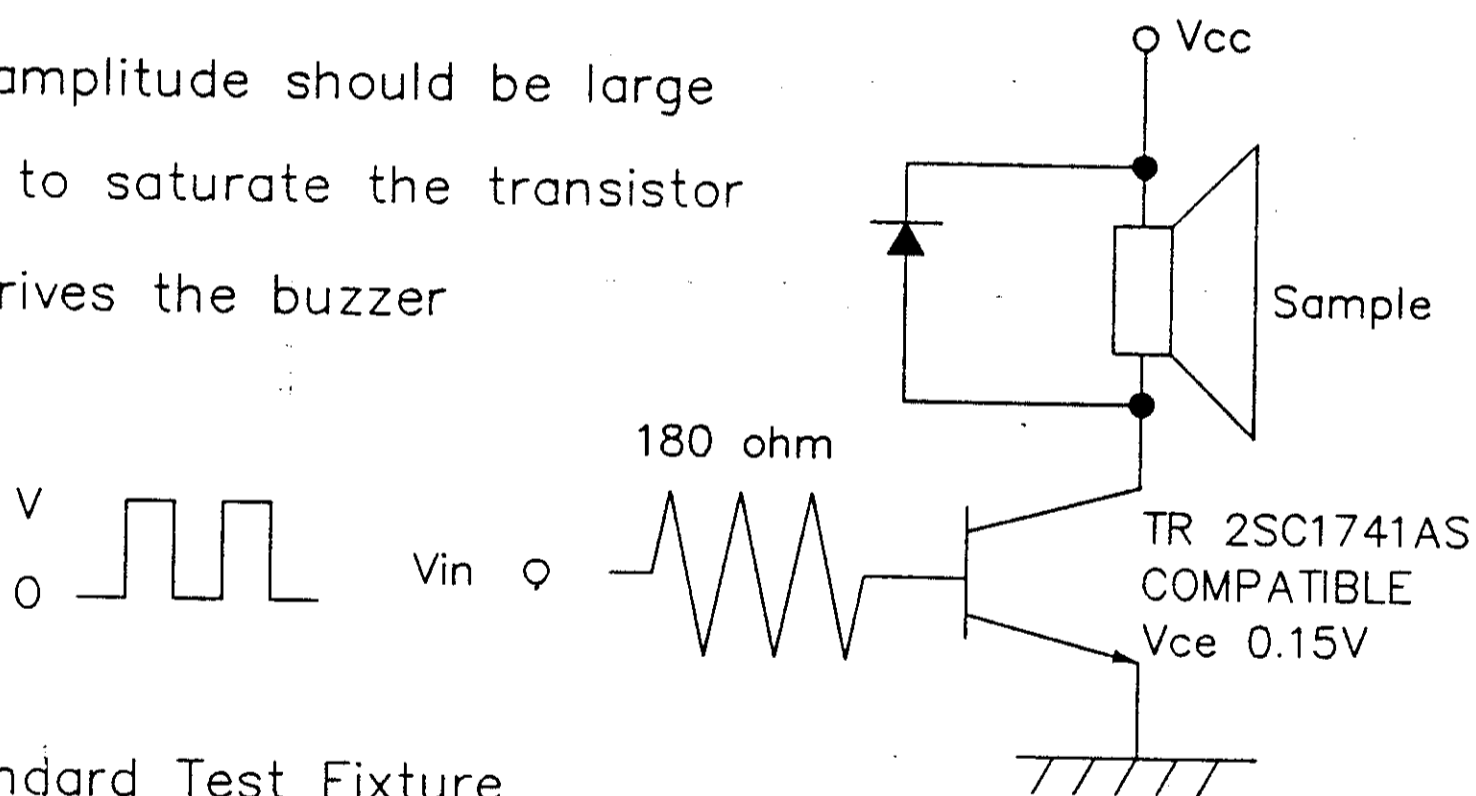
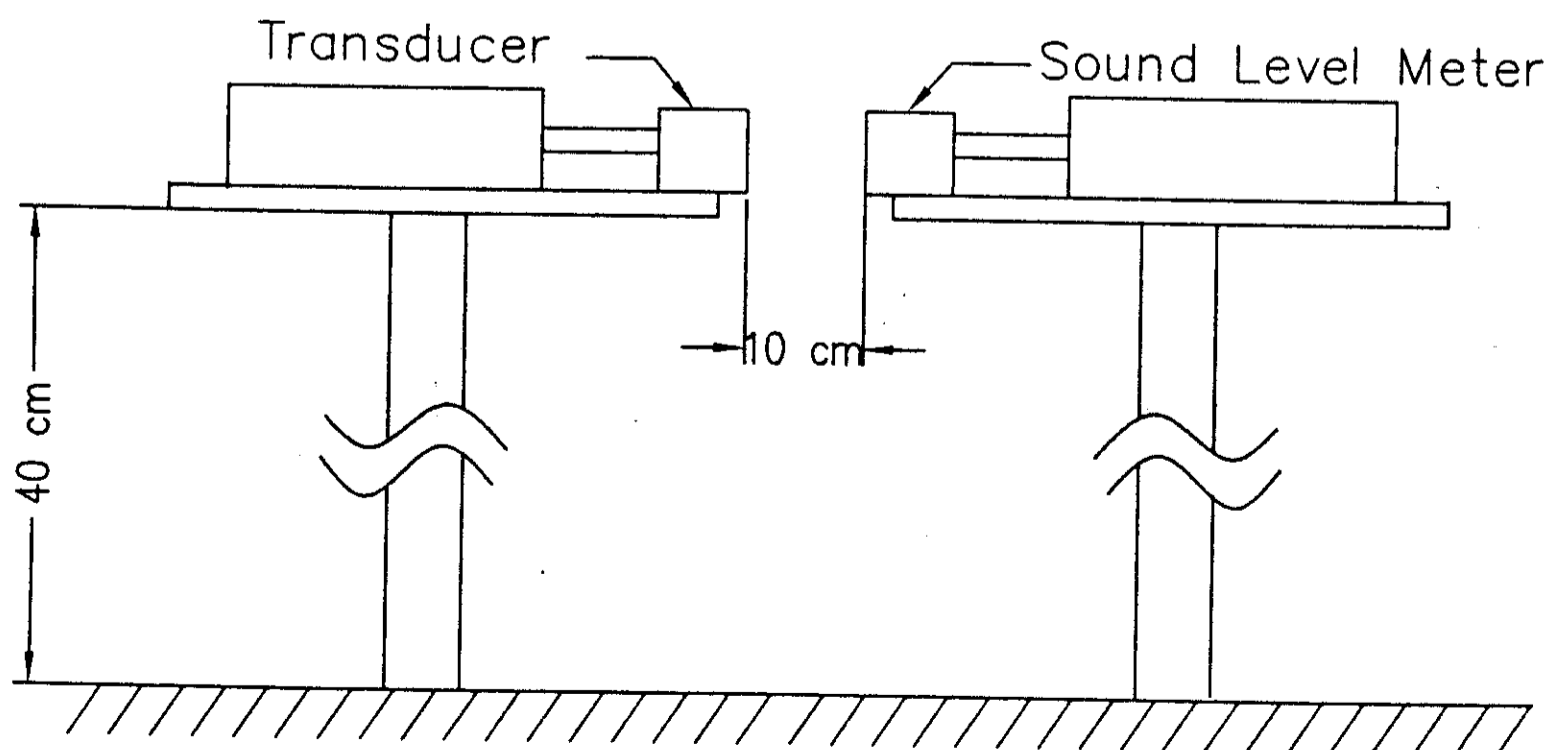
2.1 Standard State	Ordinary Temperature	15°C to 35°C
	Ordinary Humidity	25% to 85%
	Ordinary air pressure	860 to 1060hPa

In case of doubtful judgment, the test is re-performed under Basic State.

2.2 Basic State	Temperature	20±2°C
	Humidity	60% to 70%
	Ordinary air pressure	860 to 1060hPa

3. Test method**3.1 Standard Drive Circuit**

Signal amplitude should be large enough to saturate the transistor which drives the buzzer

**3.2 Standard Test Fixture**

OBO Pro.2

SPECIFICATIONS

MODEL NO.
OBO-0903E-C2

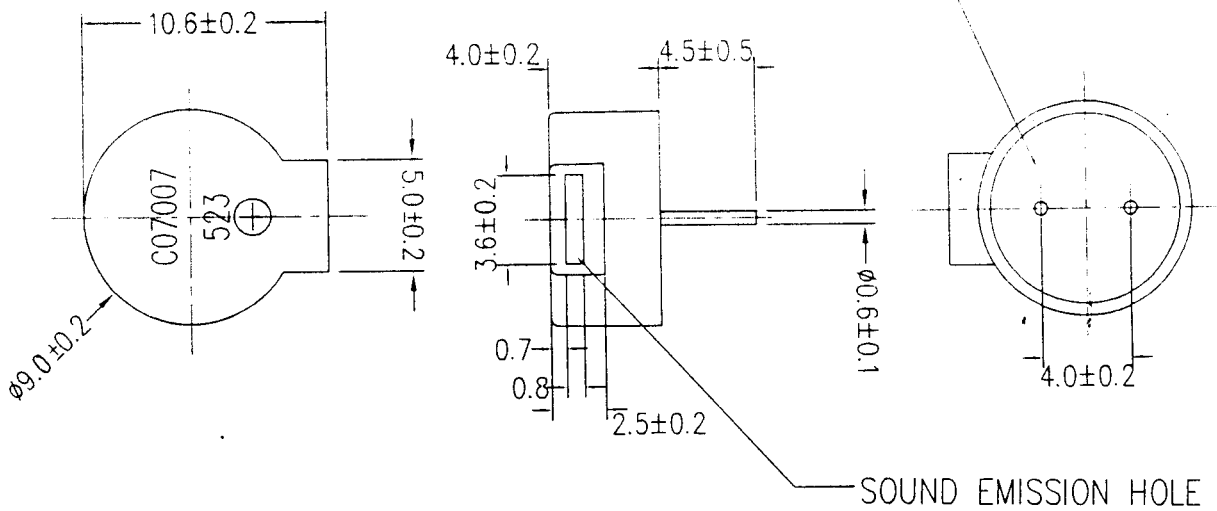
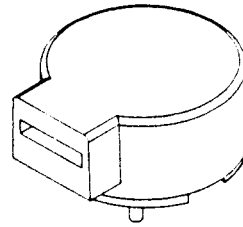
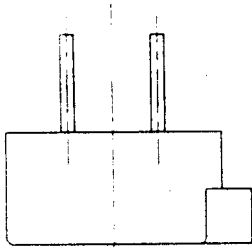
PART NAME
Electromagnetic Transducer

SHEET
4 OF 8

4. Mechanical Layout and Dimensions

UNIT: mm

OBO PRO 2 INC.
2005 JUL 29.
文件发行部



Note : Meaning of Stamp Mark

523: Production Lot No.

5 : Year 2005 (last 5 figures of the year)

23 : week (01 ~ 55)

C07007: Model No.

⊕ : Polarity identification mark

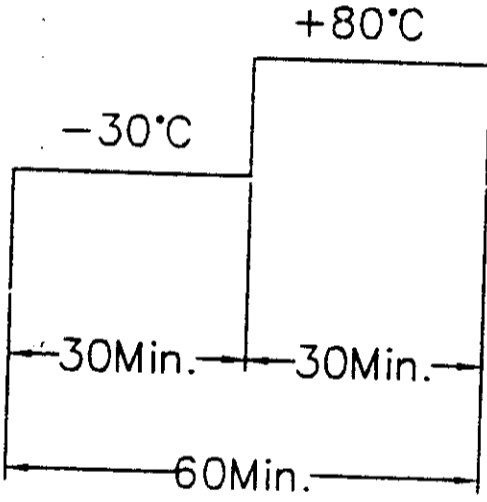
OBO Pro.2**SPECIFICATIONS**MODEL NO.
OBO-0903E-C2PART NAME
Electromagnetic TransducerSHEET
5 OF 8

OBO PRO.2 INC

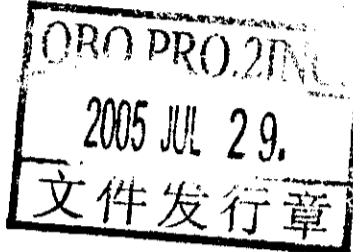
2005 JUL 29.

文件发行章

5. Reliability test

No	Items	Test Conditions	Evaluation Criteria
1	High Temp. Storage	The part shall be capable of withstanding a storage temperature of $+85\pm 2^{\circ}\text{C}$ for 96 hours.	After the test the part shall meet specifications without any degradation in appearance and performance except SPL. SPL shall be 80dB or more.
2	Low Temp. Storage	The part shall be capable of withstanding a storage temperature of $-30\pm 2^{\circ}\text{C}$ for 96 hours.	
3	Thermal Shock	<p>The part shall be subjected to 50 cycle. One cycle shall consist of :</p>  <p>transfer time : 10 minutes</p>	
4	Humidity Test	The part shall be subjected to $+60\pm 2^{\circ}\text{C}$, 92~95% RH for 96 hours, and expose to room temperature for 6 hours.	
5	Vibration	10 - 55 - 10Hz, Sinewave, Sweep 15 min. X,Y,Z 3 Direction 2 hours each, Total 6 hours.	
6	Free Drop	The part only shall be dropped from a height of 150cm onto the 10cm thick hardwood board 10 times , any directions.	

OBO Pro.2**SPECIFICATIONS****MODEL NO.**
OBO-0903E-C2**PART NAME**
Electromagnetic Transducer**SHEET**
6 OF 8

No	Items	Test Conditions	Evaluation Criteria
7	Ordinary Temp. Operating Test	The part shall be subjected to 96 hours at $25 \pm 10^\circ\text{C}$. Input 3.0 Vo-p Squarewave 1/2duty 3200Hz	
8	High Temp. Operating Test	The part shall be subjected to 96 hours at $+60 \pm 2^\circ\text{C}$. Input 3.0 Vo-p Squarewave 1/2duty 3200Hz	
9	Low Temp. Operating Test	The part shall be subjected to 96 hours at $-20 \pm 2^\circ\text{C}$. Input 3.0 Vo-p Squarewave 1/2duty 3200Hz	

Notes

As this product is not protected from foreign material entering, please make sure that any foreign materials (e.g. magnetic powder, washing solvent, flux, corrosive gas) do not enter this product in your production processes. The functional degradation (e.g. SPL down) may occur if foreign material enter it.

OBO Pro.2

SPECIFICATIONS

MODEL NO.
OBO-0903E-C2

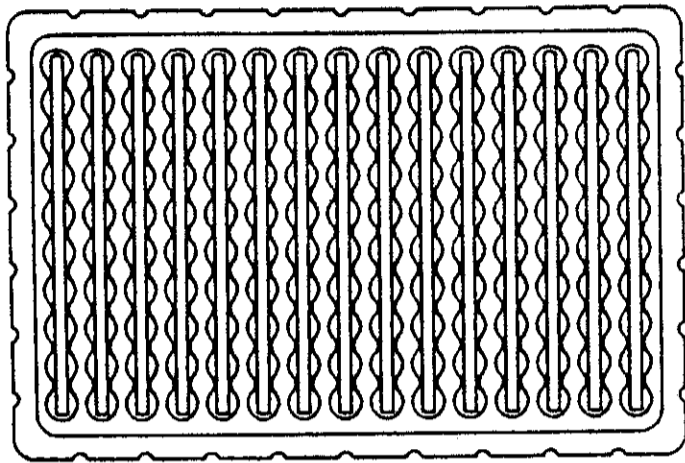
PART NAME
Electromagnetic Transducer

SHEET
7 OF 8

6.Packing

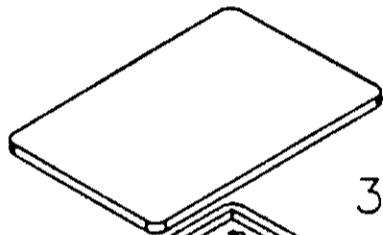
※ 1

2005 JUL 29.
文件发行章

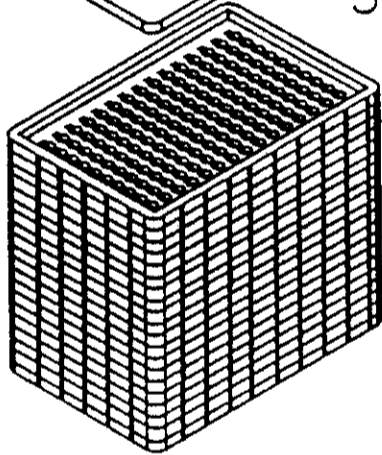


TRAY

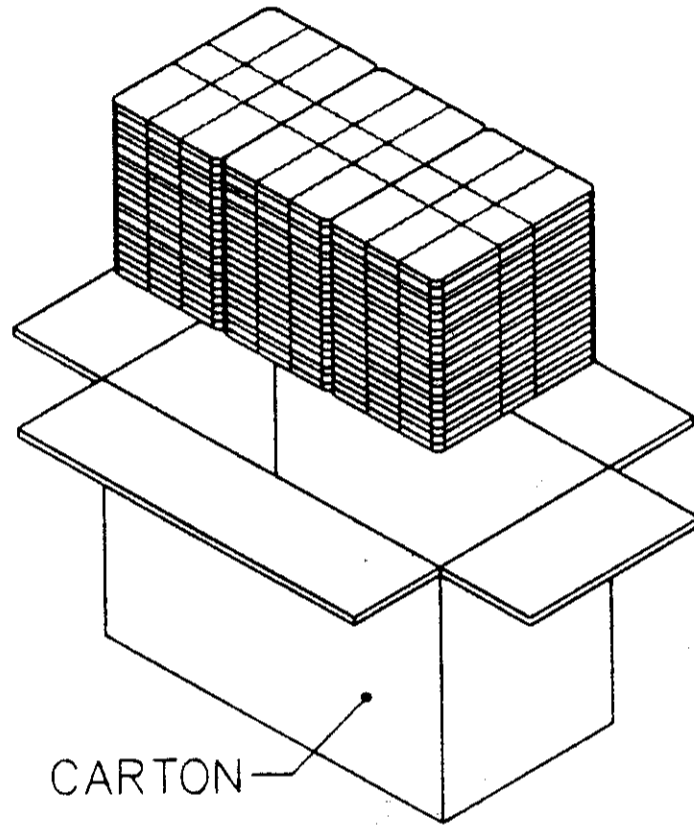
150 PCS/TRAY



3000 PCS/20 TRAY

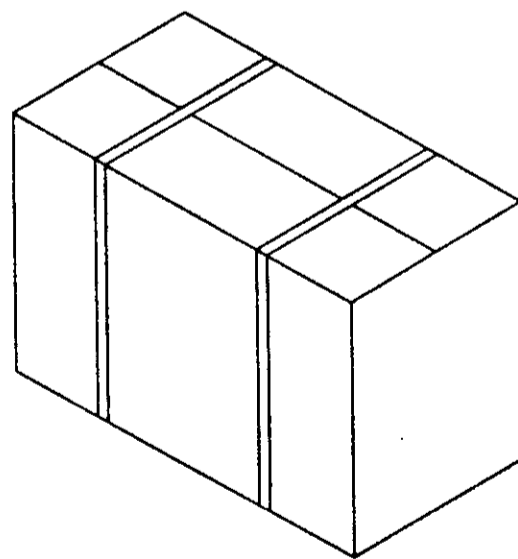


20 TRAY/BAG



CARTON

9000PCS/CARTON

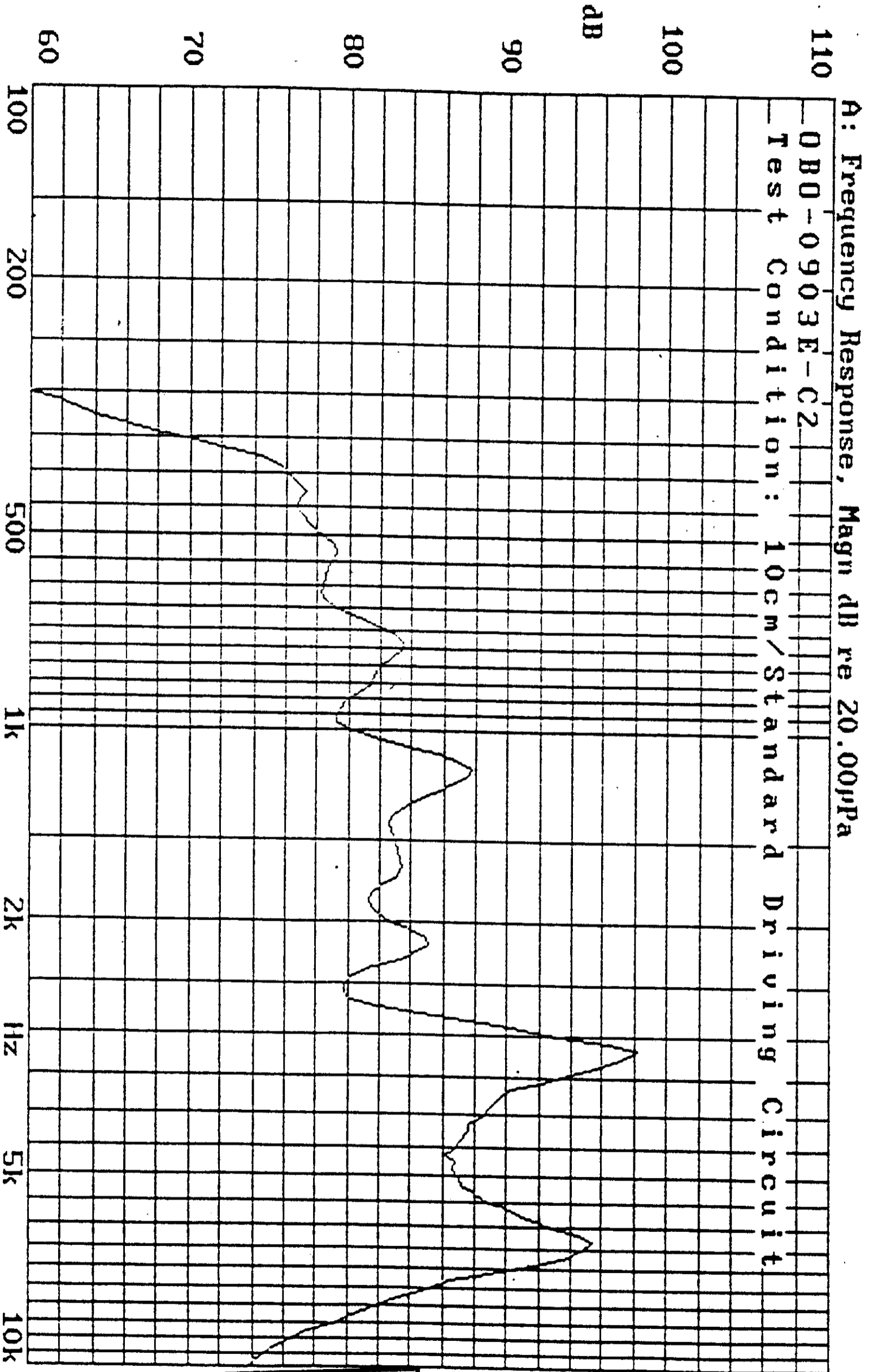


150 PCS/TRAY
3000 PCS/20 TRAY/BAG
9000 PCS/CARTON

X:

Y:

ZA: Live Curve No Curve



12-AUG-2002 13:43:23

Mode: SSR



文件发行章
2005 JUL 29.

次 = 8/x