

MODEL NO : OBO-0905A-A3

Features:Conformity RoHS Directive(2002/95/EC) Requests.

1. General Specifications:

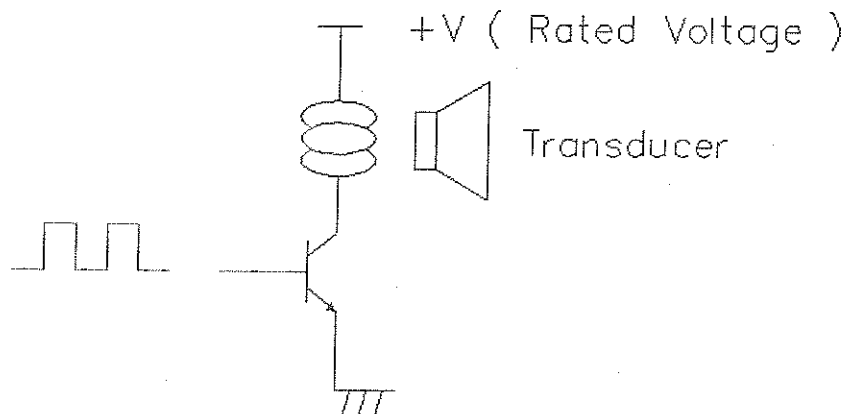
Items	Spec.
Sound Pressure Level	85 dB min./10cm/ 5V
Rated Voltage	5V
Resonant Frequency	2731 Hz
Rated Current	60mA max./ 5V
Coil Resistance	40±4 Ω
Operating Voltage	4 to 6V
Housing Material	PBT
Operating Temp. Range	-30°C to +70°C
Storage Temp. Range	-40°C to +85°C
Weight	1gms

Applying rated voltage/ Resonant Frequency, 1/2 duty Square wave

2. Recommended Driving Circuit:

Signal:

Resonant frequency,1/2 duty cycle, square wave.
signal amplitude should be large enough to saturate
the transistor which drives the buzzer.



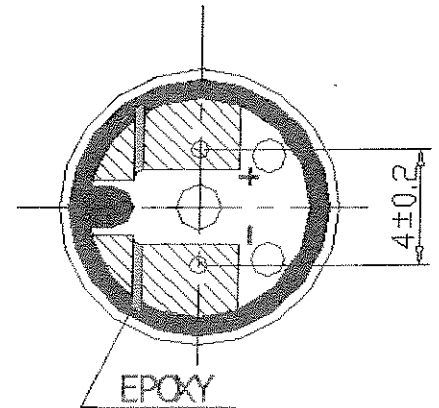
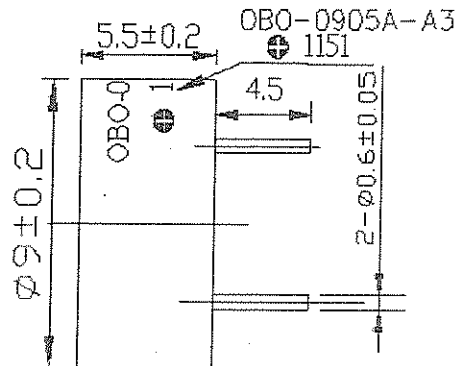
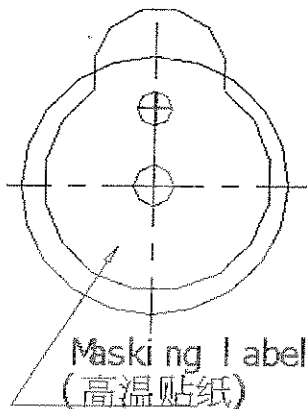
2013 JAN 25

文件发行章

3. Mechanical Layout and Dimensions:

3.1 Dimensions

Tolerance: $\pm 0.5\text{mm}$ Unit: mm



4. Soldering Condition:

4.1 Wave Soldering

Peak temperature	Dipping time	Soldering
+260°C	5 seconds	1 time

4.2 Hand Soldering

Iron Tip Temperature	Soldering time
+380°C Max.	Duration 3 seconds Max.

2013 JAN 25

文件发行章

5. Packing Information :

