

OBO PRO.2 INC.  
 啓弘股份有限公司

No. 18, Yanwu Rd., Taoyuan City, Taiwan 330, R.O.C.  
 TEL: 886-3-346-8636 FAX: 886-3-346-8645~6  
 E-MAIL: obo@obopro2.com Website: www.obo.com.tw

Specification for Approval

NO.:

Part Name : Magnetic Transducer  
 Model No. : OBO-0905B-A2  
 Date : SEP.23,2002

Page	Cover Page	1	2	3	4	5	6	7	8	9	10	11	12	
Version	A	A	A	A										

Please kindly make approval of our samples,  
 And return this form by fax or airmail, Thanks  
 for your kind attention and co-operation

(請對我們公司樣品給予承認, 承認後加蓋承認章以傳真或郵寄方式回覆, 謝謝貴公司的支持與合作)

Customer Name : \_\_\_\_\_

Customer Part No. : \_\_\_\_\_

Designed By	Checked By	Approval By

Model No. : OBO-0905B-A2  
Electromagnetic Transducer

Items		Spec.
Rated Voltage	(V)	5.0
※Resonant Frequency	(Hz)	3,200
※Sound Pressure Level at 10cm	(dB)	mim. 85 (Typ.92dB)
※Rated Current	(mA)	max. 80
Coil Resistance	(Ω)	25 ± 3
Operating Voltage	(V)	3 ~ 7
Operating Temp. Range	(°C)	-30 ~ +70
Storage Temp. Range	(°C)	-40 ~ +80
Weight	(g)	1.0
Housing Material		NORYL

※Applying rated voltage(Rrsonant frequency,1/2 duty,Square wave)

Fig.1:Recommended Driving Circuit

Signal:  
Resonant frequency,1/2 duty cycle, square wave.  
signal amplitude should be large enough to saturate  
the transistor which drives the buzzer.

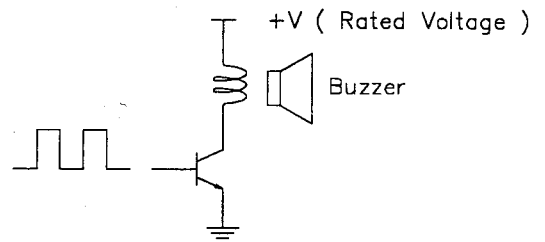
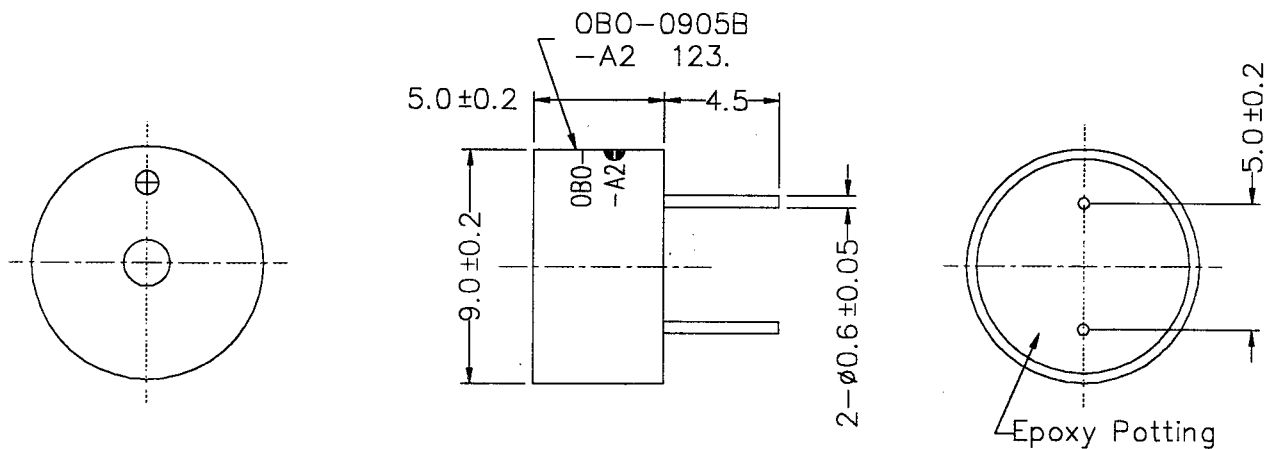


Fig.2 : Outline Drawing

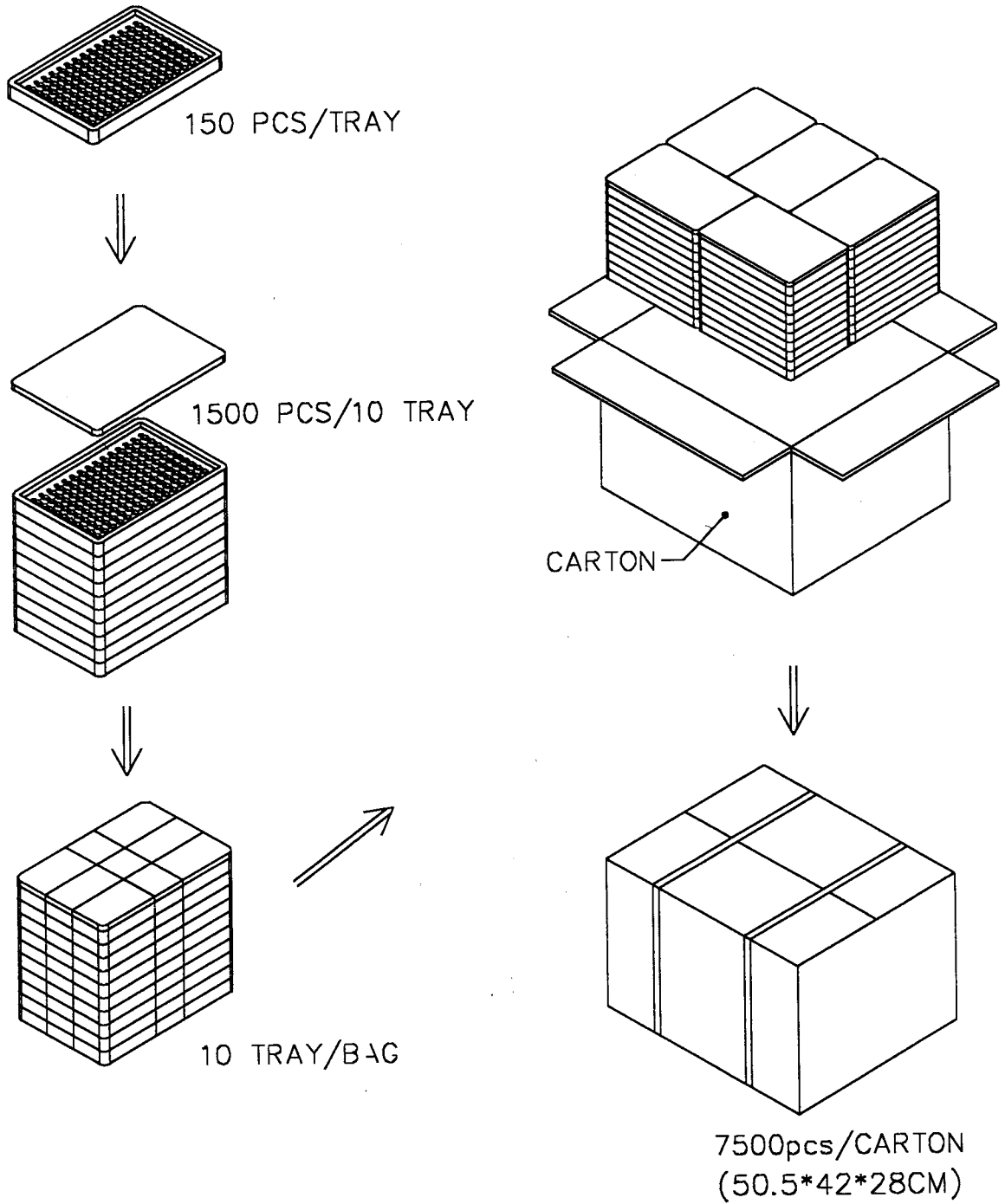
Tolerance: ± 0.5mm



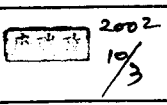


Wave Solder and Wash Not Allowed

Drawing by	Checked by	Approved by	Page No.	Model No.	Version	Date
林 91.9.23 鈺璇	啓弘 91.9.23 吳水文	唐瑞成 2002 10/3	1	O905B-A2	A	SEP.23,2002

Fig.2 : Packing :



Drawing by	Checked by	Approved by	Page No.	Model No.	Version	Date
			2	0905B-A2	A	SEP.23,2002

