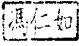


<b>OBO Pro.2</b>	<b>SPECIFICATIONS</b>	<b>MODEL NO.</b> OBO-1001R-A201
	<b>PART NAME</b> Piezoelectric Buzzer	<b>SHEET</b> 1 OF 5

**ALTERNATION HISTORY**

Marking	Date	ECN NO.	REV.	Description	Page	PREPARE BY	APPROVE BY
※1	JUN,22'06	0506007	B	Conformity RoHS Directive ( 2002/95/EC ) Requests.	5		Dannen

REV.	DATE	PREPARED BY	CHECKED BY	APPROVED BY
B	JUN,22,2006	LULU	陳達合	Dannen

<b>OBO Pro.2</b>	<b>SPECIFICATIONS</b>	MODEL NO. OBO-1001R-A201
	PART NAME Piezoelectric Buzzer	SHEET 2 OF 5

**MODEL NO : OBO-1001R-A201**

**Features : Conformity RoHS Directive ( 2002/95/EC ) Requests. <sup>※1</sup>**

**Wave solder and wash not allowed.**

**1. General Specifications :**

Items	Spec
※ Sound Pressure Level	85 dB min./10cm/DC 1.5V
Rated Voltage	DC 1.5V
Resonant Frequency	2730±150 Hz
※ Rated Current	80mA max./DC 1.5V
Coil Resistance	5.5 ± 1 Ω
Operating Voltage	DC 1 to 3 V
Housing Material	NORYL
Operating Temp. Range	-20°C to +70°C
Storage Temp Range	-30°C to +80°C
Weight	1.0 gms

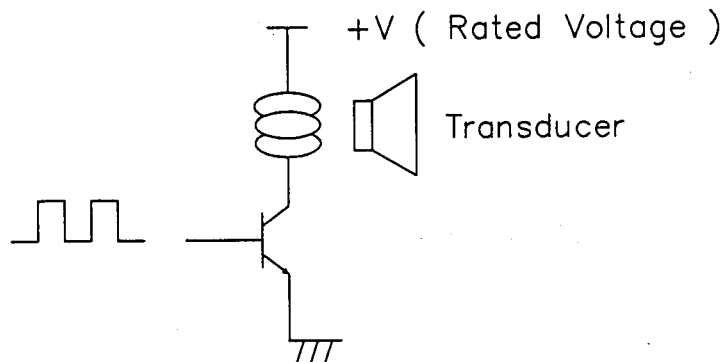
※ Applying rated voltage/ Resonant Frequency , 1/2 duty Square wave

**2. Recommended Driving Circuit:**

Signal:

Resonant frequency, 1/2 duty cycle, square wave.

signal amplitude should be large enough to saturate the transistor which drives the buzzer.

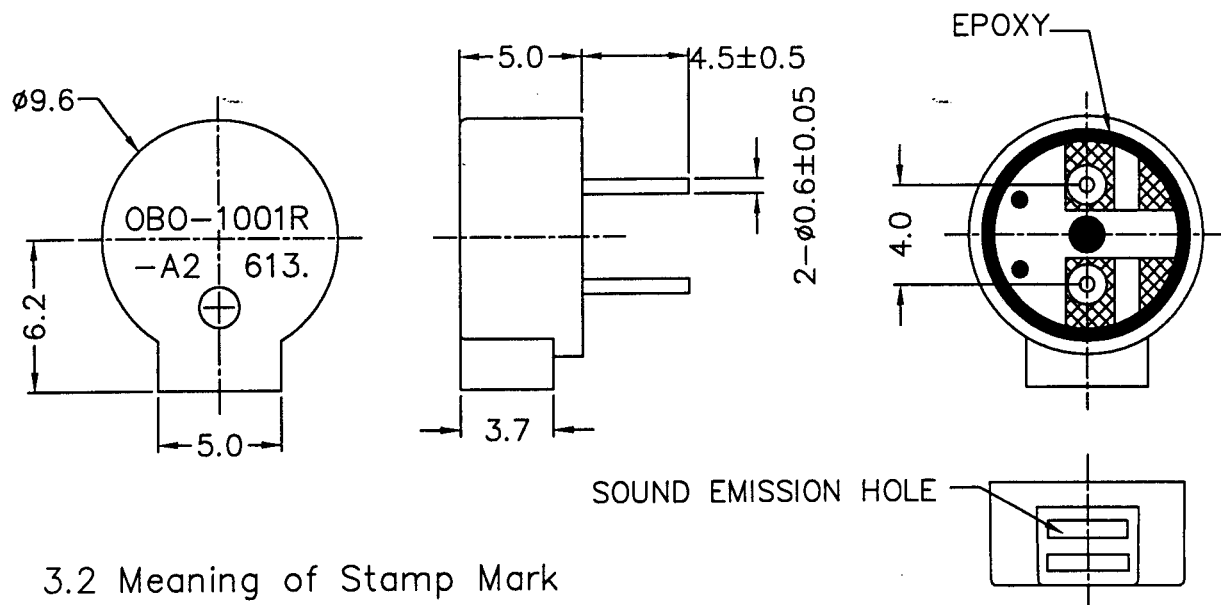


<b>OBO Pro.2®</b>	<b>SPECIFICATIONS</b>	<b>MODEL NO.</b> OBO-1001R-A201
	<b>PART NAME</b> Piezoelectric Buzzer	<b>SHEET</b> 3 OF 5

### 3. Mechanical Layout and Dimensions

#### 3.1 Dimensions

Tolerance: ±0.5mm Unit: mm



#### 3.2 Meaning of Stamp Mark

613 : Production Period

6 : Year 2006 (last 1 figures of the year)

13 : Week (01~55)

### 4. Soldering Condition : ※1

#### 4.1 Wave Soldering

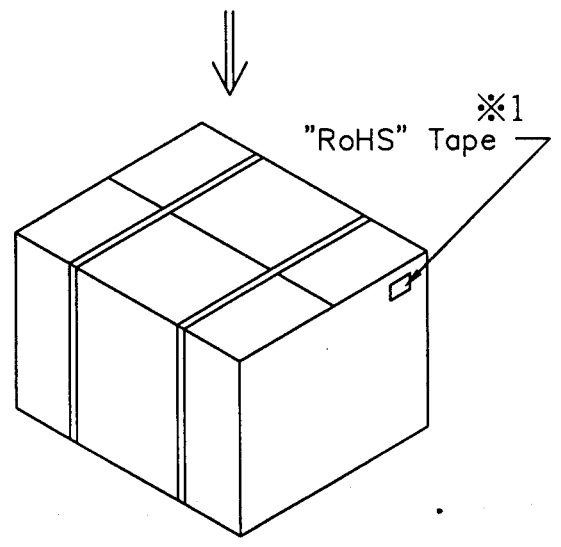
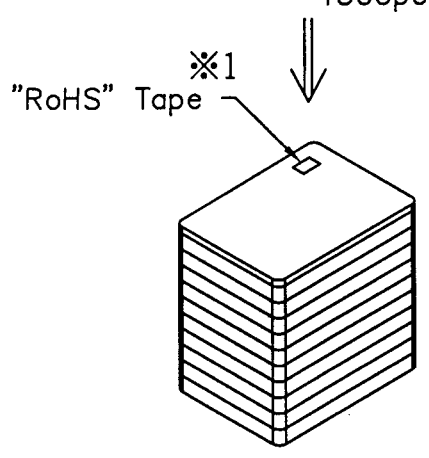
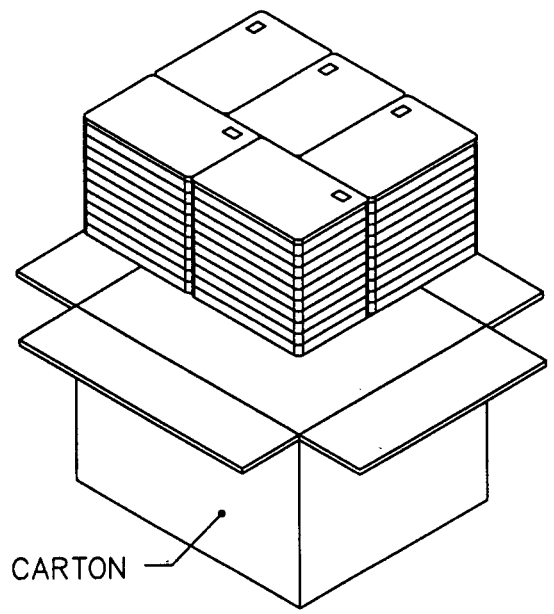
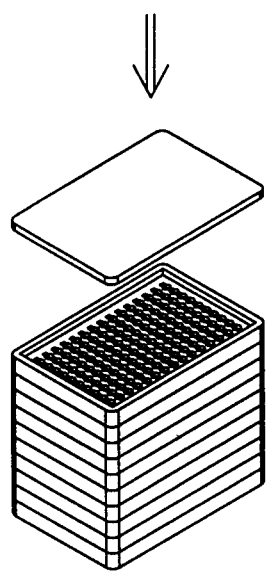
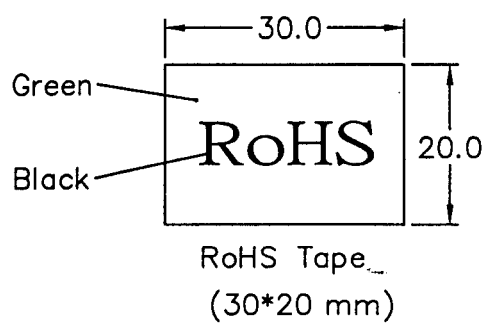
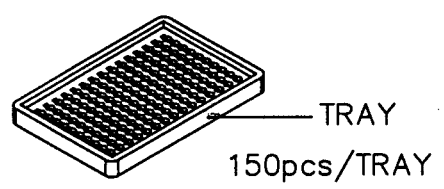
Peak temperature	Dipping time	Soldering
+ 260°C	5 seconds	1 time

#### 4.2 Hand Soldering

Iron Tip Temperature	Soldering time
+ 380°C Max.	Duration 3 seconds Max.

<b>OBO Pro.2</b>	<b>SPECIFICATIONS</b>	<b>MODEL NO.</b> OBO-1001R-A201
	<b>PART NAME</b> Piezoelectric Buzzer	<b>SHEET</b> 4 OF 5

**5. Packing Information :**



7500pcs/CARTON  
(50.5\*42\*28CM)

