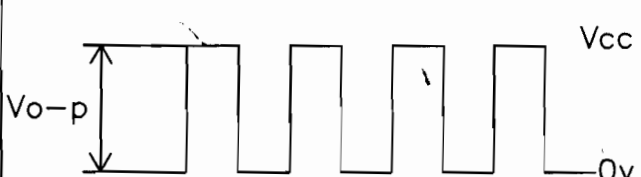


OBO Pro.2®**SPECIFICATIONS****MODEL NO.**
OBO-1005R-A201**PART NAME**
Electromagnetic Transducer**SHEET**
01 OF 1 NC.

2008 SEP 17

文件发行率

MODEL NO. :OBO-1005R-A201**1.General Requirements:**

Items	Spec.	Conditions
1.1 Rated Voltage	5.0V _{o-p}	 <p>Square wave 1/2 Duty</p>
1.2 Operating Voltage	4~6 V _{o-p}	
1.3 Resonant Frequency	2730Hz	
1.4 Sound Pressure Level at 10cm	min. 85dB	Standard State, Standard Drive circuit, Rated Voltage, Distance at 0.1m(A-Weight) 2730Hz Squarewave 1/2 Duty.
1.5 Average Current Consumption	max. 100mA	
1.6 Coil Resistance	30±5 Ω	
1.7 Operating Temp. Range	-20°C ~+60°C	SPL ≥80dB at "1.4"
1.8 Storage Temp. Range	-40°C ~+85°C	
1.9 Housing Material	Noryl	
1.10 Weight	1.0g	

2. Standard test Conditions

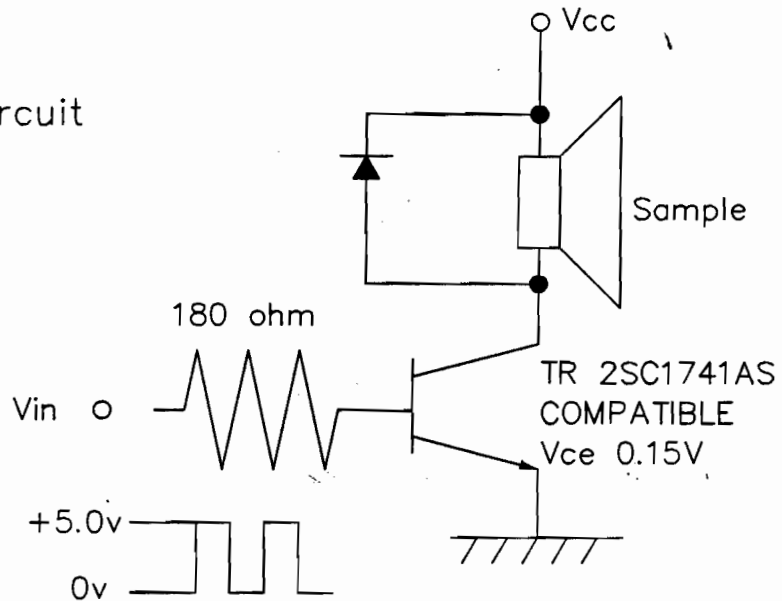
2.1 Standard State	Ordinary Temperature	15°C to 35°C
	Ordinary Humidity	25% to 85%
	Ordinary air pressure	860 to 1060hPa

In case of doubtful judgment, the test is re-performed under Basic State.

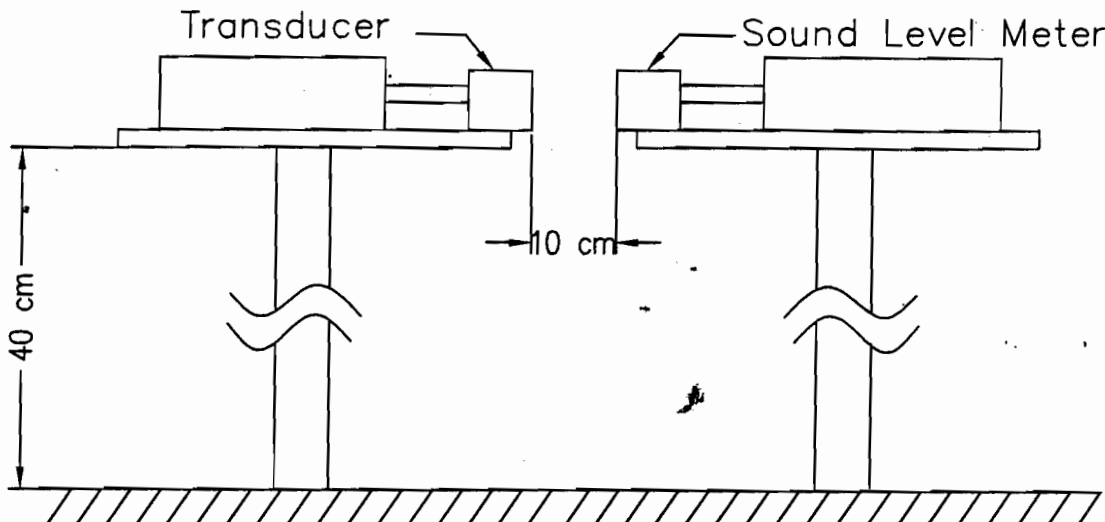
2.2 Basic State	Temperature	20±2°C
	Humidity	60% to 70%
	Ordinary air pressure	860 to 1060hPa

3. Test method

3.1 Standard Drive Circuit



3.2 Standard Test Fixture



OBO Pro.2®

SPECIFICATIONS

MODEL NO.
OBO-1005R-A201

PART NAME
Electromagnetic Transducer

SHEET

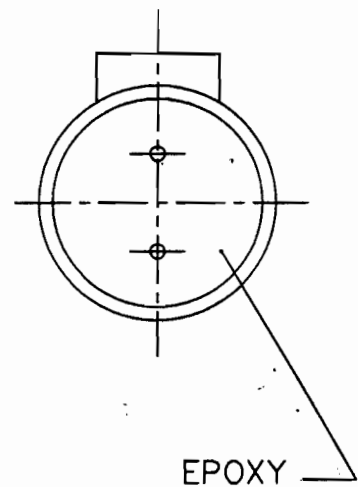
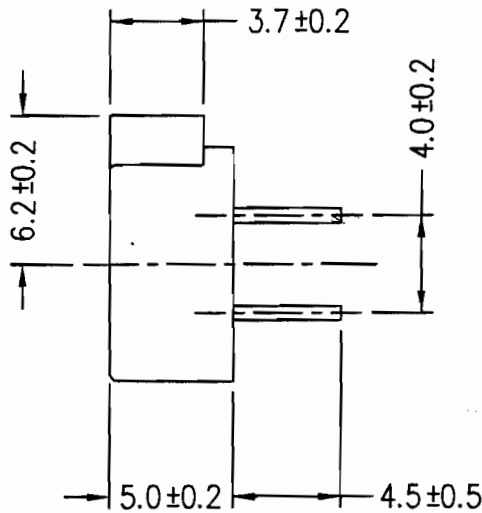
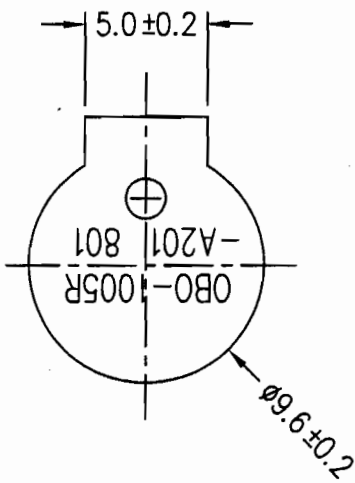
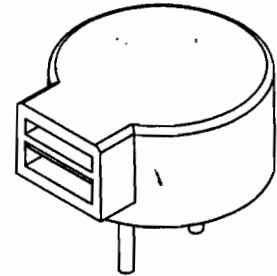
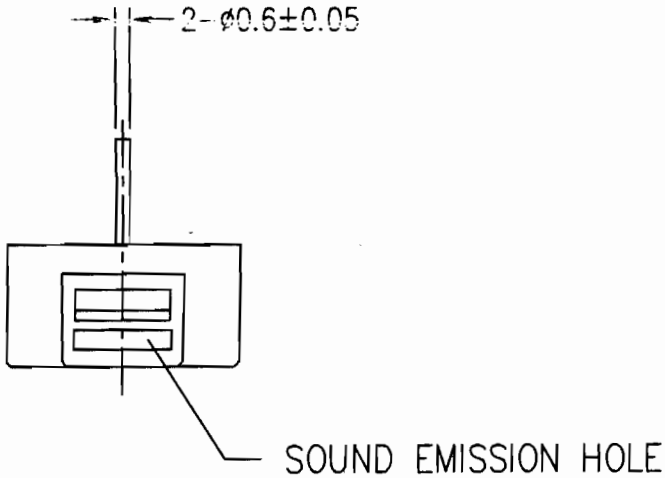
OB4 OF 7

20050717

文件发行章

4.Mechanical Layout and Dimensions

UNIT: mm



Note : Meaning of Stamp Mark

801: Production Lot No.

8 : Year 2005 (last 8 figures of the year)

01 : week (01 ~ 55)

1005R-A201 : Model No.

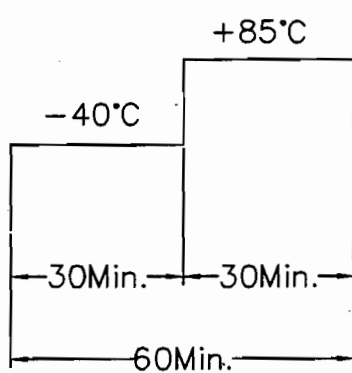
⊕ : Polarity identification mark

OBO Pro.2®**SPECIFICATIONS****MODEL NO.**
OBO-1005R-A201**PART NAME**
Electromagnetic Transducer**SHEET**
OBO P5 OF 7 AC.

2008 SEP 17

文件发行章

5. Reliability test

No	Items	Test Conditions	Evaluation Criteria
1	High Temp. Storage	The part shall be capable of withstanding a storage temperature of +85°C for 240 hours.	After the test the part shall meet specifications without any degradation in appearance and performance except SPL. SPL shall be 80dB or more.
2	Low Temp. Storage	The part shall be capable of withstanding a storage temperature of -40°C for 240 hours.	
3	Thermal Shock	<p>The part shall be subjected to 50 cycle. One cycle shall consist of :</p>  <p>transfer time : 10 minutes</p>	
4	Humidity Test	The part shall be subjected to +60°C, 90% RH for 240 hours, and expose to room temperature for 6 hours.	
5	Vibration	10 - 55 - 10Hz, Sinewave, Sweep 15 min. X,Y,Z 3 Direction 2 hours each, Total 6 hours.	
6	Free Drop	The part only shall be dropped from a height of 150cm onto the 4cm thick hardwood board 10 times in any directions.	

OBO Pro.2®**SPECIFICATIONS****MODEL NO.**
OBO-1005R-A201**PART NAME**
Electromagnetic Transducer**SHEET**
6 OF 7 INC.

2008 SEP 17

文件发行章

No	Items	Test Conditions	Evaluation Criteria
7	Ordinary Temp. Operating Test	The part shall be subjected to 240 hours at $25 \pm 10^\circ\text{C}$. Input 5.0Vp-p Squarewave 1/2duty 2730Hz	
8	High Temp. Operating Test	The part shall be subjected to 240 hours at $+60^\circ\text{C}$. Input 5.0Vp-p Squarewave 1/2duty 2730Hz	
9	Low Temp. Operating Test	The part shall be subjected to 240 hours at -20°C . Input 5.0Vp-p Squarewave 1/2duty 2730Hz	
10	Hand Solder	Iron tip temp. : $350 \pm 10^\circ\text{C}$ Duration : MAX. 2sec	

Notes

As this product is not protected from foreign material entering, please make sure that any foreign materials (e.g. magnetic powder, washing solvent, flux, corrosive gas) do not enter this product in your production processes.

The functional degradation (e.g. SPL down) may occur if foreign material enter it.

OBO Pro.2®

SPECIFICATIONS

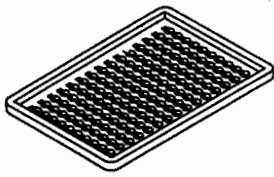
MODEL NO.
OBO-1005R-A201

PART NAME
Electromagnetic Transducer

SHEET
7 OF 7

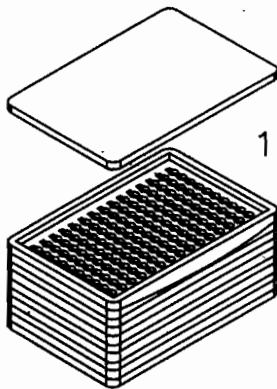
文件发行章

6.Packing

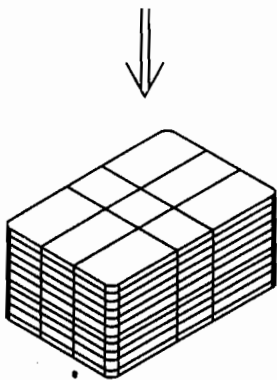


TRAY

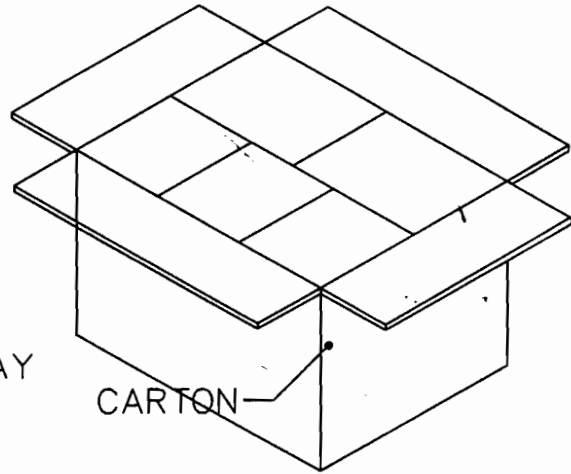
150 PCS/TRAY



1500 PCS/10 TRAY

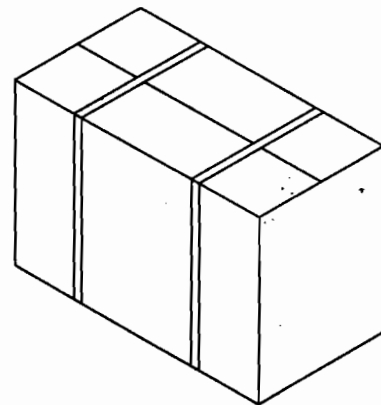


10 TRAY/BAG



CARTON

7500PCS/5BAG/CARTON



150 PCS/TRAY
1500 PCS/10 TRAY/BAG
7500 PCS/CARTON