

OBO Pro.2	SPECIFICATIONS	MODEL NO. OBO-1201A-A2
	PART NAME Magnetic Transducer	SHEET 2 OF 5

MODEL NO : OBO-1201A-A2

Features : Conformity RoHS Directive (2002/95/EC) Requests. ※1

Wave Solder And Wash Allowed.

1、General Specifications :

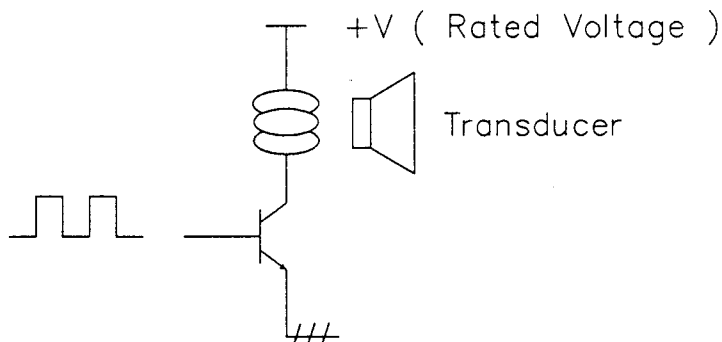
Items	Specification
※ Sound Pressure Level	75 dB min./10cm/DC1.5V
Rated Voltage	DC 1.5V
Resonant Frequency	2400 Hz
※ Rated Current	70 mA max./DC1.5V
Coil Resistance	6.5 ± 1 Ω
Operating Voltage	DC 1 to 2 V
Housing Material	NORYL
Operating Temp. Range	-20°C to +70°C
Storage Temp Range	-30°C to +80°C
Weight	2.0 gms

※ Applying rated voltage/ Resonant Frequency , 1/2 duty Square wave

2、Recommended Driving Circuit:

Signal:

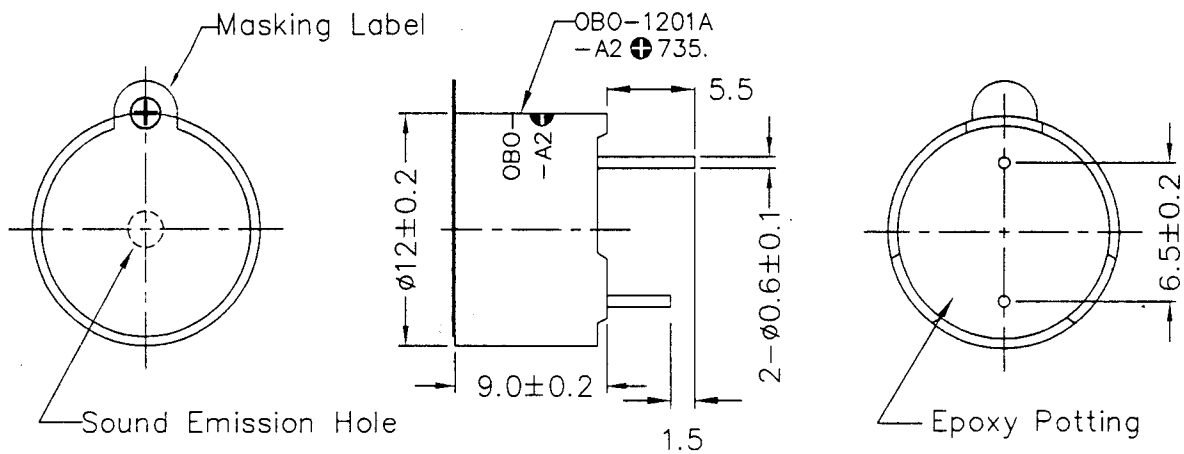
Resonant frequency, 1/2 duty cycle, square wave.
signal amplitude should be large enough to saturate the transistor which drives the buzzer.



OBO Pro.2	SPECIFICATIONS	MODEL NO. OBO-1201A-A2
	PART NAME Magnetic Transducer	SHEET 3 OF 5

3、Appearance and Dimensions :

Tolerance: $\pm 0.5\text{mm}$ Unit: mm



* Meaning of Stamp Mark

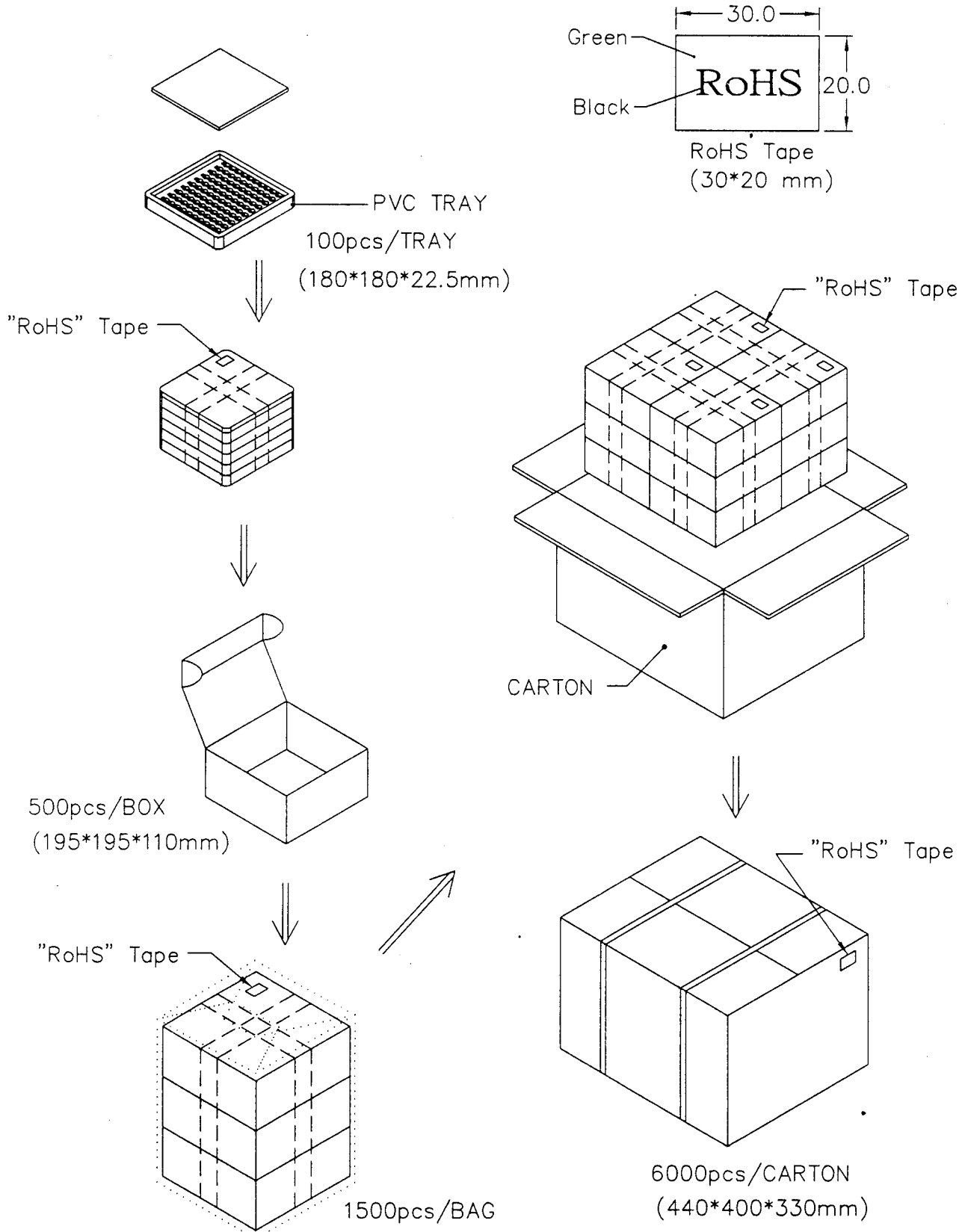
735 : Production Period

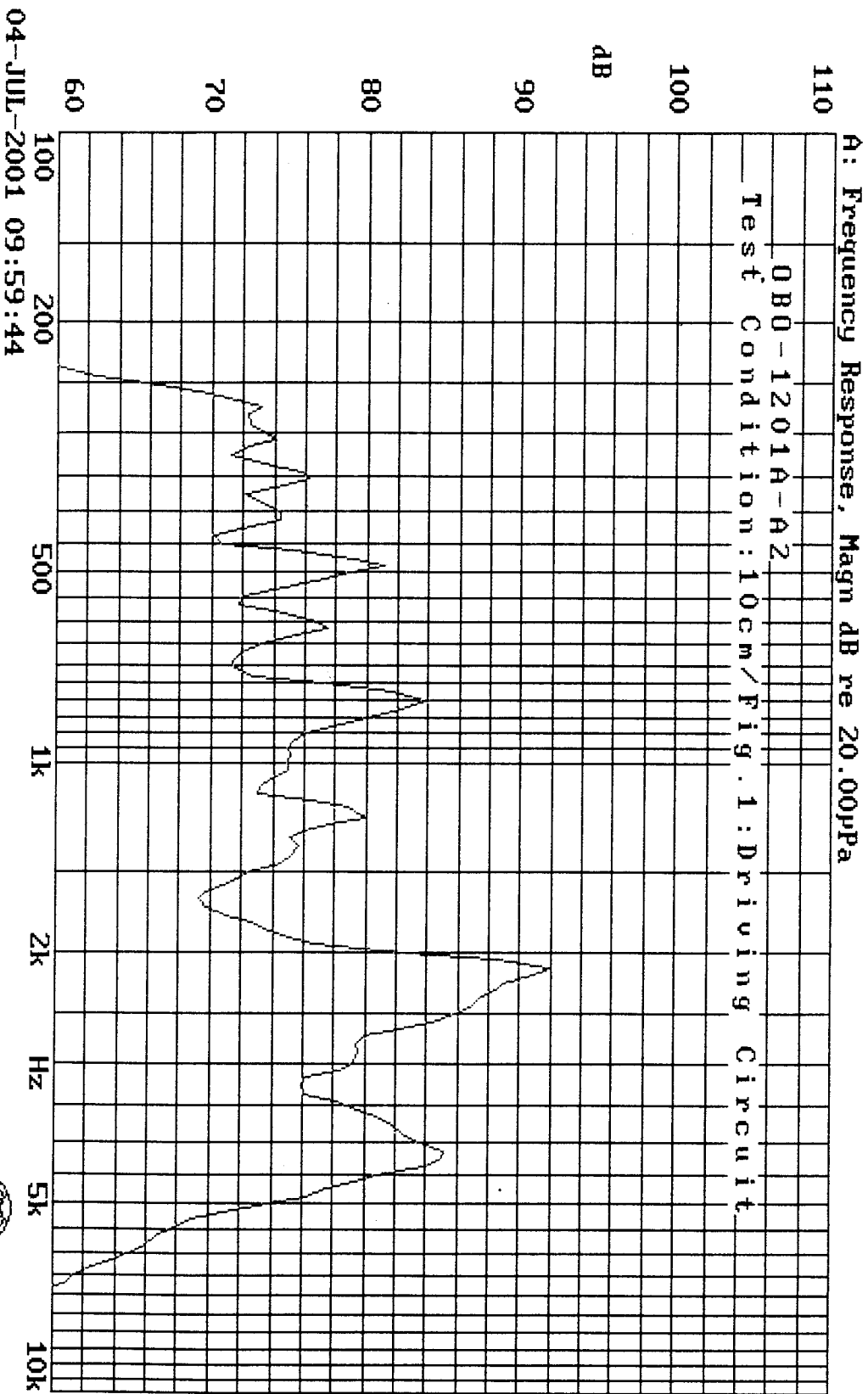
7 : Year 2007 (last 1 figures of the year)

35 : Week (01~55)

OBO Pro.2	SPECIFICATIONS	MODEL NO. OBO-1201A-A2
	PART NAME Magnetic Transducer	SHEET 4 OF 5

4、Packing Information : ※1





Mode: SSR

