

<b>OBO Pro.2</b>	<b>SPECIFICATIONS</b>	MODEL NO. OBO-1201W-A1
	PART NAME Magnetic Transducer	SHEET 1 OF 5

**ALTERNATION HISTORY**

Marking	Date	ECN NO.	REV.	Description	Page	PREPARE BY	APPROVE BY
※1	APR,20'06	0512008	E	1.Conformity RoHS Directive ( 2002/95/EC ) Requests.	5	簡沛玲	陳達合

REV.	DATE	PREPARED BY	CHECKED BY	APPROVED BY
E	APR,20,2006	PEI LING	陳達合	陳達合

<b>OBO Pro.2</b>	<b>SPECIFICATIONS</b>	<b>MODEL NO.</b> OBO-1201W-A1
	<b>PART NAME</b> Magnetic Transducer	<b>SHEET</b> 2 OF 5

**MODEL NO : OBO-1201W-A1**

**Features : Conformity RoHS Directive ( 2002/95/EC ) Requests. ※1**

**1. General Specifications :**

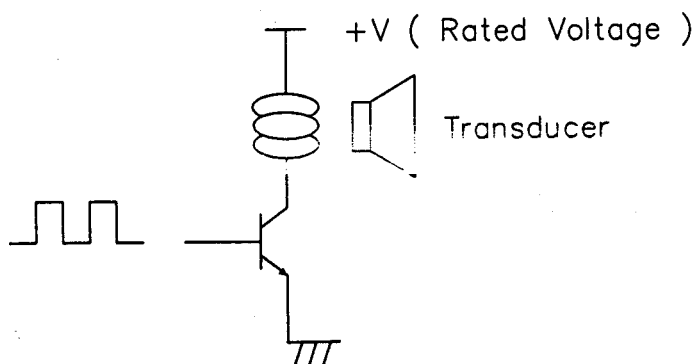
Items	Spec
※ Sound Pressure Level	85 dB min./10cm/ 1.5V
Rated Voltage	1.5V
Resonant Frequency	2731 Hz
※ Rated Current	70 mA max./ 1.5V
Coil Resistance	6.5 ± 1Ω
Operating Voltage	1 to 3V
Housing Material	NORYL
Operating Temp. Range	-20°C to +70°C
Storage Temp Range	-30°C to +80°C
Weight	1.4 gms ※1

※ Applying rated voltage/ Resonant Frequency , 1/2 duty Square wave

**2. Recommended Driving Circuit :**

Signal :

Resonant frequency, 1/2 duty cycle, square wave.  
signal amplitude should be large enough to saturate the transistor which drives the buzzer.

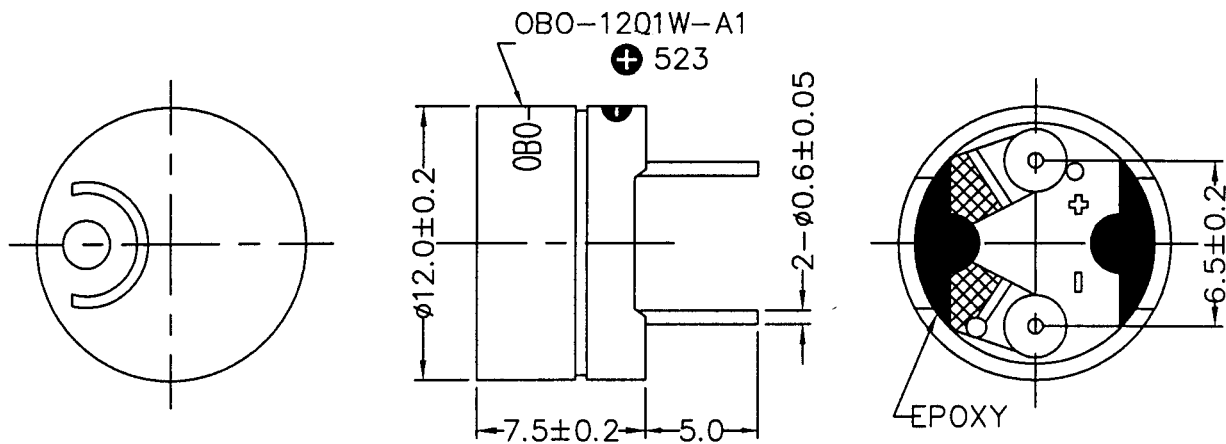


<b>OBO Pro.2</b>	<b>SPECIFICATIONS</b>	MODEL NO. OBO-1201W-A1
	PART NAME Magnetic Transducer	SHEET 3 OF 5

### 3. Mechanical Layout and Dimensions :

#### 3.1 Dimensions

Tolerance:  $\pm 0.5\text{mm}$  Unit: mm



Wash Not Allowed

#### 3.2 Meaning of Stamp Mark

523 : Production Period

5 : Year 2005 (last 1 figures of the year)

23 : Week (01~55)

### 4. Hand Soldering ※1

Iron Tip Temperature	Soldering time
+ 380°C Max.	Duration 3 seconds Max.

<b>OBO Pro.2</b>	<b>SPECIFICATIONS</b>	<b>MODEL NO.</b> OBO-1201W-A1
	<b>PART NAME</b> Magnetic Transducer	<b>SHEET</b> 4 OF 5

**5. Packing Information :**

