

MODEL NO : OBO-1212A-C2

Features : Conformity RoHS Directive (2002/95/EC) Requests.

Wave solder and wash allowed.

1. General Specifications :

Items	SPEC
※ Sound Pressure Level	85 dB min./10cm/DC 12V
Rated Voltage	DC 12V
Resonant Frequency	2400 Hz
※ Rated Current	40mA max./DC 12V
Coil Resistance	140 ±14Ω
Operating Voltage	DC 6 to 15 V
Housing Material	NORYL
Operating Temp. Range	-40°C to +85°C
Storage Temp Range	-40°C to +85°C
Weight	2.0 gms

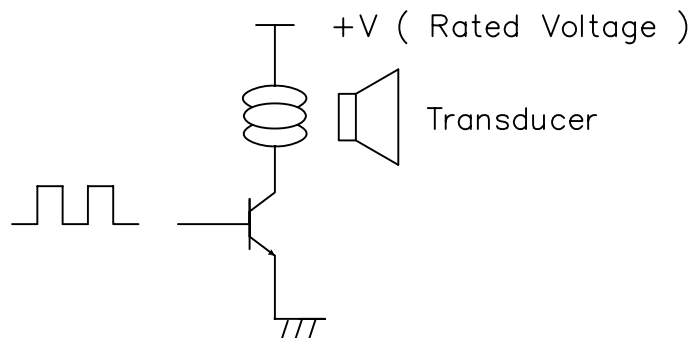
※ Applying rated voltage/ Resonant Frequency , 1/2 duty Square wave

2. Recommended Driving Circuit:

Signal:

Resonant frequency, 1/2 duty cycle, square wave.

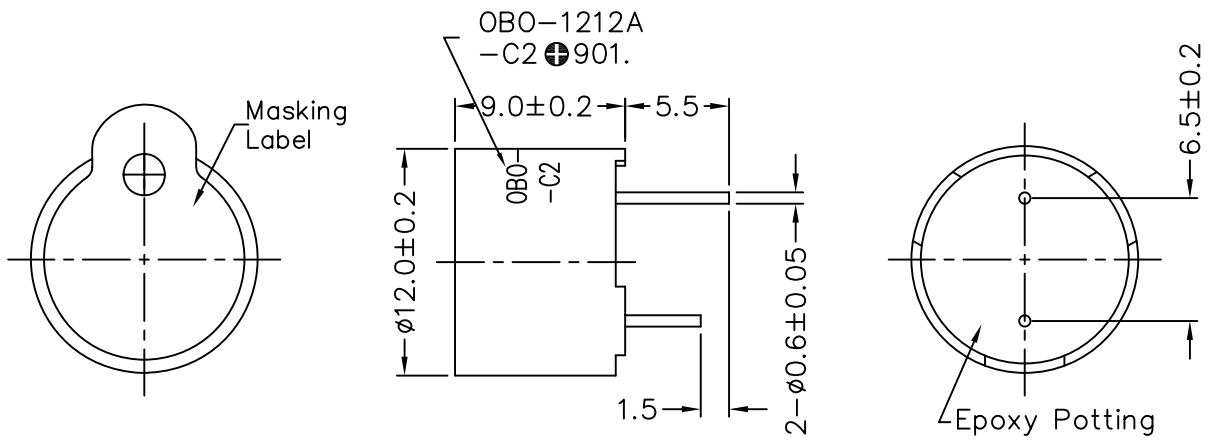
signal amplitude should be large enough to saturate the transistor which drives the buzzer.



3. Mechanical Layout and Dimensions :

3.1 Dimensions

Tolerance: $\pm 0.5\text{mm}$ Unit: mm



Wave Solder And Wash Not Allowed

3.2 Meaning of Stamp Mark

901 : Production Period

9 : Year 2009 (last 1 figures of the year)

01 : Week (01~55)

4. Soldering Condition :

4.1 Wave Soldering

Peak temperature	Dipping time	Soldering
+ 260°C	5 seconds	1 time

4.2 Hand Soldering

Iron Tip Temperature	Soldering time
+ 380°C Max.	Duration 3 seconds Max.

5. Packing Information :

