



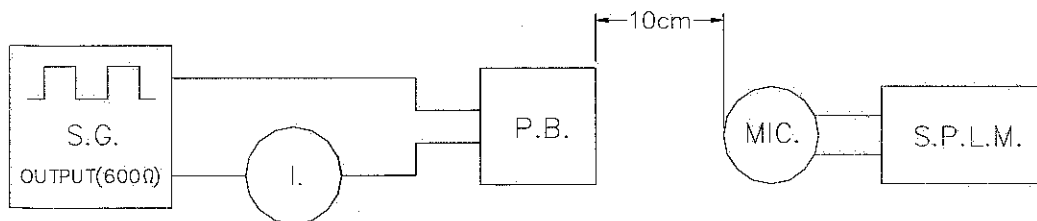
**MODEL NO : OBO-12240SG**

Features : External drive.

Conformity RoHS Directive(2002/95/EC) Requests.

**1. General Specifications:**

|     | Items                   | Spec.   |
|-----|-------------------------|---|
| 1.1 | Sound Pressure Level    | 81dB Min. at 4.0KHz/5.0Vp-p Square Wave/10cm. |
| 1.2 | Capacitance             | 16,000pF±30% at 100Hz                         |
| 1.3 | Current Consumption     | 5mA Max. at 4.0KHz/5.0Vp-p Square Wave        |
| 1.4 | Allowable Input Voltage | 25Vp-p Max.                                   |
| 1.5 | Case Material           | LCP( Black )                                  |
| 1.6 | Lead Pin Material       | Tin Plated Brass(Sn)                          |
| 1.7 | Operating Temp. Range   | -40°C to +120°C                               |
| 1.8 | Storage Temp. Range     | -40°C to +120°C                               |
| 1.9 | Weight                  | 0.4 gms                                       |

**2. Test Method :****2.1 Standard Test Diagram**

S.G. : GAG-808G Audio Generator or Equivalent

S.P.L.M. : Sound Pressure Level Meter IEC651 TYPE2

I. : GDM-8145 Multimeter or Equivalent

P.B. : Piezoelectric Buzzer

Note: please pay attention never to be applied DC voltage to piezo sounder.**2.2 Measuring condition**

Part shall be measured under a condition

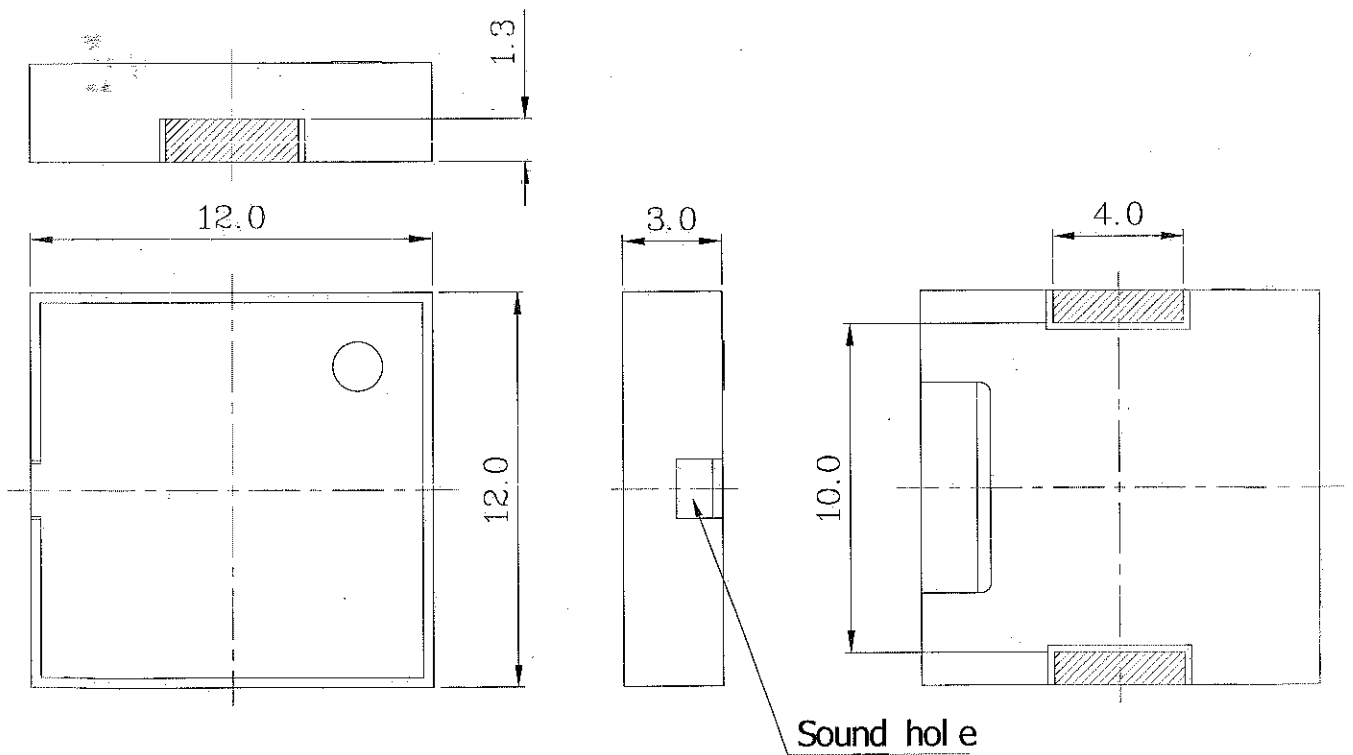
(Temperature: +5°C to +35°C, Humidity: 45% to 85%R.H.)

unless the standard condition (Temperature: +25±3°C,

Humidity: 60±10%R.H.) is regulated to measure.

**3. Mechanical Layout and Dimensions:**

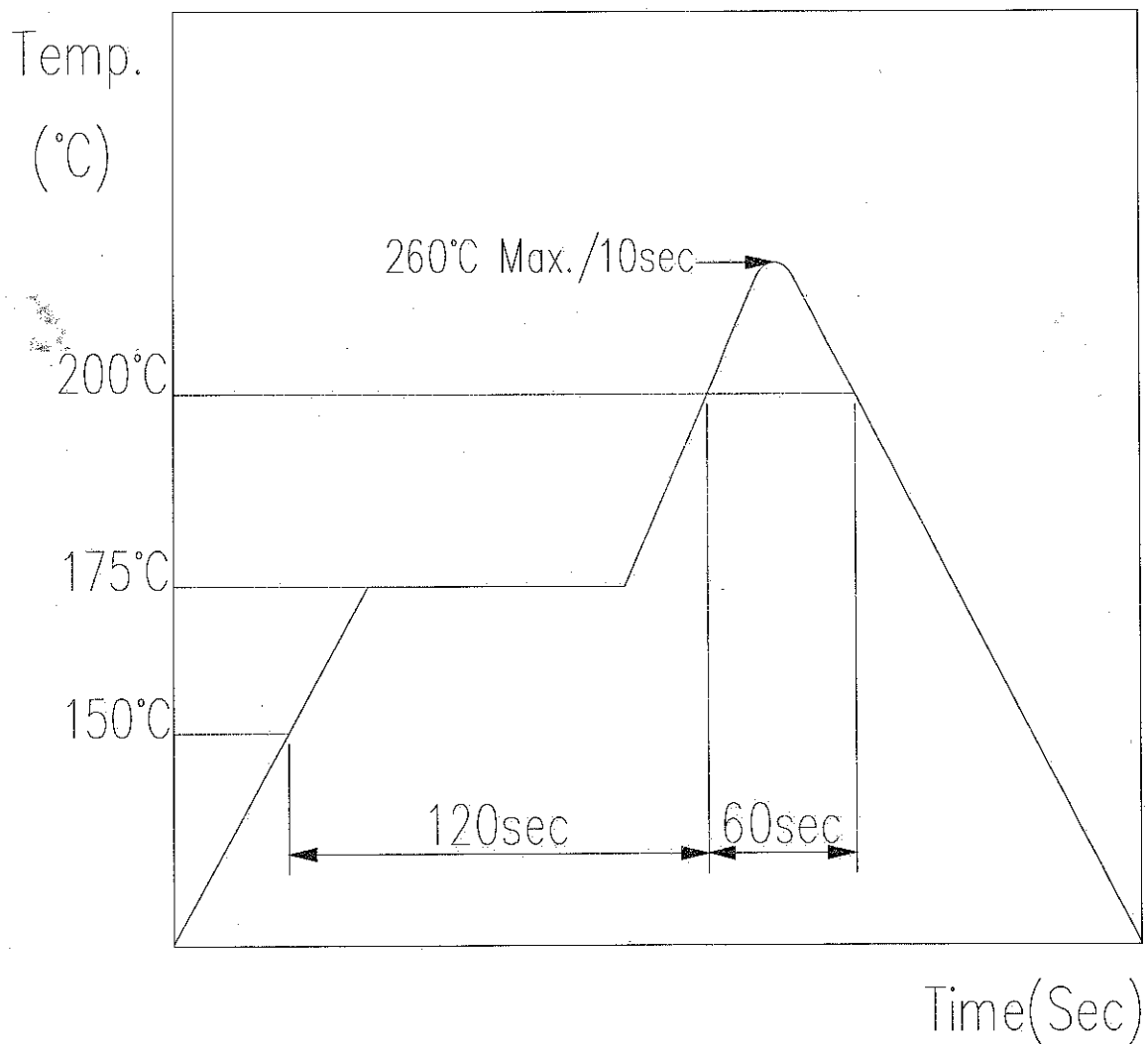
## 3.1 Dimendions

Tolerance:  $\pm 0.3\text{mm}$  Unit: mm

**4. Soldering Condition :****4.1 Reflow Soldering**

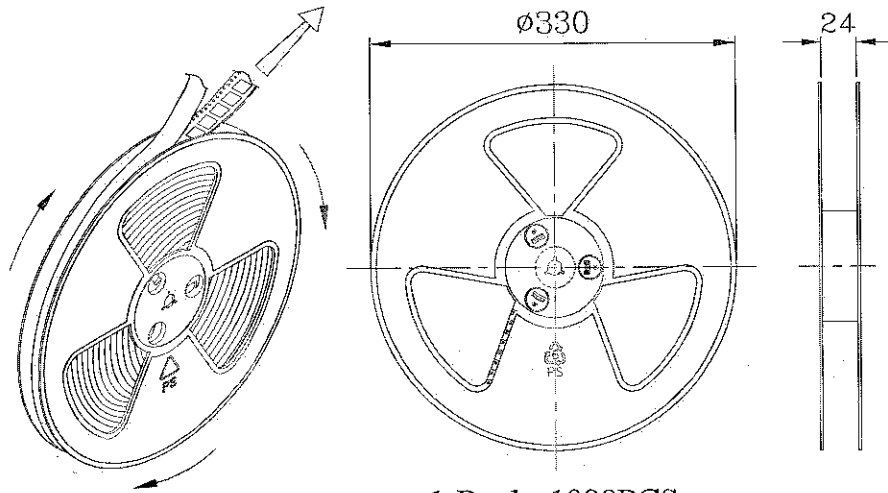
Recommendable reflow soldering condition is as follows. (Reflow soldering is twice)

Note : It is requested that reflow soldering should be executed after heat of product goes down to normal.

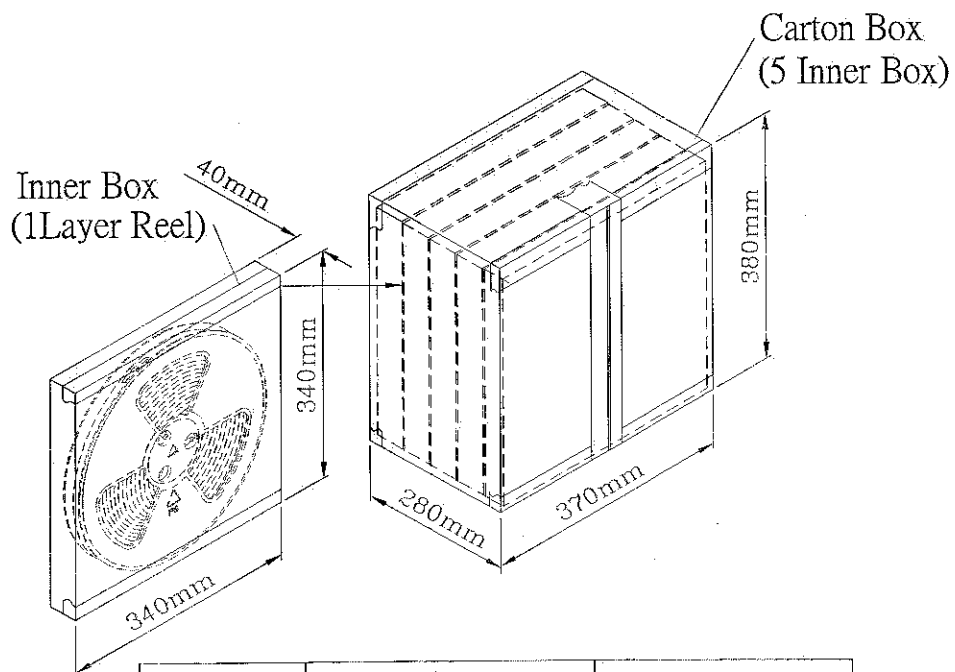
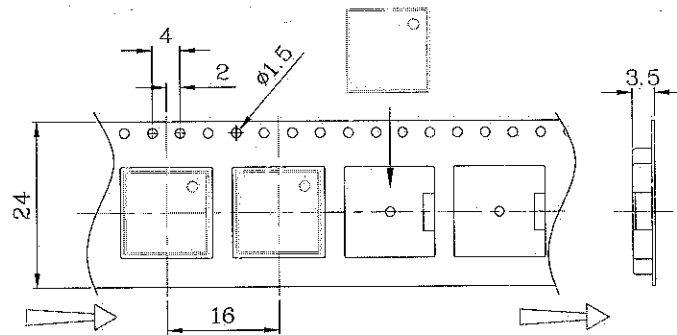
**4.2 Hand Soldering**

Soldering iron temperature 350°C less than 5 second.

### 5. Packing Information :



1 Reel : 1000PCS



|            |                   |                    |
|------------|-------------------|--------------------|
| Inner Box  | 340mmx340mmx40mm  | 1x1000PCS=1000PCS  |
| Carton Box | 380mmx370mmx280mm | 5x1000PCS=5,000PCS |