

<b>OBO.Pro.2.</b>	<b>SPECIFICATIONS</b>	<b>MODEL NO.</b> OBO-20338
	<b>PART NAME</b> Piezoelectric Buzzer	<b>SHEET</b> 1 OF 4

**ALTERNATION HISTORY**

Marking	Date	ECN NO.	REV.	Description	Page	PREPARE BY	APPROVE BY
⚠	NOV,25'04	DG0410001	E	Pb-free Soldering	4	PHOENIX	<i>[Signature]</i>

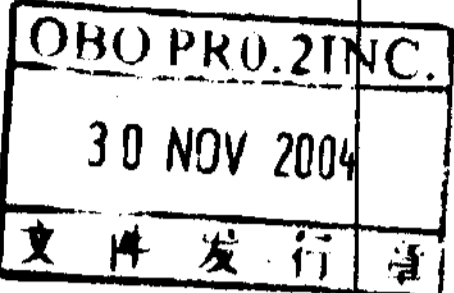
**OBO PRO.2 INC.**  
 30 NOV 2004  
 文件发行章

REV.	DATE	PREPARED BY	CHECKED BY	APPROVED BY
E	NOV,25'2004	<i>[Signature]</i> 11/25'04	<i>[Signature]</i>	<i>[Signature]</i>

**OBO.Pro.2.****SPECIFICATIONS**MODEL NO.  
OBO-20338PART NAME  
Piezoelectric BuzzerSHEET  
2 OF 4

Model No. : OBO-20338

Features : Self drive &amp; Pb-free Soldering Type

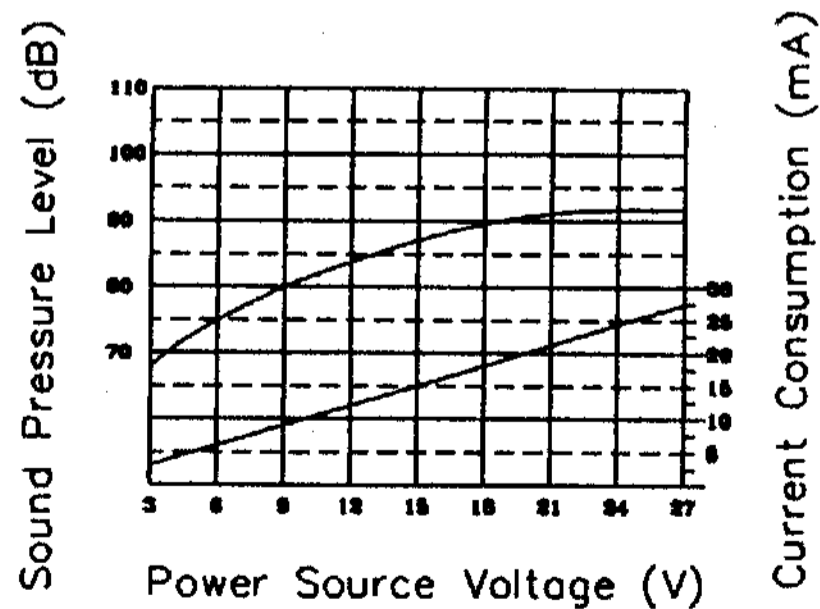


## 1. General Requirements

Items	Spec.
Sound Pressure Level	80dB Min. /DC9V/30cm.
Oscillating Frequency	3.8 ± 0.5KHz
Current Consumption	9mA Max. /DC9V
Operating Voltage	DC3V to 27V
Case Material	ABS(UL 94HB)
Operating Temp. Range	-20°C to +60°C
Storage Temp. Range	-30°C to +70°C
Weight	2.0 gms

## 2. Voltage/Sound Pressure /Current Consumption

Measurement Distance : 30cm  
 Sound Level Meter By B&K-2232  
 Current Consumption By GDM-8145  
 DC Power Supply By GPC-3030D  
 Measurement By Recommended Circuit



**OBO.Pro.2.**

**SPECIFICATIONS**

**MODEL NO.**  
OBO-20338

**PART NAME**  
Piezoelectric Buzzer

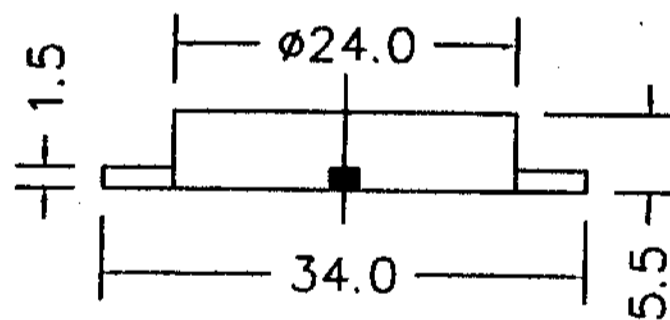
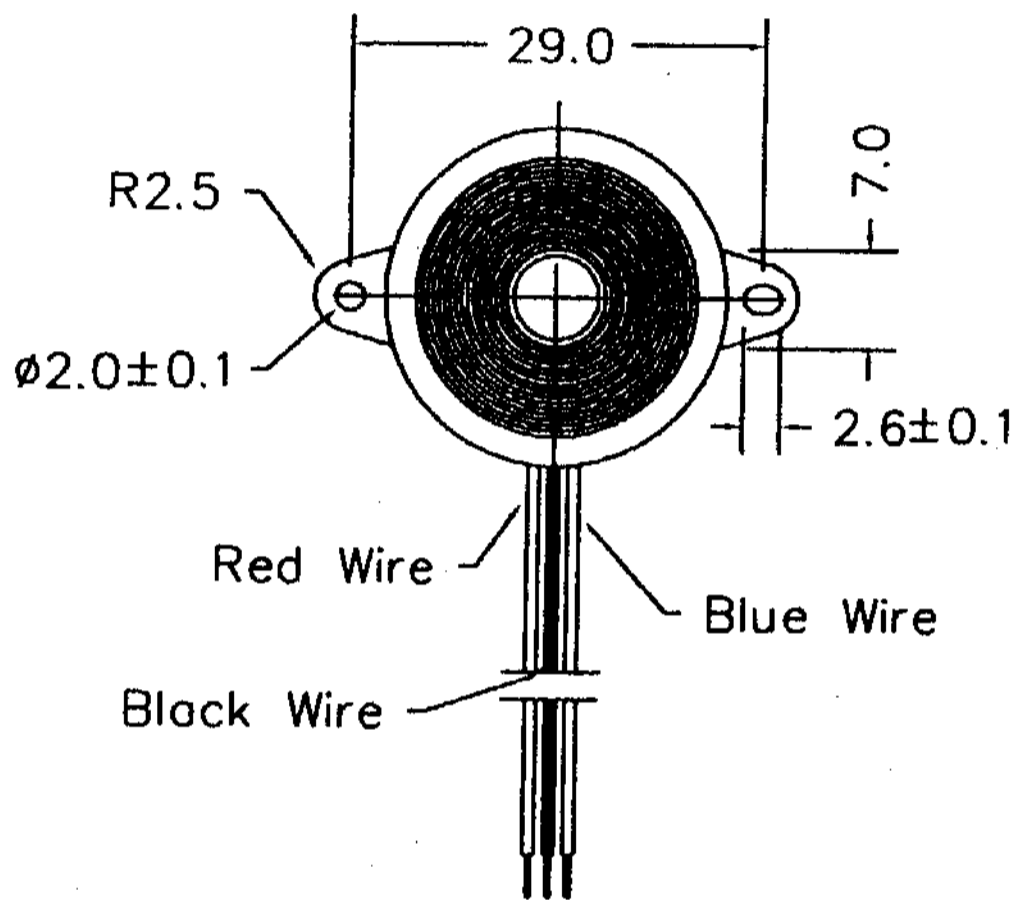
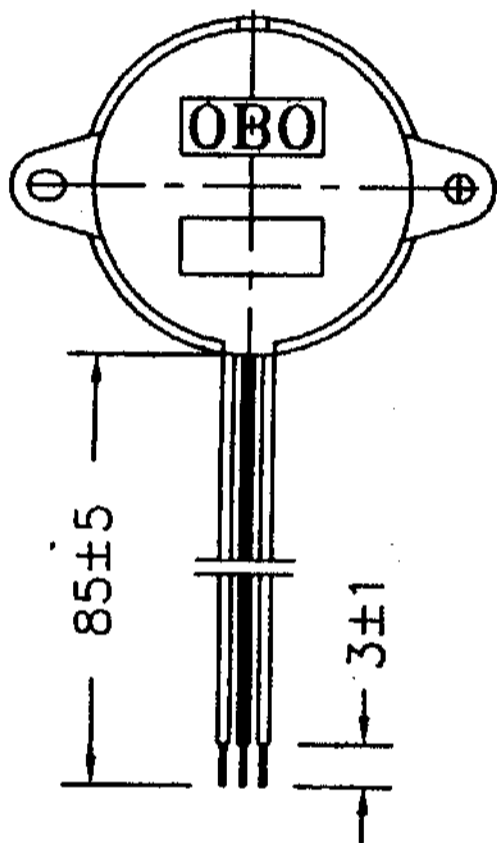
**SHEET**  
3 OF 4

3. Appearance and Dimensions

Unit : mm

Tolerance :  $\pm 0.5$

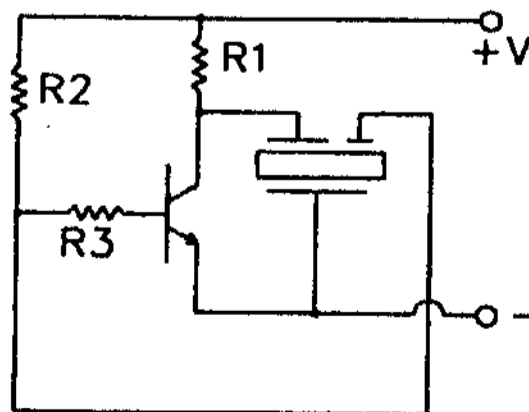
OBO PRO.2 INC.
30 NOV 2004
文件发行章



Customer	Lead Wire
Standard	UL1571#32

4. Recommended circuit

R1: 561  
R2: 154  
R3: 562  
Tr: 2SC2458Y



# OBO.Pro.2.

## SPECIFICATIONS

MODEL NO.  
OBO-20338

PART NAME  
Piezoelectric Buzzer

SHEET  
4 OF 4

### 5. Soldering condition

Hand soldering / touchup

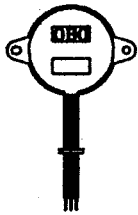
soldering iron tip temperature 380 °C for 3 seconds.

OBO PRO.2INC

30 NOV 2004

文件发行

### 6. Package



Buzzer

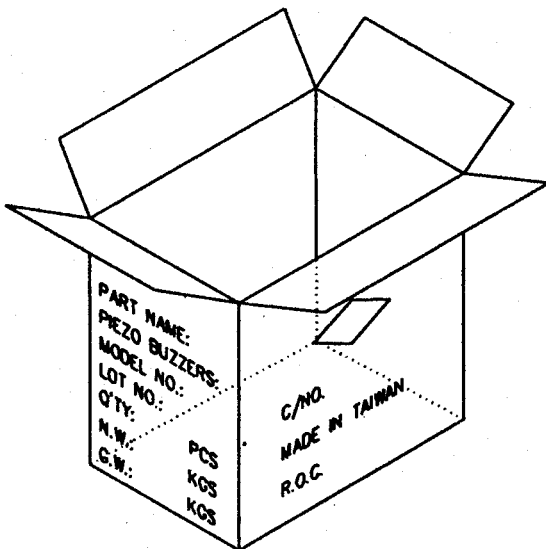
OBO PRO.2 INC.

MODEL NO.	
LOT NO.	
QUANTITY	
DATE	

50pcs / Label  
(80\*50\*0.08mm)



50pcs/ PE Bag  
(220\*155\*0.05mm)



80\*PE Bag(4,000pcs)/ Carton  
0.96 (352\*233\*336mm)