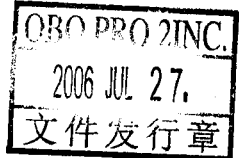


OBO Pro.2**SPECIFICATIONS****MODEL NO.**
OBO-23032F-01**PART NAME**
DYNAMIC SPEAKER**SHEET**
2 OF 7**MODEL NO : OBO-23032F-01**

Features:Conformity RoHS Directive(2002/95/EC) Requests. ※1

1. General Specifications

Items	Spec.
Magnet	Materials NdFeB Size: $\phi 8.0 \times 1.5$ mm.
Weight	Approx 3.5Grams
Nominal Impedance	32 Ohm \pm 15% At 1600 Hz/1.0V .
Power Rating	Normal 0.2W. Maximum 0.5W.
Lowest Resonant Frequency	850 \pm 150 Hz.
Output Sound Pressure Level (S.P.L)	82 \pm 3dB /0.2Watt. 0.5Meter.
	Average at 1000,1200,1500,2000Hz
Frequency Range	450 ~6500Hz. Average SPL-10 dB.
Distortion	5% Maximum At 1200Hz. 0.2W.
Abnormal Sound Test	Must be Normal Tested by 2.53Volts. Sine Wave.
Polarity	Diaphragm shall move Forward when Apply a Positive DC
	Current to the "+" or "Marked" Terminal.
Operating Temperature	-25°C to +50°C
Storage Temperature	-25°C to +55°C

2. Environmental Test

Humidity Test	High Temperature	:	+40°C \pm 3°C
	Relative Humidity	:	90% ~ 95%
	Duration	:	96 Hours
	Duration of recovery	:	6 Hours
Temperature Cycle Test	Temperature	:	+55°C \rightarrow +25°C \rightarrow -25°C \rightarrow +25°C
	Duration	:	1Hour 1Hour 1Hour 1Hour
	Cycle	:	3 Cycles
Vibration Test	Vibration Direction	:	3 axes
	Mounting	:	Unit Shall Be Rigidly Restrained On The Table
	Frequency	:	1,000 Cycle/Minute
	Amplitude	:	1.5m/m
	Endurance	:	1 Hour in Each Plane
	Duration of Transfer Time	:	Less Than 5Minutes
Load Test	White Noise With Weighted Filter 2.53Volts.(RMS) 100 Hrs: 20~20,000Hz Resonant Frequency.		
Drop Test	70cm Free Falling On Concrete Floor, with 10 times.		

OBO Pro.2®

SPECIFICATIONS

MODEL NO.
OBO-23032F-01

PART NAME
DYNAMIC SPEAKER

SHEET
3 OF 7

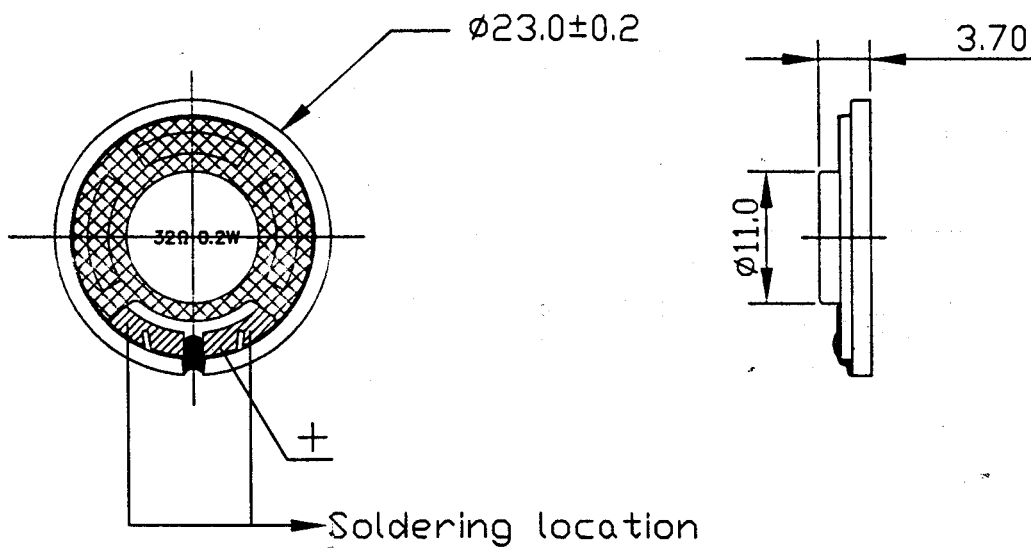
3. Mechanical Layout And Dimensions

OBO PRO 2 INC.
2006 JUL. 27.
文件发行章

3.1 Dimensions

Unit:mm

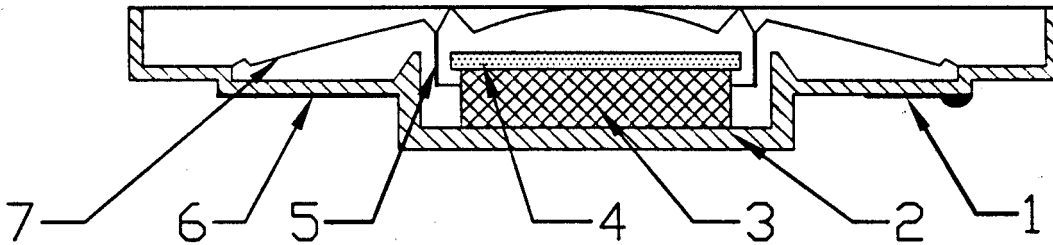
Tolerance:±0.3



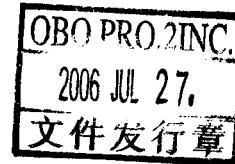
※1 PCB Soldering Temperature 380° Max For 3 Seconds.

OBO Pro.2[®]**SPECIFICATIONS****MODEL NO.**
OBO-23032F-01**PART NAME**
DYNAMIC SPEAKER**SHEET**
4 OF 7OBO PRO 2 INC.
2006 JUL 27.
文件发行章

3.2 Construction Diagram

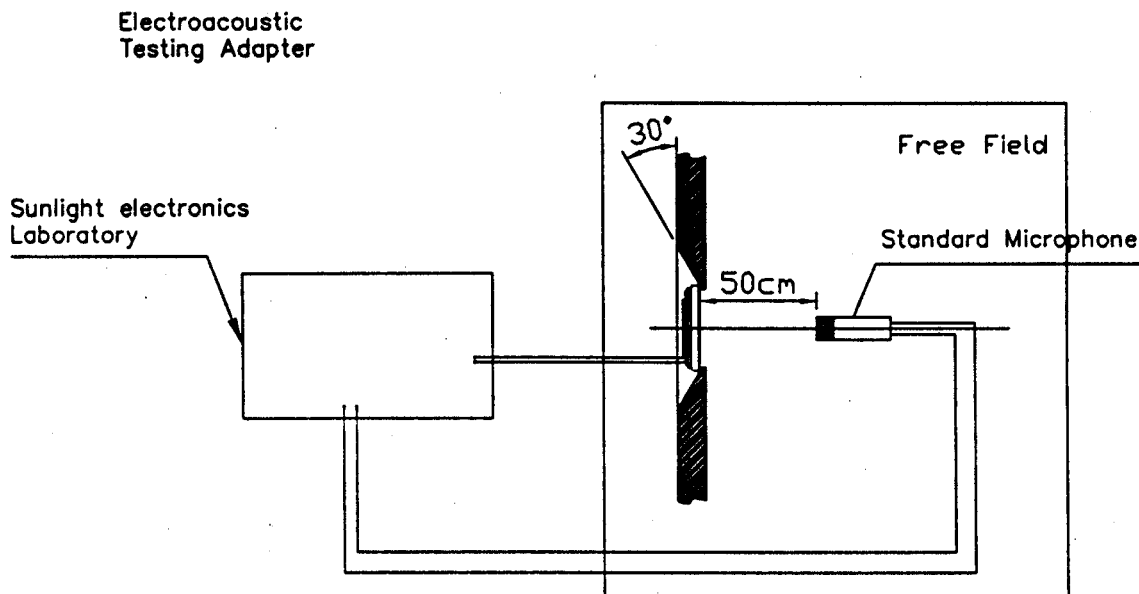


7	DIAPHRAGM	MYLAR	1
6	CLOTH	CLOTH	1
5	VOICE COIL	DIA 8.80mm	1
4	WASHER	SPCC	1
3	MAGNET	NdFeB	1
2	YOKE	SPCC	1
1	TERMINAL	P.C.B	1
NO	PART NAME	MATERIAL	Q'TY

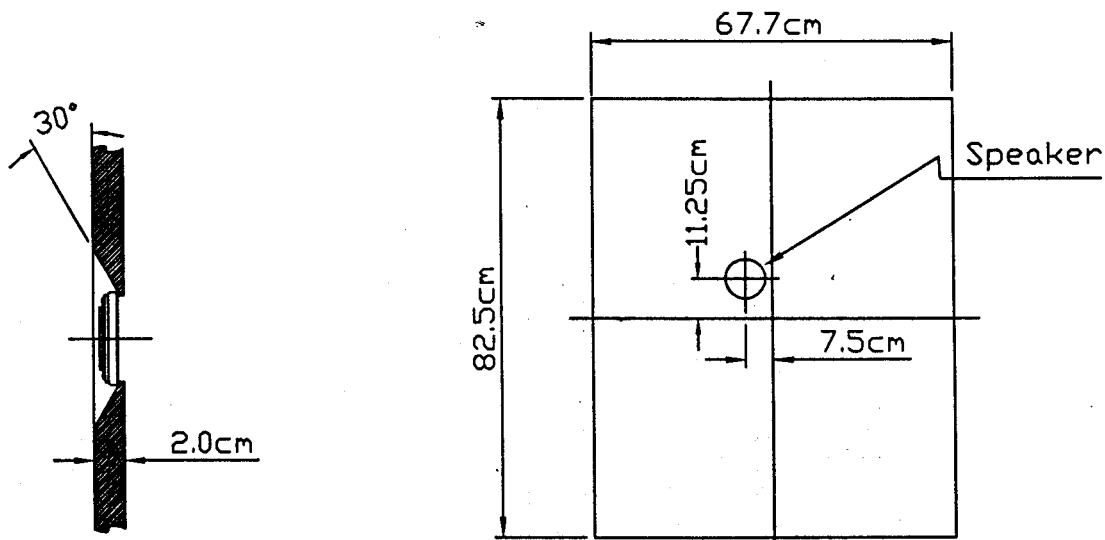


4. Test Method

4.1 Measurement Diagram



4.2 Standard Baffle



OBO Pro.2

SPECIFICATIONS

MODEL NO.
OBO-23032F-01

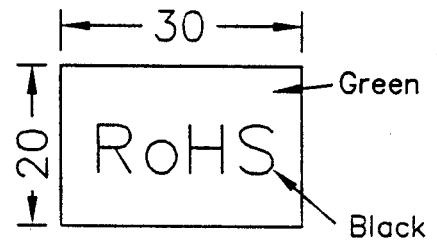
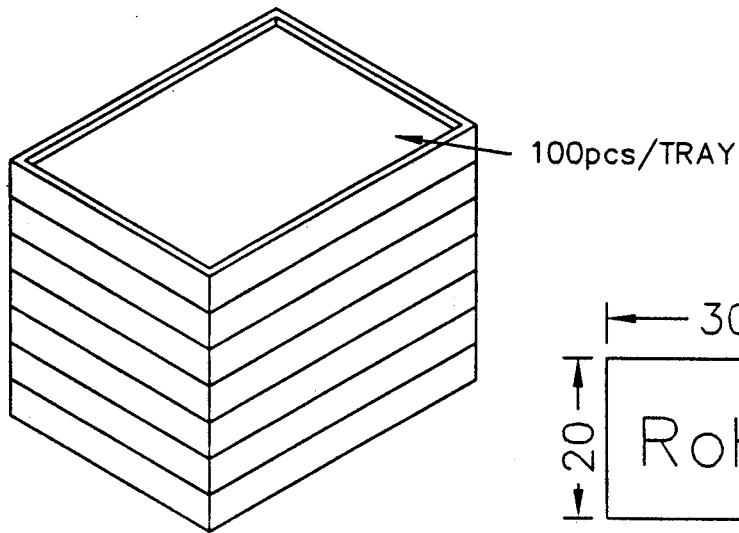
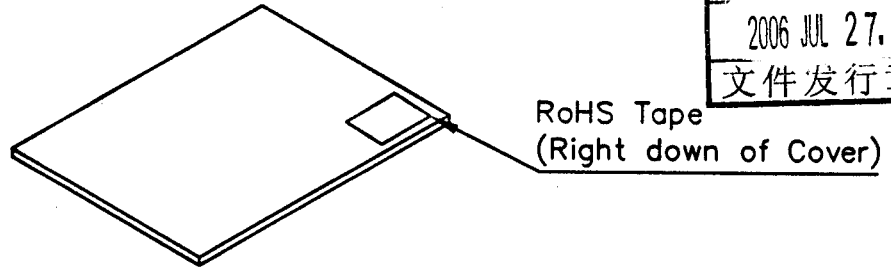
PART NAME
DYNAMIC SPEAKER

SHEET
6 OF 7

※1 5. Package

Unit:mm

OBO PRO 2 INC.
2006 JUL 27.
文件发行章



RoHS Tape
(30*20mm)

