

OBO Pro.2®	SPECIFICATIONS	MODEL NO. OBO-23220PA
	PART NAME Piezoelectric Buzzer	SHEET 1 OF 5

ALTERNATION HISTORY

Marking	Date	EC NO.	REV.	Description	Page	PREPARE BY	APPROVE BY
.		
.		
.		
※1	JAN,31'05	0407006	F	Change Case Material	5	<input type="checkbox"/>	DARREN

REV.	DATE	PREPARED BY	CHECKED BY	APPROVED BY
F	JAN,31,2005	簡沛羚	DARREN	<input type="checkbox"/> 陳建合 1/31/05

OBO Pro.2®	SPECIFICATIONS	MODEL NO. OBO-23220PA
	PART NAME Piezoelectric Buzzer	SHEET 2 OF 5

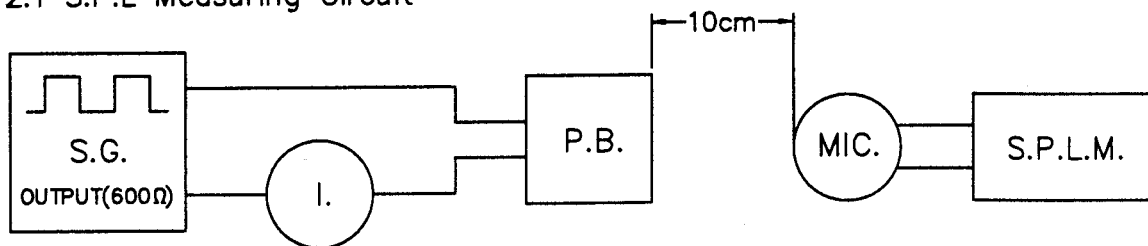
MODEL NO : OBO-23220PA

1. General Specifications :

Items	Spec.
Sound Pressure Level	80dB min. at 2.0KHz/9Vp-p Square Wave/10cm
	70dB min. at 2.0KHz/1.0Vrms Sine Wave/10cm
Capacitance	25,000pF ± 30% at 120Hz
Current Consumption	3mA max. at 2.0KHz/9Vp-p Square Wave
Allowable Input Voltage	30Vp-p max.
Case Material ※1	PBT
Lead Pin Material	Phosphor Bronze
Operating Temp. Range	-20°C to +70°C
Storage Temp. Range	-40°C to +85°C
Weight	2.2gms

2. Measuring Method

2.1 S.P.L Measuring Circuit



- S.G. :GAG-808G Audio Ggenerator or Equivalent
- S.P.L.M. :Sound Pressure Level Meter IEC651 TYPE2
- I. :GDM-8145 Multimeter or Equivalent
- P.B. :Piezoelectric Buzzer

Note: please pay attention never to be applied DC voltage to piezo sounder.

2.2 Measuring condition

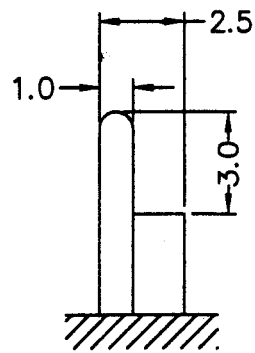
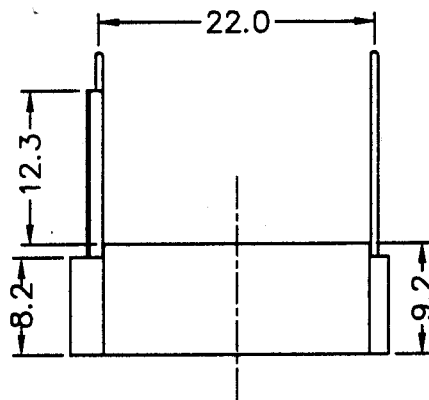
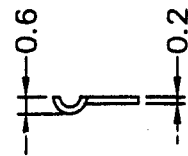
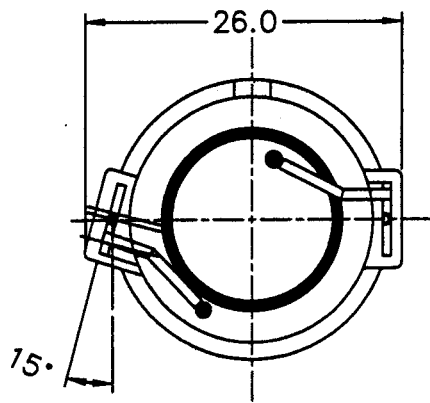
Part shall be measured under a condition(Temperature: +5 to +35°C, Humidity: 45% to 85%R.H.) unless the standard condition (Temperature: +25±3°C, Humidity: 60±10%R.H.) is regulated to measure.

OBO Pro.2®	SPECIFICATIONS	MODEL NO. OBO-23220PA
	PART NAME Piezoelectric Buzzer	SHEET 3 OF 5

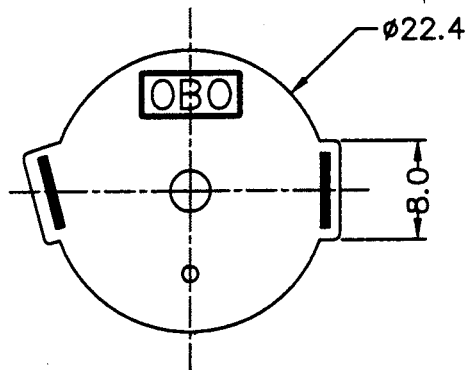
3. Mechanical Layout and Dimensions

3.1 Dimensions

Tolerance: $\pm 0.5\text{mm}$ Unit: mm

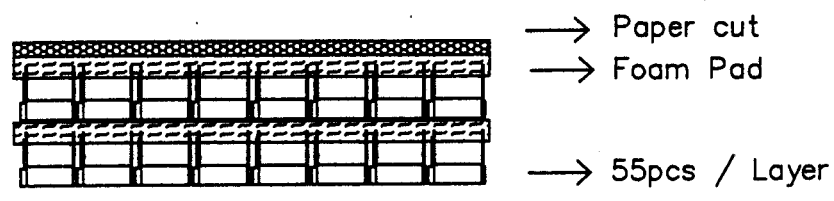


Pin Terminal

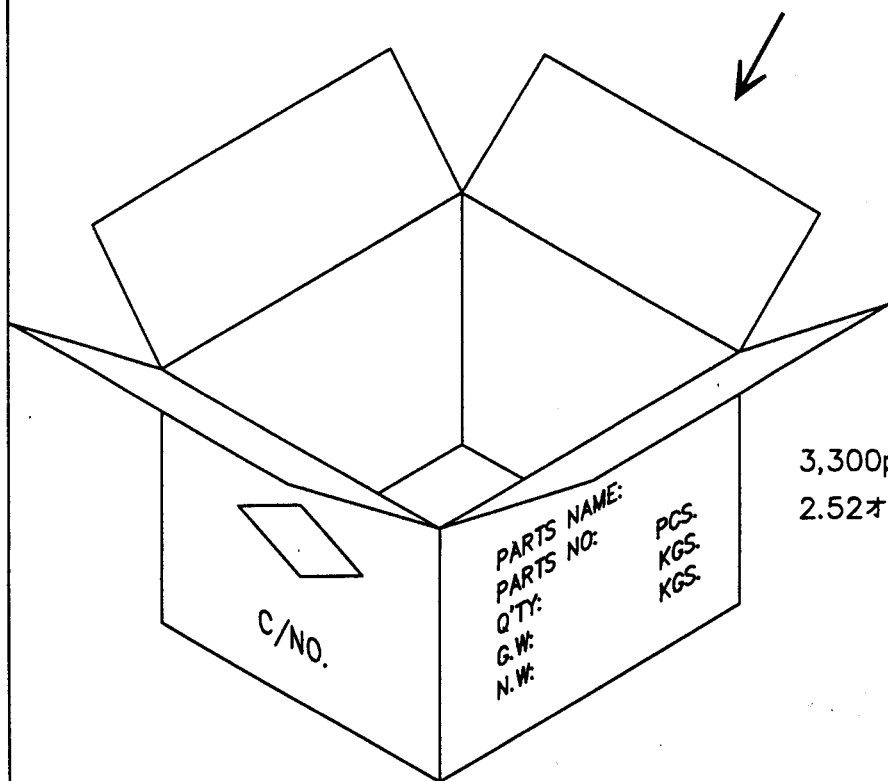
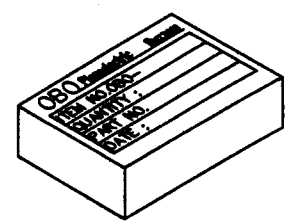


OBO Pro.2®	SPECIFICATIONS	MODEL NO. OBO-23220PA
	PART NAME Piezoelectric Buzzer	SHEET 4 OF 5

4.Packing

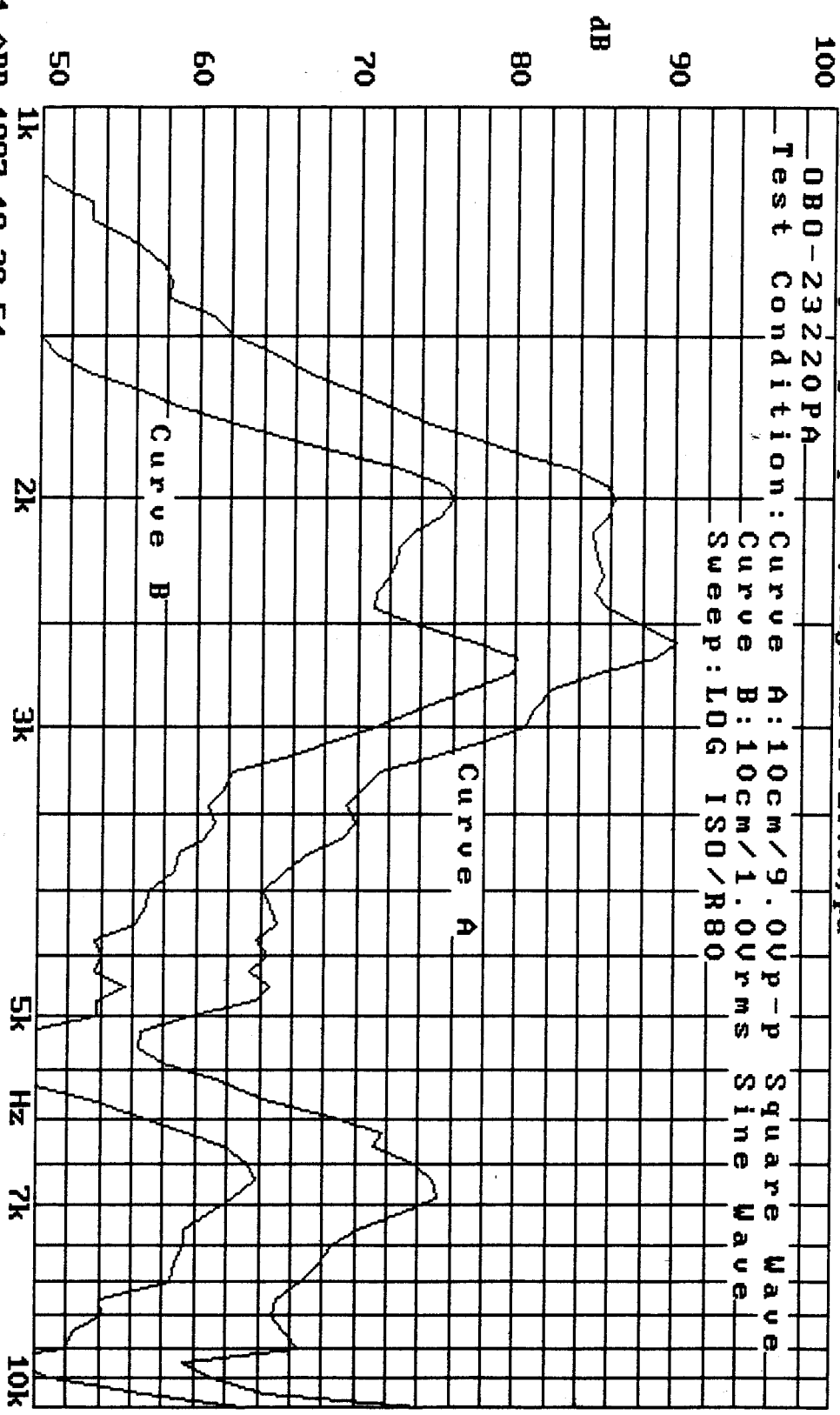


110pcs(2 Layer)/Inside Box
218*152*61m/m



3,300pcs(30 Box)/Carton
2.52才 (488*452*352m/m)

Fig. 2: Frequency Response, Magn dB re 20.00µpa



21-APR-1997 18:28:54

Mode: SSR

