

OBO Pro.2	SPECIFICATIONS	MODEL NO. OBO-27336
	PART NAME Piezoelectric Buzzer	SHEET 1 OF 5

ALTERNATION HISTORY

Marking	Date	ECN NO.	REV.	Description	Page	PREPARE BY	APPROVE BY
※1	MAY,25'06	0605008	G	Conformity RoHS Directive (2002/95/EC) Requests.	5	馮仁如	

REV.	DATE	PREPARED BY	CHECKED BY	APPROVED BY
G	MAY,25,2006	LULU		

OBO Pro.2	SPECIFICATIONS	MODEL NO. OBO-27336
	PART NAME Piezoelectric Buzzer	SHEET 2 OF 5

MODEL NO : OBO-27336

Features : Self Drive & Lead Pin Type.

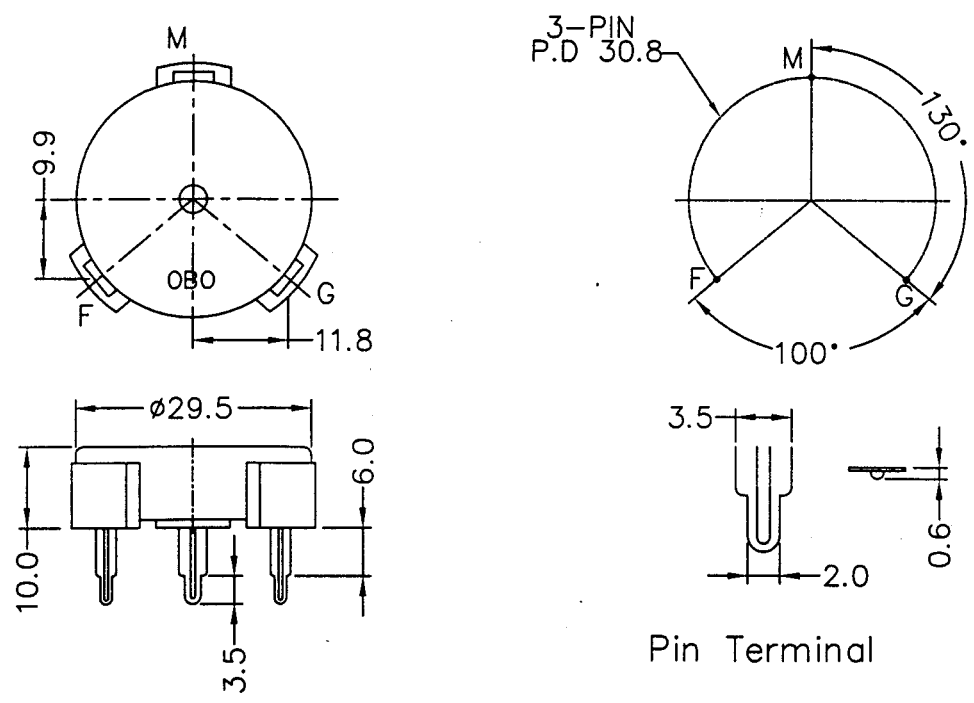
Conformity RoHS Directive (2002/95/EC) Requests. ※1

1、General Specifications :

	Items	Specification
1.1	Sound Pressure Level	85dB min./30cm/DC9V
1.2	Oscillating Frequency	3.5 ± 0.5KHz
1.3	Current Consumption	9mA max./DC9V
1.4	Operating Voltage	DC 3 to 27V
1.5	Case Material	PC (UL 94V-2)
1.6	Lead Pin Material	Phosphor Bronze
1.7	Operating Temp. Range	-20°C to +70°C
1.8	Storage Temp. Range	-40°C to +85°C
1.9	Weight	4.4 gms

2. Mechanical Layout & Dimensions

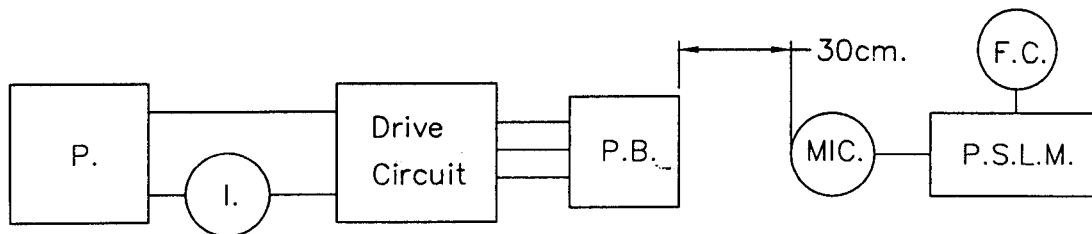
Unit : mm Tolerance : ±0.5 mm



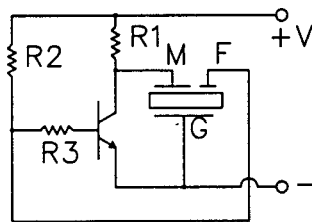
OBO Pro.2	SPECIFICATIONS	MODEL NO. OBO-27336
	PART NAME Piezoelectric Buzzer	SHEET 3 OF 5

3 Test Method :

3.1 Standard Test Diagram



- P. : DC Power Supply GPC-3030D or Equivalent
- MIC. : B&K-4176 Micphone or Equivalent
- P.S.L.M. : B&K-2232 Precision Sound Level Meter or Equivalent
- I. : GDM-8145 Multimeter or Equivalent
- F.C. : GFG-8016G or Equivalent
- P.B. : Piezoelectric Buzzer



- R1: 561
- R2: 104
- R3: 562
- Tr: 2SC2458Y

3.2 Standard Test Condition

Part shall be measured under a condition(Temperature: +5 to +35°C, Humidity: 45% to 85%R.H.) unless the standard condition (Temperature: +25±3°C, Humidity: 60±10%R.H.) is regulated to measure.

OBO Pro.2	SPECIFICATIONS	MODEL NO. OBO-27336
	PART NAME Piezoelectric Buzzer	SHEET 4 OF 5

4 · Soldering Condition : ※1

4.1 Wave Soldering

Peak temperature	Dipping time	Soldering
+ 260°C	5 seconds	1 time

4.2 Hand Soldering

Iron Tip Temperature	Soldering time
+ 380°C Max.	Duration 3 seconds Max.

5 · Environment-related substances to be controlled. ※1

◎ Piezoelectric Ceramic Disc.

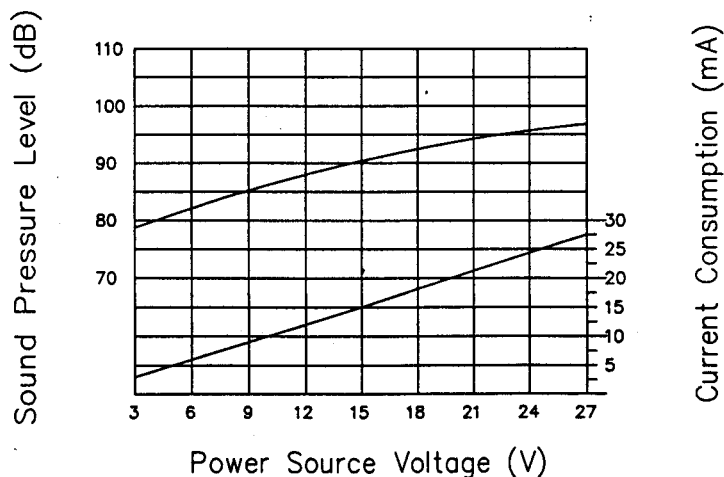
RoHs Annex :

Application of lead, mercury, cadmium and hexavalent chromium, which are exempted from the requirement of article 4(1).

* Lead in electronic ceramic parts.(e.g. piezoelectronic devices).

6 · Voltage/Sound Pressure/Current Consumption

Measurement distance : 30cm. / Current consumption by GDM-8145
Sound level meter by B&K-2232 / DC power supply by GPC-3030D



OBO Pro.2	SPECIFICATIONS	MODEL NO. OBO-27336
	PART NAME Piezoelectric Buzzer	SHEET 5 OF 5

7、Packing Information :

