

OBO.Pro.2.**SPECIFICATIONS****MODEL NO.**
OBO-27346**PART NAME**
Piezoelectric Buzzer**SHEET**
2 OF 4

Model No. : OBO-27346

OBO PRO.2 INC.

06 DEC 2004

Features : Self drive & Pb-free Soldering Type

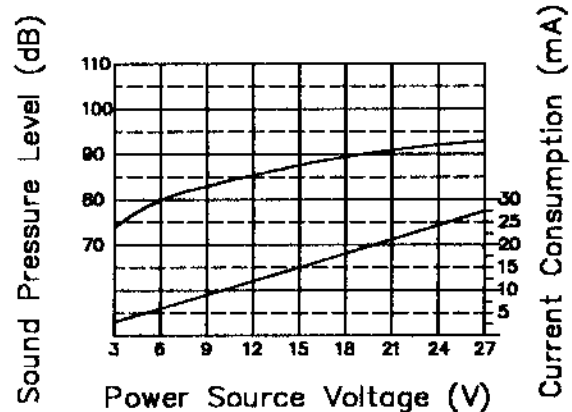
文件发行单

1. General Requirements

Items	Spec.
Sound Pressure Level	83dB Min. /DC9V/30cm.
Oscillating Frequency	4.4 ± 0.5KHz
Current Consumption	9mA Max. /DC9V
Operating Voltage	DC3V to 27V
Case Material	ABS(UL 94HB)
Operating Temp. Range	-20°C to +60°C
Storage Temp. Range	-30°C to +70°C
Weight	4.2 gms

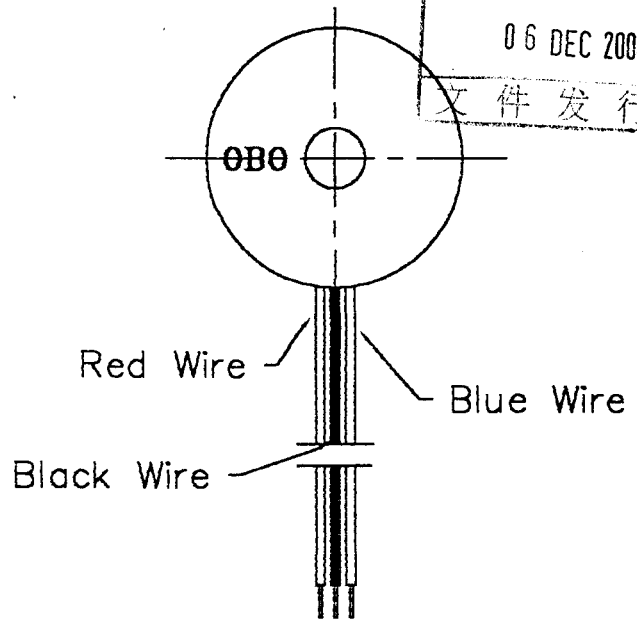
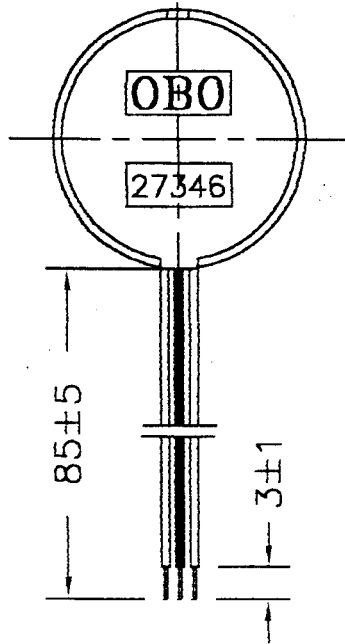
2. Voltage/Sound Pressure
/Current Consumption

Measurement Distance : 30cm
 Sound Level Meter By B&K-2232
 Current Consumption By GDM-8145
 DC Power Supply By GPC-3030D
 Measurement By Recommended Circuit

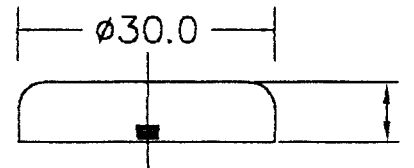


3. Appearance and Dimensions

Unit : mm Tolerance : ± 0.5



Customer	Lead Wire
Standard	UL1571#32



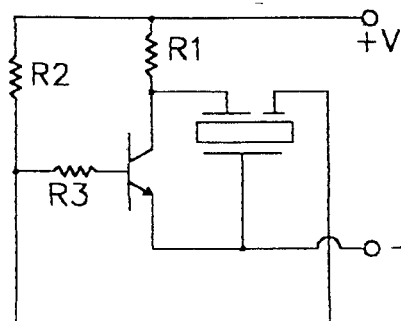
4. Soldering condition

Hand soldering / touchup

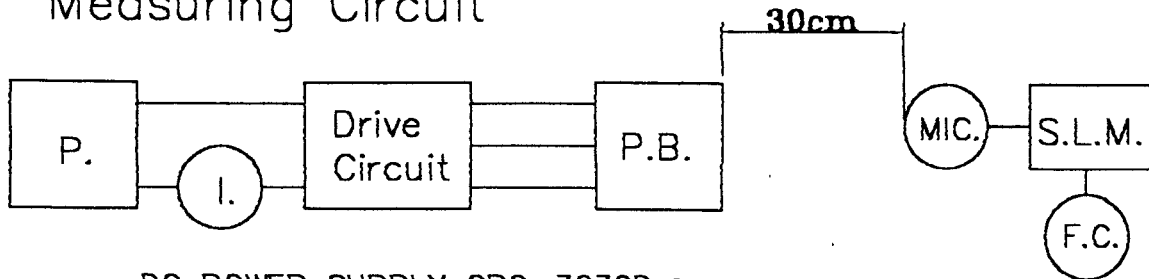
soldering iron tip temperature 380°C for 3 seconds.

5. Recommended circuit

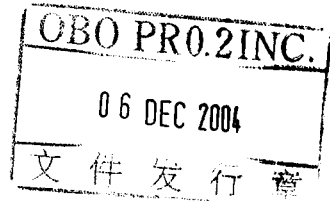
R1: 561
R2: 154
R3: 562
Tr: 2SC2458Y



6. Measuring Circuit



- P. : DC POWER SUPPLY GPC-3030D OR EQUIVALENT
- MIC. : B&K4176 OR EQUIVALENT
- S.L.M. : B&K-2232 OR EQUIVALENT
- I. : GDM-8145 MULTIMETER OR EQUIVALENT
- F.C. : KNWOOD FG-273 OR EQUIVALENT



Note :

Please pay attention never to be applied DC voltage to piezo sounder.

7. Package



Buzzer

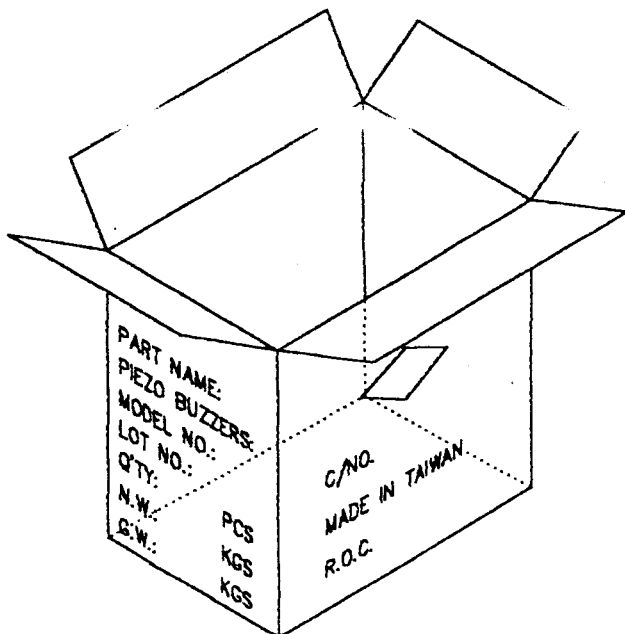
OBO PRO.2 INC.

MODEL NO.	
LOT NO.	
QUANTITY	
DATE	

50pcs / Label
(80*50*0.08mm)



50pcs/ PE Bag
(220*155*0.05mm)



40*PE Bag(2,000pcs)/ Carton
0.96*(352*233*336mm)

PART NAME:
PIEZO BUZZERS
MODEL NO.:
LOT NO.:
QTY:
N.W.:
G.W.:
PCS
KGS
KGS
C/NO.
MADE IN TAIWAN
R.O.C.