

OBO PRO.2 INC. 啓弘股份有限公司

No. 18, Yanwu Rd., Taoyuan City, Taiwan 330, R.O.C.
TEL: 886-3-346-8636 FAX: 886-3-346-8645~6
E-MAIL: sales@obopro2.com Website: www.obopor2.com

Specification for Approval

NO.:

Part Name : Dynamic Speaker
Model No. : OBO-28008G-02
Date : OCT.08,2003

Page	Cover Page	1	2	3	4	5	6	7	8	9	10	11	12	
Version	D	D	D	D	D	D								

CHANGES

No.	Date	ECN. No.	Version	Description	Sign
2	OCT.08'03	0309009	D	1.Change Impedance:Load Test 24Hrs → 100Hrs, Dimensions and Tolerance. 2.Distortion:5% Max at 600 Hz → 5% Max at 1000Hz 3.Increase By Environmental Test,Test Method and Package.	Andrea

Please kindly make approval of our samples, And return this form by fax or airmail, Thanks for your kind attention and co-operation.

(請對我們公司樣品給予承認,承認後加蓋承認章以傳真或郵寄方式回覆,謝謝貴公司的支持與合作)

Customer Name : _____

Customer Part No. : _____

Designed By	Checked By	Approval By

Model No: OBO-28008G-02

1. General Specifications

Items	Spec
Weight	Approx 2.9 Grams.
Magnet	Materials NdFeB Size: $\varnothing 9.5 \times 1.5$ mm.
Nominal Impedance	8 Ohm \pm 15% At 800 Hz/1.0V
Power Rating	Normal 500mW. Maximum 800mW.
Lowest Resonant Frequency	600 \pm 150 Hz.
Output Sound Pressure Level (S.P.L)	80 \pm 3dB /500mW 0.5Meter Average at 800,1000,1200,1500Hz Measuring device: see Item 4.(Secundum IEC-268-5 Statute)
Frequency Range	340 ~ 10,000 Hz. Average SPL-10 dB.
Distortion	5% Maximum At 1000 Hz. 500mW.
Abnormal Sound Test	Must be Normal Tested by 2.0 Volts. Sine Wave.
Polarity	Diaphragm shall move Forward when Apply a Positive DC Current to the "+" or "Marked" Terminal.
Operating Temperature	-25°C ~ +50°C
Storage Temperature	-25°C ~ +55°C

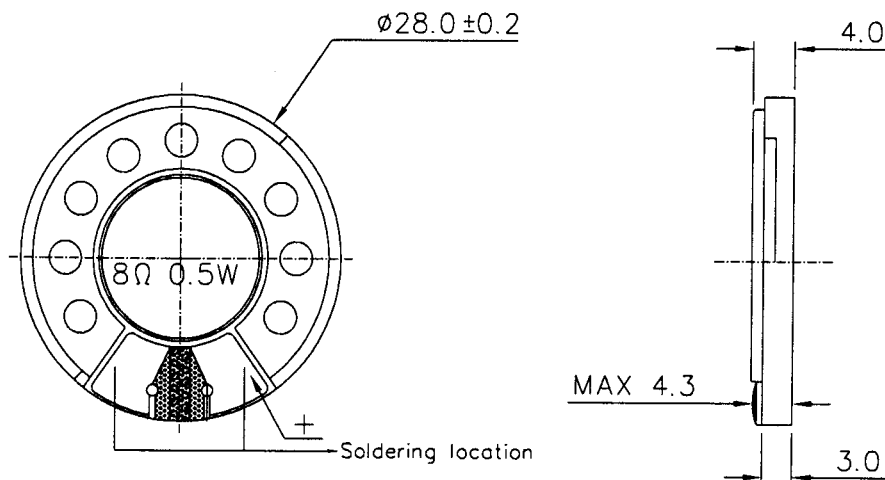
2. Environmental Test

Humidity Test	High Temperature	:	+40°C \pm 3°C
	Relative Humidity	:	90% ~ 95%
	Duration	:	96 Hours
	Duration of recovery	:	6 Hours
Temperature Cycle Test	Temperature	:	+55°C \rightarrow +25°C \rightarrow -25°C \rightarrow +25°C
	Duration	:	1Hour 1Hour 1Hour 1Hour
	Cycle	:	3 Cycles
Vibration Test	Duration	:	3 axes
	Mounting	:	Unit Shall Be Rigidly Restrained On The Table
	Frequency	:	1000 Cycle/Minute
	Amplitude	:	1.5m/m
	Endurance	:	1 Hour in Each Plane
	Duration of Transfer Time	:	Less Than 5Minutes
Load Test	White Noise With Weighted Filter 2.0 Volts.(RSM) 100Hrs. 20~20,000Hz Resonant Frequency.		
Drop Test	75cm Free Falling On Concrete Floor, with 10 times.		

Drawing by	Checked by	Approved by	Page No.	Model No.	Version	Date
簡秀燕 Andrea 10.08'03		啓弘 92.10.8 吳永文	1	28008G-02	D	OCT.08,2003

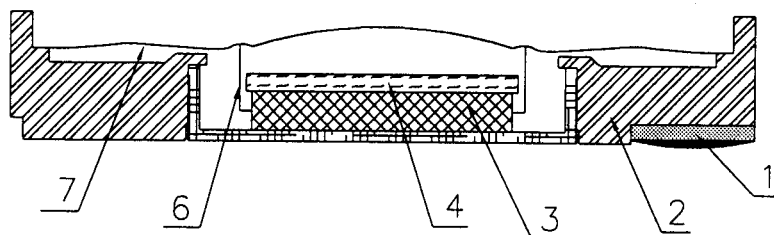
3. Mechanical Layout And Dimensions

3.1 Dimensions



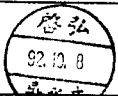


Unit: mm Tolerance: ± 0.3

3.2 Construction Diagram

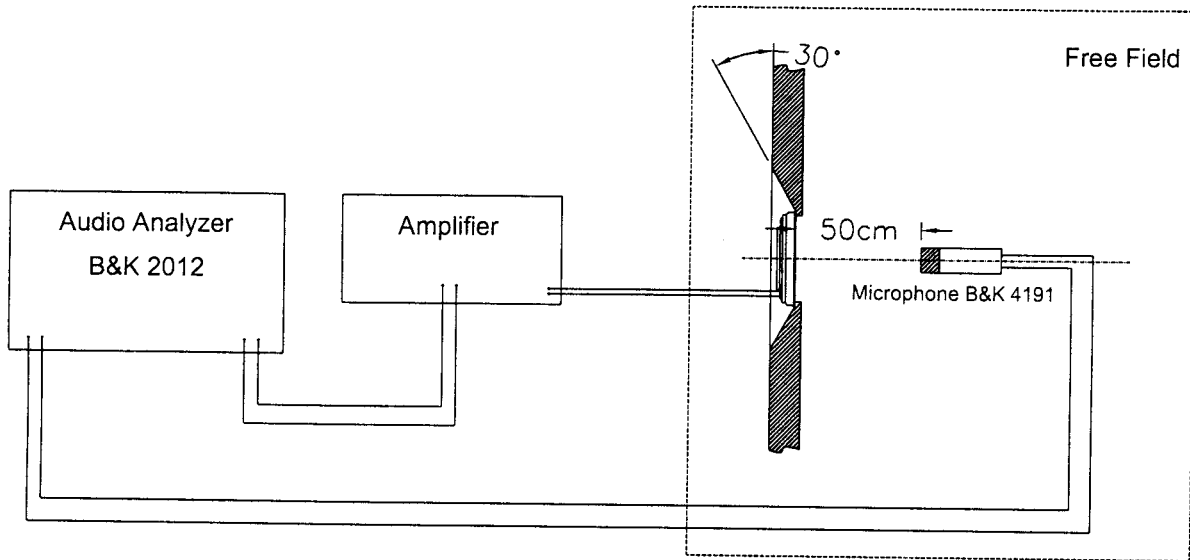


7	DIAPHRAGM	MYLAR	1
6	YOKE	SPCC	1
5	VOICE COIL	DIA 12.1mm	1
4	WASHER	SPCC	1
3	MAGNET	Nd-Fe-B	1
2	PLASTICS CASE	ABS	1
1	TERMINAL	P.C.B	1
NO	PART NAME	MATERIAL	Q'TY

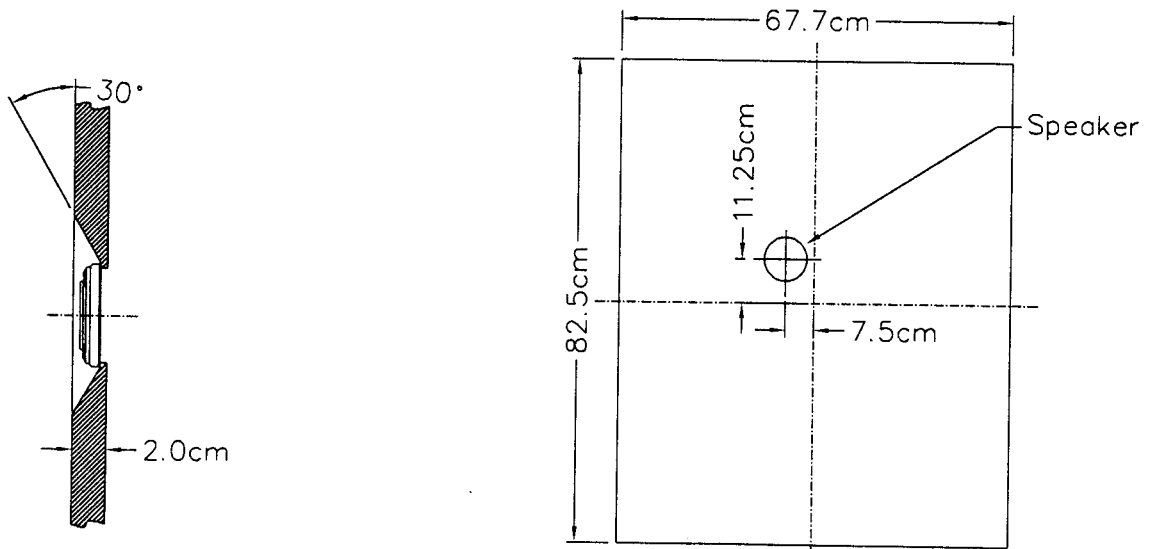
Drawing by	Checked by	Approved by	Page No.	Model No.	Version	Date
 Andrea 10.08'03		 92.10.8 吳永文	2	28008G-02	D	OCT.08,2003

4. Test Method

4.1 Measurement Diagram

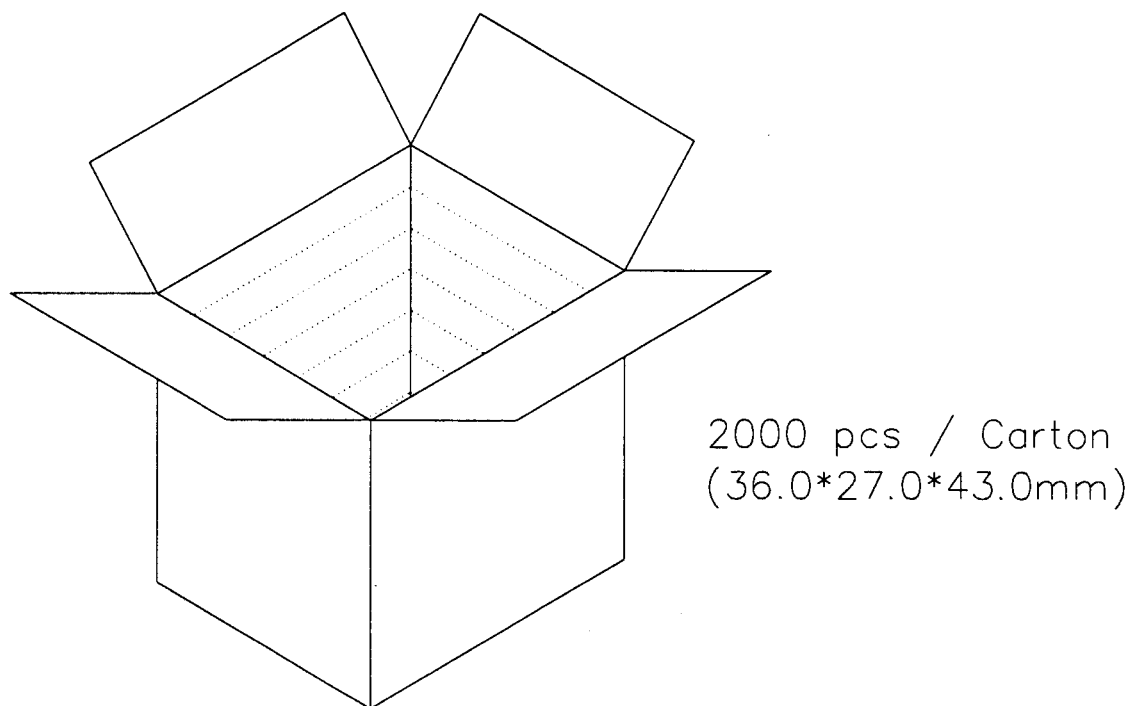
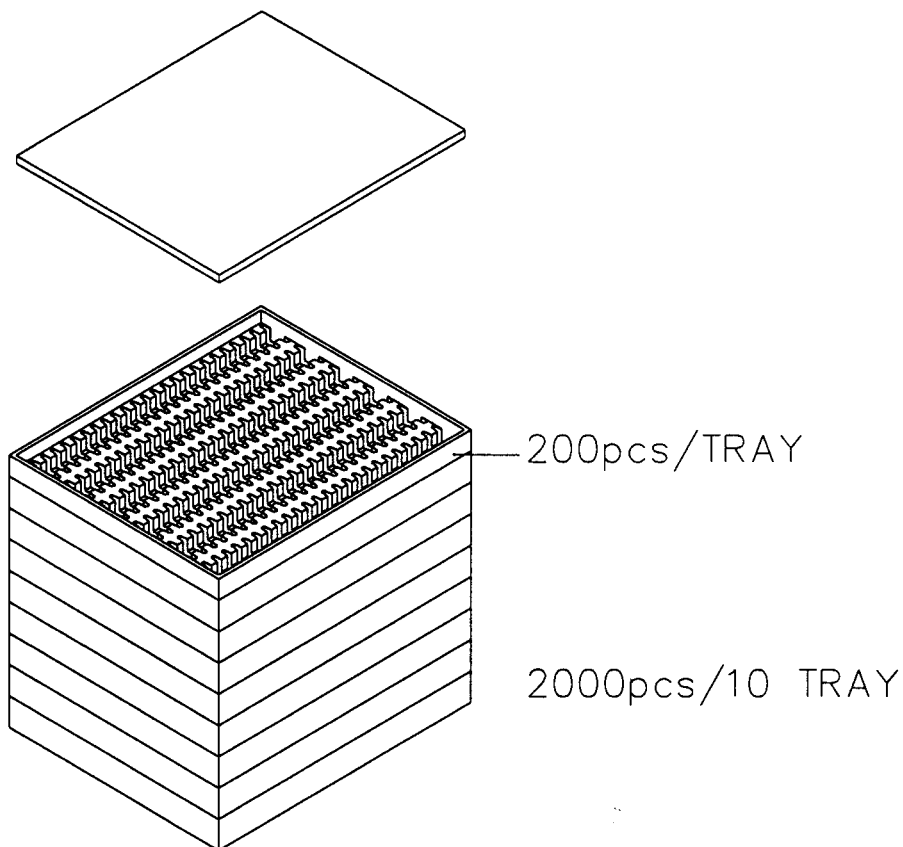


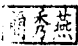
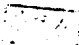
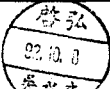
4.2 Standard Baffle



Drawing by	Checked by	Approved by	Page No.	Model No.	Version	Date
Andrea 10.08'03		92.10.9 吳水文	3	28008G-02	D	OCT.08,2003

5. Package



Drawing by	Checked by	Approved by	Page No.	Model No.	Version	Date
 Andrea 10.08'03			4	28008G-02	D	OCT.08,2003

