

OBO PRO.2 INC.

頁次: 1/4

啓弘股份有限公司

文件發行章

No. 224-9, LANE 105, YUNG-FENG ROAD, PA-TE CITY, TAOYUAN, TAIWAN, R.O.C.

TEL:886-3-361-4436

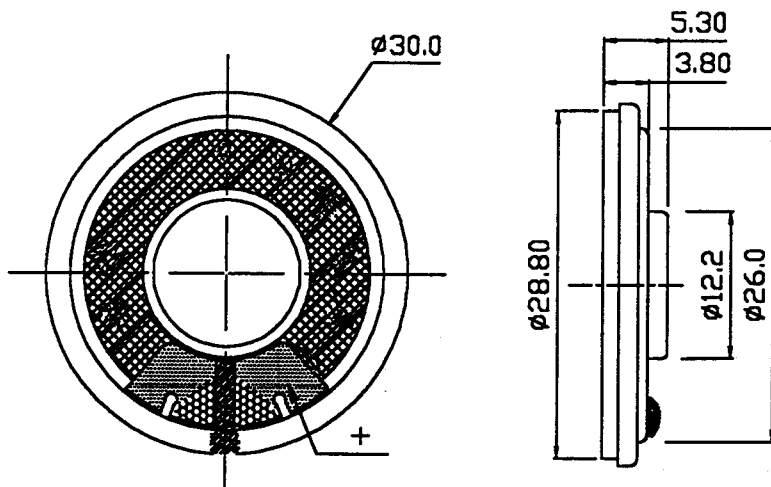
FAX:886-3-361-4437

E-MALL:obo@obo.com.tw

Website:www.obo.com.tw

S P E C I F I C A T I O N

1	Model	OBO-30150F-01
2	Dimension	Outer Diameter 30 mm. Baffle Opening 26.5 mm.
		Height Refer To Drawing. Weight 5.8 Grams.
3	Magnet	Materials Rare Earth Size: $\phi 9.5 \times 1.5$ mm
4	Nominal Impedance	150 Ohm $\pm 15\%$ At 1000Hz
5	Power Rating	Normal 500mW. Maximum 1000 mW.
6	Lowest Resonant Frequency	400 \pm 150 Hz.
7	Output Sound Pressure Lever (S.P.L)	78 \pm 3db / 0.5Watt. 0.5Meter.
		Average at 1000, 1200, 1500, 2000 Hz.
8	Frequency Range	300~ 20,000Hz. Average SPL-10 db.
9	Distortion	5% Maximum At 700Hz. 500mW.
10	Abnormal Sound Test	Must be Normal Tested by 8.66 Volts. Sine Wave.
11	Load Test	White Noise with Weighted Filter 8.66 Volts.(RMS) 24 Hrs.
12	Polarity	Diaphragm shall move Forward when Apply a Positive DC
		Current to the "+" or "Marked" Terminal.

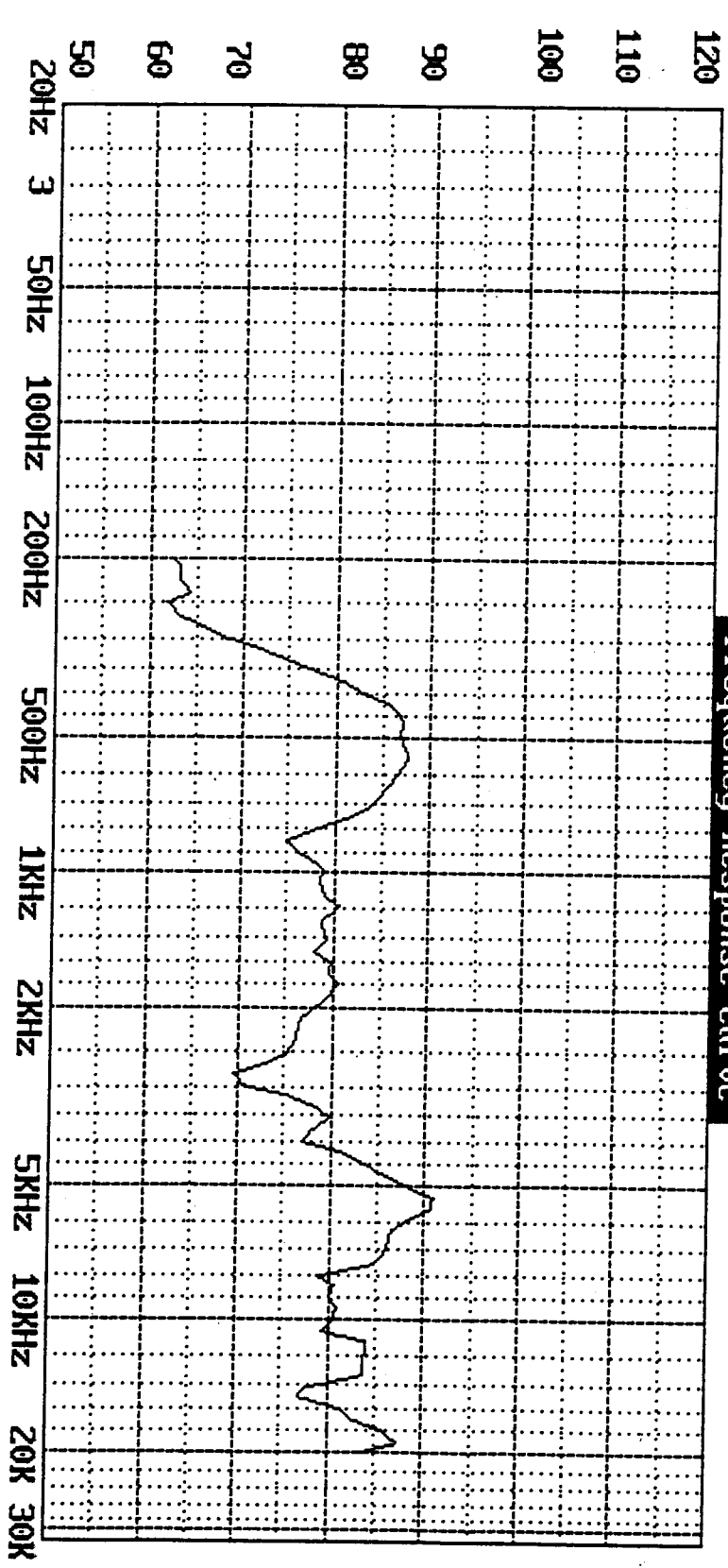


Unit:mm Tolerance: ± 0.2 Housing Material:METAL

Drawing by	Checked by	Approved by	Date	DWG. NO.
DEXING	<i>[Signature]</i>	<i>[Signature]</i>	MAR.23,2000	SMS134-A

文件發行章

Firm: OBO Model: OBO-30150F-01 DATE: 03-22-2000 TIME: 22:10:20
1000Hz Sens. = 70.7dB SPL Pass DCR: 148.3R Pass Sweep Speed: 1/12 Oct.
Average SPL: 81.0dB SPL Pass (From 400Hz to 6300Hz)
Frequency Response: Pass
dB SPL



Voltage applied for **F.R.** = 8.660V **Start F.** = 200Hz **Stop F.** = 20000Hz

Measured using Sunlight 1600; Fax: 886-2-2230727