

OBO Pro.2®	SPECIFICATIONS	MODEL NO. OBO-30325
	PART NAME Piezoelectric Buzzer	SHEET 1 OF 5

ALTERNATION HISTORY

Marking	Date	ECN NO.	REV.	Description	Page	PREPARE BY	APPROVE BY
※1	NOV,07'06	0607012	E	Conformity RoHS Directive (2002/95/EC) Requests.	5	劉大成	陳運合

REV.	DATE	PREPARED BY	CHECKED BY	APPROVED BY
E	NOV,07,2006	ANDY	馮仁如	陳運合

OBO Pro.2	SPECIFICATIONS	MODEL NO. OBO-30325
	PART NAME Piezoelectric Buzzer	SHEET 2 OF 5

MODEL NO : OBO-30325

Features : Self Drive & Lead Pin Type.

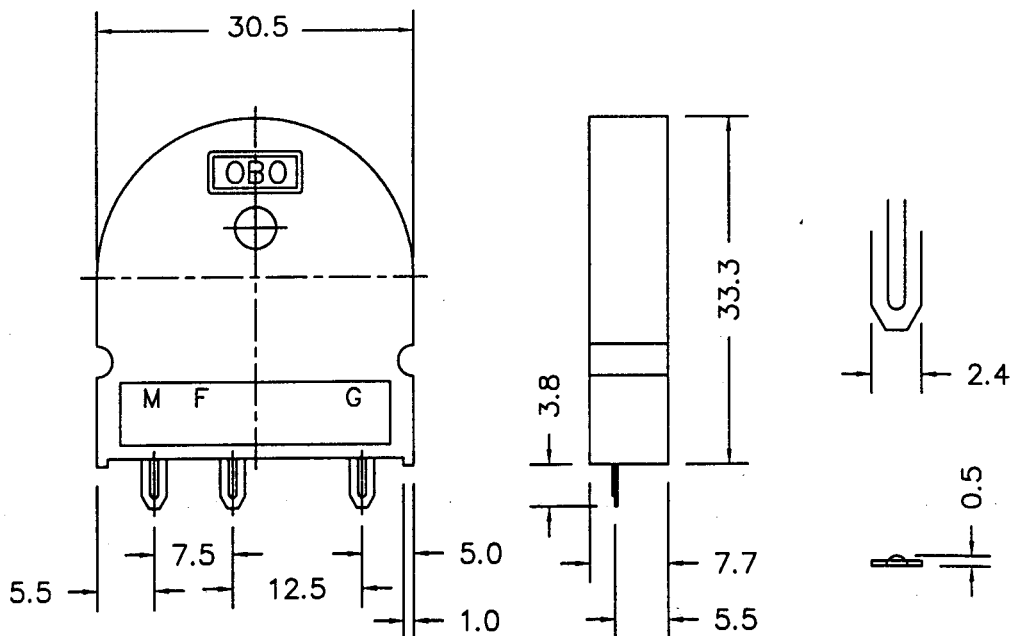
Conformity RoHS Directive (2002/95/EC) Requests. ※1

1、General Specifications :

Items	Specification
1.1 Sound Pressure Level	80dB min./30cm/DC9V
1.2 Oscillating Frequency	2.5± 0.5KHz
1.3 Current Consumption	9mA max./DC9V
1.4 Operating Voltage	DC 3 to 27V
1.5 Case Material	ABS(UL 94HB)
1.6 Lead Pin Material	Phosphor Bronze
1.7 Operating Temp. Range	-20°C to +60°C
1.8 Storage Temp. Range	-30°C to +70°C
1.9 Weight	3.8 gms

2、Mechanical Layout & Dimensions

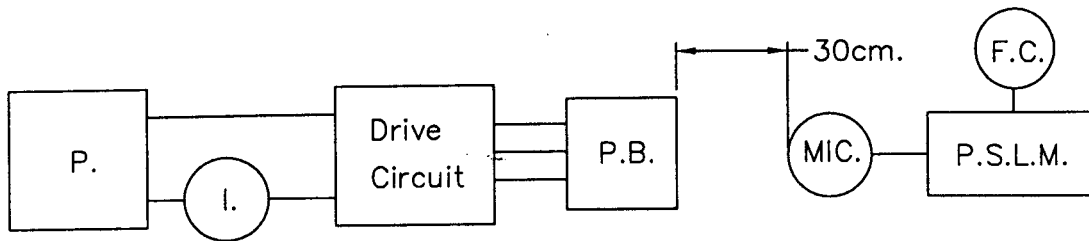
Unit : mm Tolerance : ±0.5 mm



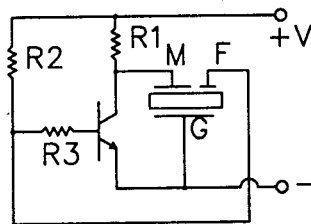
OBO Pro.2	SPECIFICATIONS	MODEL NO. OBO-30325
	PART NAME Piezoelectric Buzzer	SHEET 3 OF 5

3 - Test Method :

3.1 Standard Test Diagram



- P. : DC Power Supply GPC-3030D or Equivalent
- MIC. : B&K-4176 Micphone or Equivalent
- P.S.L.M. : B&K-2232 Precision Sound Level Meter or Equivalent
- I. : GDM-8145 Multimeter or Equivalent
- F.C. : GFG-8016G or Equivalent
- P.B. : Piezoelectric Buzzer



- R1: 561
- R2: 104
- R3: 562
- Tr: 2SC2458Y

3.2 Standard Test Condition

Part shall be measured under a condition (Temperature: +5 to +35°C, Humidity: 45% to 85%R.H.) unless the standard condition (Temperature: +25±3°C, Humidity: 60±10%R.H.) is regulated to measure.

OBO Pro.2

SPECIFICATIONS

MODEL NO.
OBO-30325

PART NAME
Piezoelectric Buzzer

SHEET
4 OF 5

4 · Soldering Condition : ※1

4.1 Wave Soldering

Peak temperature	Dipping time	Soldering
+ 260°C	5 seconds	1 time

4.2 Hand Soldering

Iron Tip Temperature	Soldering time
+ 380°C Max.	Duration 3 seconds Max.

5 · Environment-related substances to be controlled. ※1

◎ Piezoelectric Ceramic Disc.

RoHs Annex :

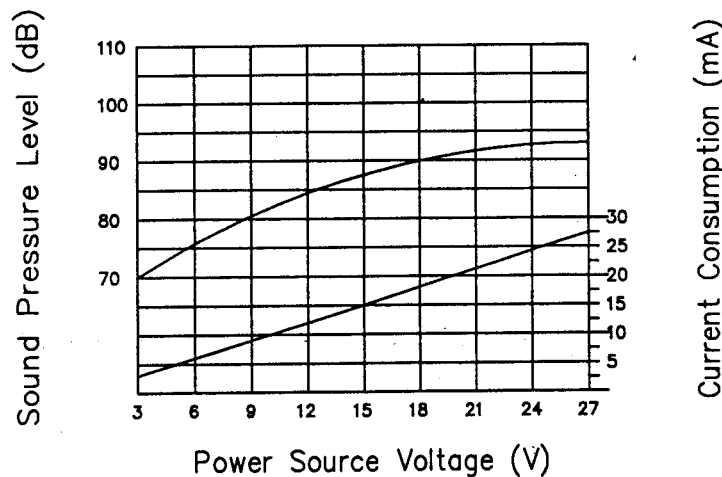
Application of lead, mercury, cadmium and hexavalent chromium, which are exempted from the requirement of article 4(1).

* Lead in electronic ceramic parts.(e.g. piezoelectronic devices).

6 · Voltage/Sound Pressure/Current Consumption

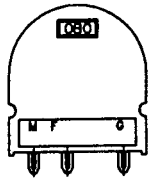
Measurement distance : 30cm. / Current consumption by GDM-8145

Sound level meter by B&K-2232 / DC power supply by GPC-3030D



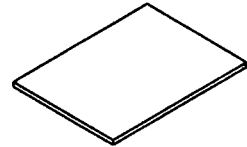
OBO Pro.2®	SPECIFICATIONS	MODEL NO. OBO-30325
	PART NAME Piezoelectric Buzzer	SHEET 5 OF 5

7 · Packing Information :

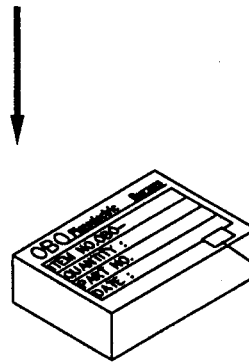
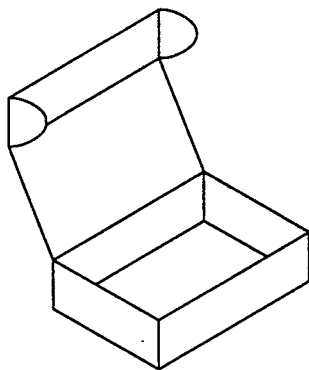
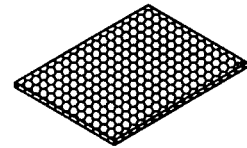


Buzzer

Paper Cut
(19.5*14.5*3.2cm)

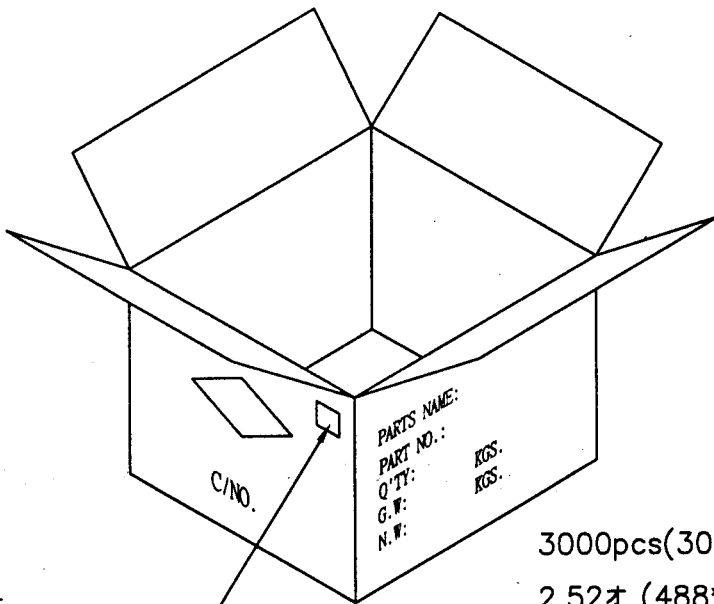


Foam Pad
(19.5*14.5*0.6cm)



RoHS Tape ※1

100pcs/ Inside box
(218*152*61 mm)



※1
RoHS Tape

3000pcs(30 Box)/Carton
2.52才 (488*452*330mm)

