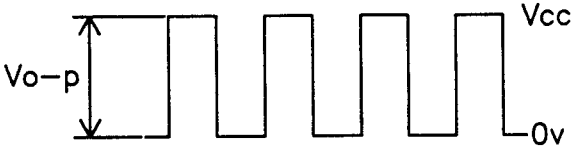


OBO Pro.2 [®]	SPECIFICATIONS	MODEL NO. OBO-30AR1
	PART NAME SMD-Electromagnetic Transducer	SHEET 2 OF 10

MODEL NO : OBO-30AR1

Features :Conformity RoHS Directive (2002/95/EC) Requests.

1. General Specifications :

	Items	Specification	Conditions
1.1	Rated Voltage	3.0 Vo-p	 <p>Squarewave 1/2 Duty</p>
1.2	Operating Voltage	2-4 Vo-p	
1.3	Resonant Frequency	2500Hz	
1.4	Sound Pressure Level	85dB min.	Standard State, Standard Drive circuit, Rated Voltage, Distance at 0.1m (A-weight) 2500Hz Squarewave 1/2 Duty.
1.5	Average Current Consumption	100mA max.	
1.6	Coil Resistance	16±3Ω	
1.7	Operating Temp. Range	-30°C ~ +70°C	
1.8	Storage Temp. Range	-40°C ~ +85°C	
1.9	Housing Material	LCP	
1.10	Weight	0.5g	
1.11	Frequency Response	As per Fig.1	

OBO Pro.2	SPECIFICATIONS	MODEL NO. OBO-30AR1
	PART NAME SMD-Electromagnetic Transducer	SHEET 3 OF 10

2. Standard test Conditions :

2.1 Standard State	Ordinary Temperature	15°C to 35°C
	Ordinary Humidity	25% to 85%
	Ordinary air pressure	860 to 1060hPa

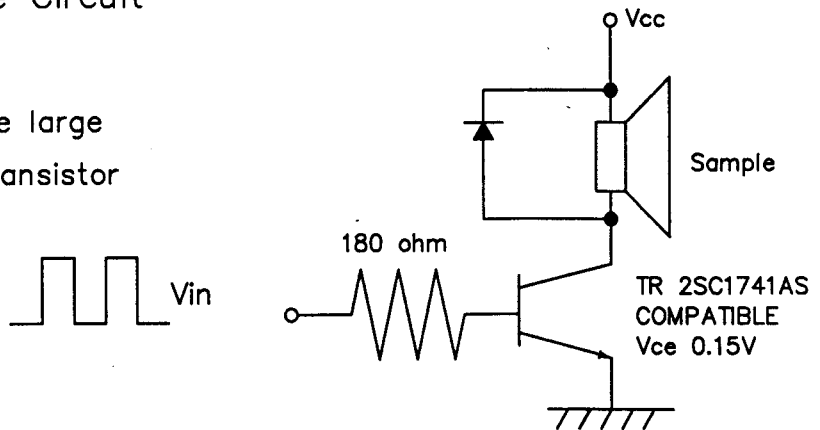
In case of doubtful judgment, the test is re-performed under Basic State.

2.2 Basic State	Temperature	20±2°C
	Humidity	60% to 70%
	Ordinary air pressure	860 to 1060hPa

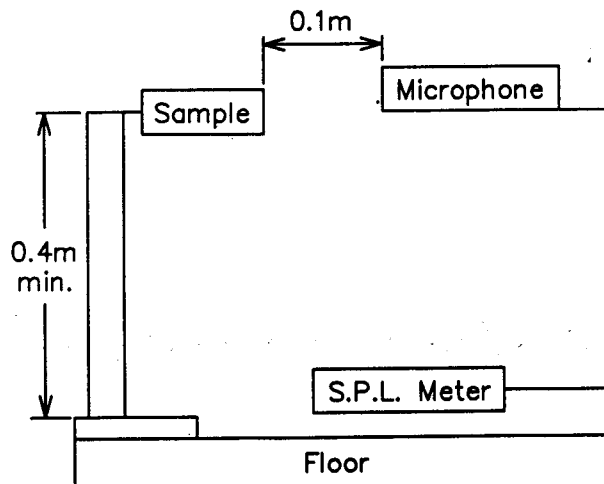
3. Test method :

3.1 Standard Drive Circuit

Signal amplitude should be large enough to saturate the transistor which drives the buzzer.



3.2 Standard Test Fixture

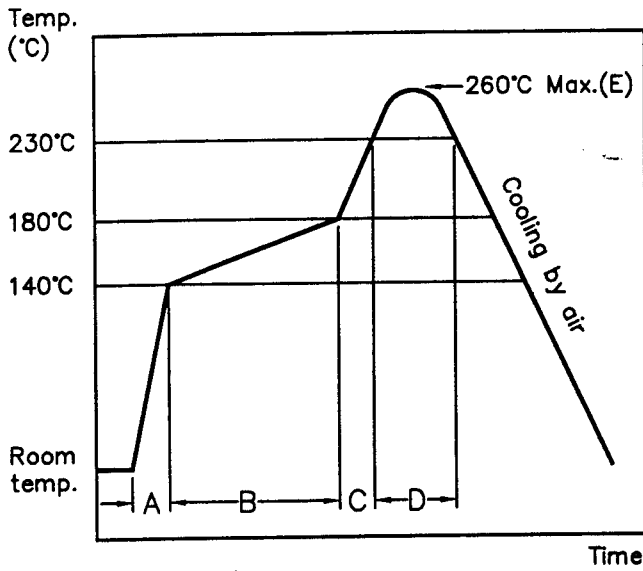


OBO Pro.2	SPECIFICATIONS	MODEL NO. OBO-30AR1
	PART NAME SMD-Electromagnetic Transducer	SHEET 4 OF 10

4. Soldering Condition :

4.1 Reflow Soldering

Recommendable reflow soldering condition is as follows.



NO.	Items	Condition	Unit
A	Temp. rise gradient	1 ~ 4	°C/sec
B	Heating time	50~150	sec
	Heating temperature	140~180	°C
C	Temp. rise gradient	1 ~ 4	°C/sec
D	Time over 230°C	48 Max.	sec
E	Peak temperature	260°C Max.	°C
	Peak-temp. hold time	Momentary	sec
Soldering		2	times

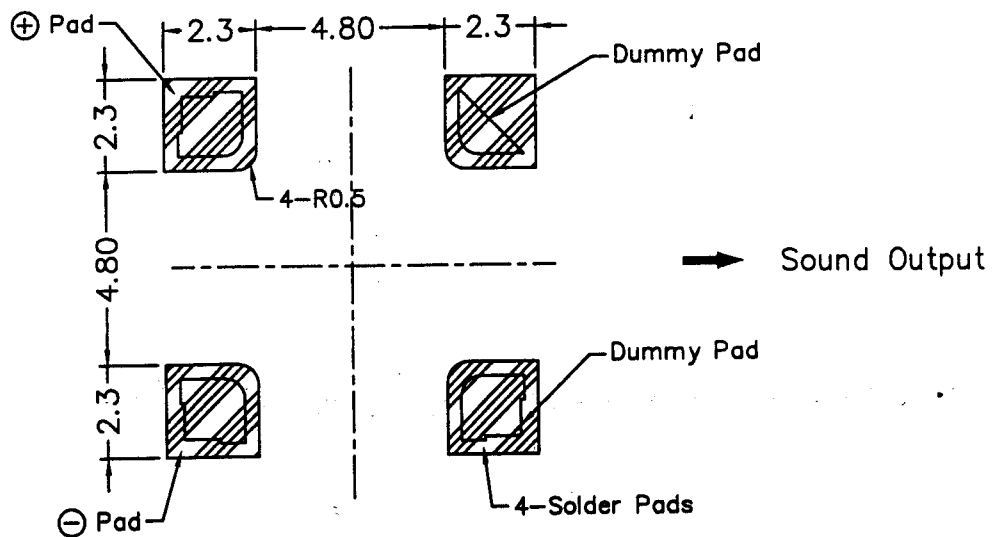
Note :

It is requested that second reflow soldering should be executed after heat of product goes down to normal temperature.

4.2 Hand Soldering

Soldering iron temperature 380°C less than 3 second.

4.3 Soldering Pattern



OBO Pro.2

SPECIFICATIONS

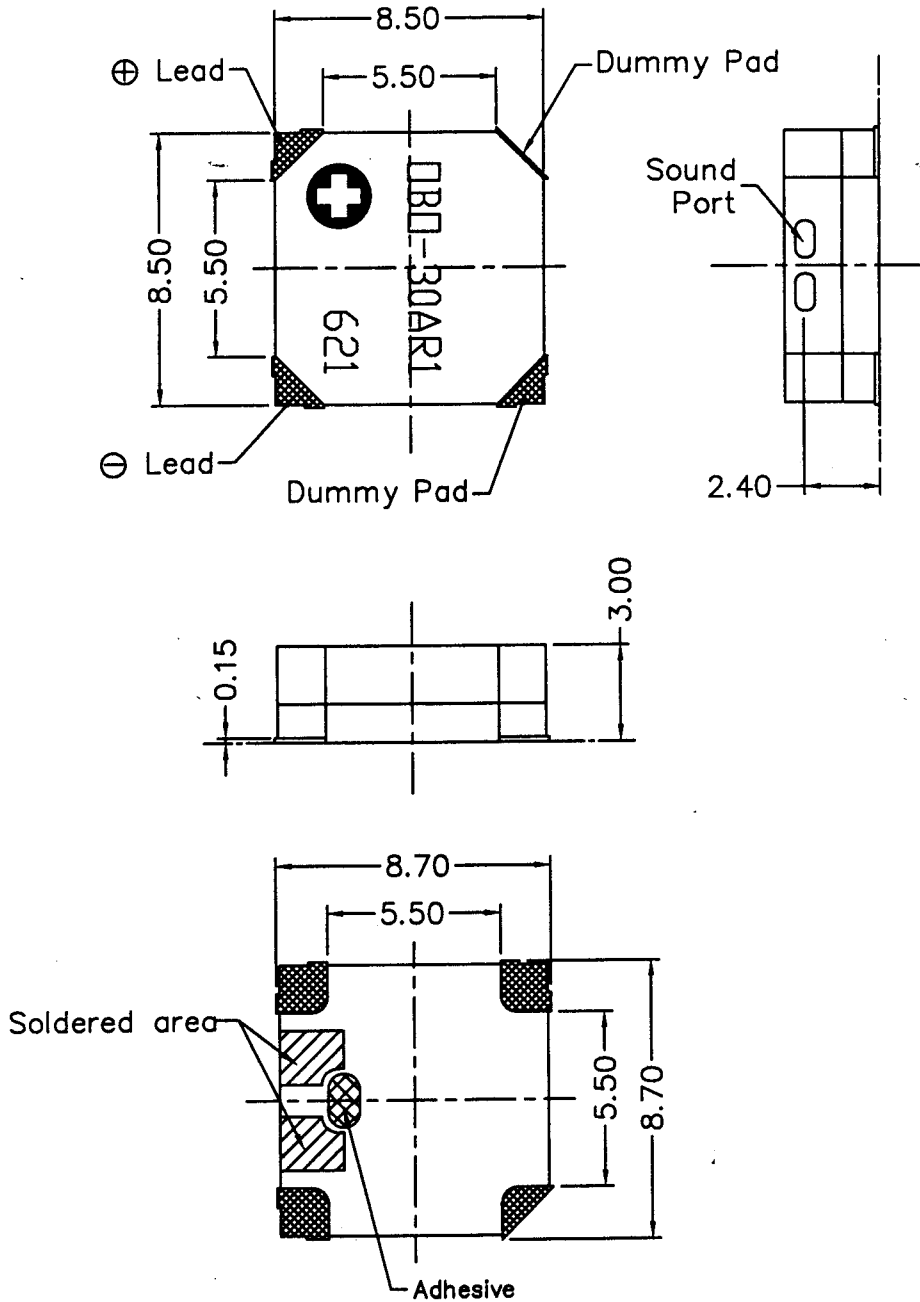
MODEL NO.
OBO-30AR1

PART NAME
SMD-Electromagnetic Transducer

SHEET
5 OF 10

5. Mechanical Layout and Dimensions

Unit : mm Tolerance : $\pm 0.2\text{mm}$



- Note :
- Meaning of Stamp Mark
 - 621 : Production Lot No.
 - 6 : Year 2006 (last 1 figures of the year)
 - 21 : week (01 ~55)
 - OBO-30AR1 : Model No.
 - ⊕ : Polarity indentification mark

OBO Pro.2

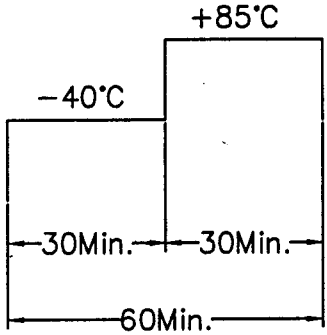
SPECIFICATIONS

MODEL NO.
OBO-30AR1

PART NAME
SMD-Electromagnetic Transducer

SHEET
6 OF 10

6. Reliability test :

NO.	Items	Test Conditions	Evaluation Criteria
6.1	High Temp. Storage	The part shall be capable of withstanding a storage temperature of +85°C for 240 hours.	After the test the part shall meet specifications without any degradation in appearance and performance except SPL. SPL shall be 80dB or more.
6.2	Low Temp. Storage	The part shall be capable of withstanding a storage temperature of -40°C for 240 hours.	
6.3	Thermal Shock	The part shall be subjected to 50 cycle. One cycle shall consist of : transfer time : 10 minutes 	
6.4	Humidity Test	The part shall be subjected to +60°C, 90% RH for 96 hours, and expose to room temperature for 6 hours.	
6.5	Vibration	10 – 55 – 10Hz, Sinewave Sweep 15 min. X,Y,Z 3 Direction 2 hours each, Total 6 hours.	
6.6	Drop test	Drop on hard wood board of 5cm. thick, any direction, 10 times, at the height of 75cm	

OBO Pro.2

SPECIFICATIONS

MODEL NO.
OBO-30AR1

PART NAME
SMD-Electromagnetic Transducer

SHEET
7 OF 10

NO.	Items	Test Conditions	Evaluation Criteria
6.7	Ordinary Temp. life	The part shall be subjected to 240 hours at 25±10°C. Input 3.0Vp-p Squarewave 1/2duty 2500Hz	
6.8	High Temp. life	The part shall be subjected to 240 hours at +60°C. Input 3.0Vp-p Squarewave 1/2duty 2500Hz	
6.9	Low Temp. life	The part shall be subjected to 240 hours at -20°C. Input 3.0Vp-p Squarewave 1/2duty 2500Hz	
6.10	Reflow		<p>a. No abnormality should be found after the test</p> <p>b. Good soldering to meet soldering requirements</p>

Notes :

As this product is not protected from foreign material entering, please make sure that that any foreign materials (e.g. magnetic powder, washing solvent, flux, corrosive gas) do not enter this product in your production processes. The functional degradation (e.g. SPL down) may occur if foreign material enter it.

OBO Pro.2

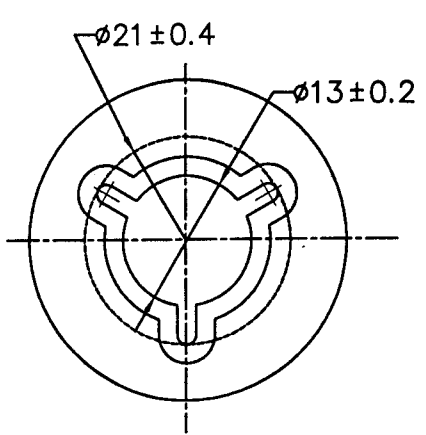
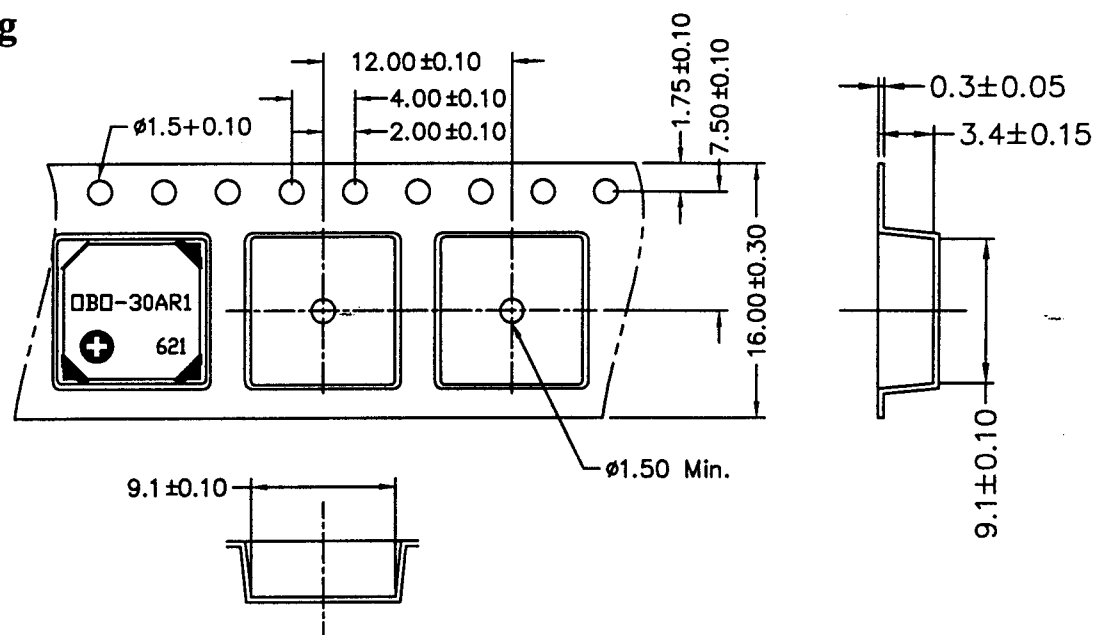
SPECIFICATIONS

MODEL NO.
OBO-30AR1

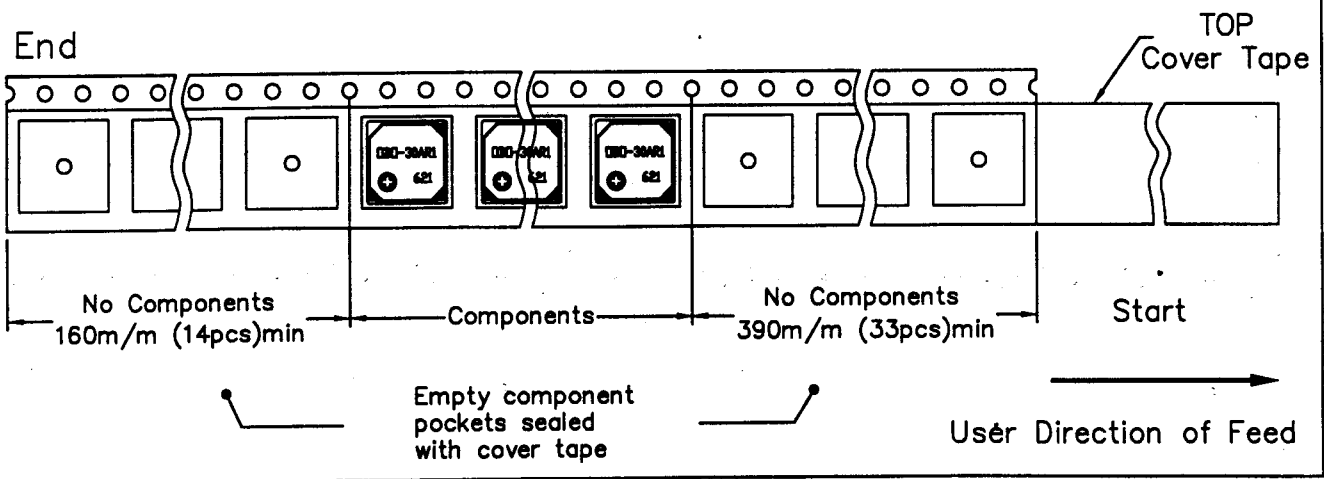
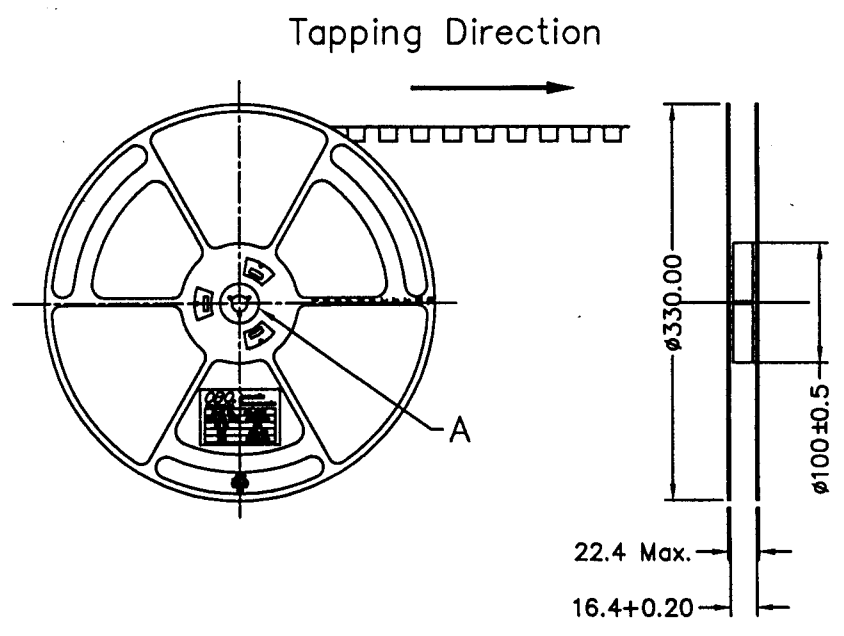
PART NAME
SMD-Electromagnetic Transducer

SHEET
8 OF 10

7. Packing



DETAIL : A
SCALE 8 : 1



OBO Pro.2

SPECIFICATIONS

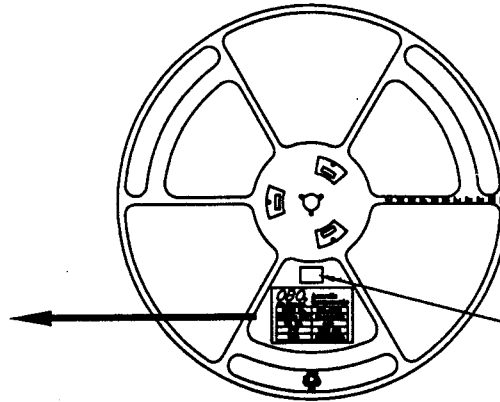
MODEL NO.
OBO-30AR1

PART NAME
SMD-Electromagnetic Transducer

SHEET
9 OF 10

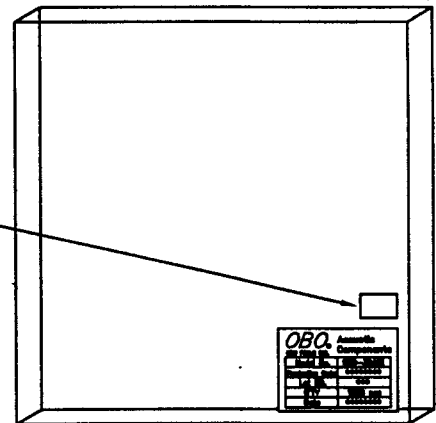
Label content

OBO Acoustic Components	
OBO PRO.2 INC.	
Model No.	OBO-30AR1
Production Order	*****
Lot NO.	***
Q'TY	1500 pcs
Date	*****



"RoHS" Tape

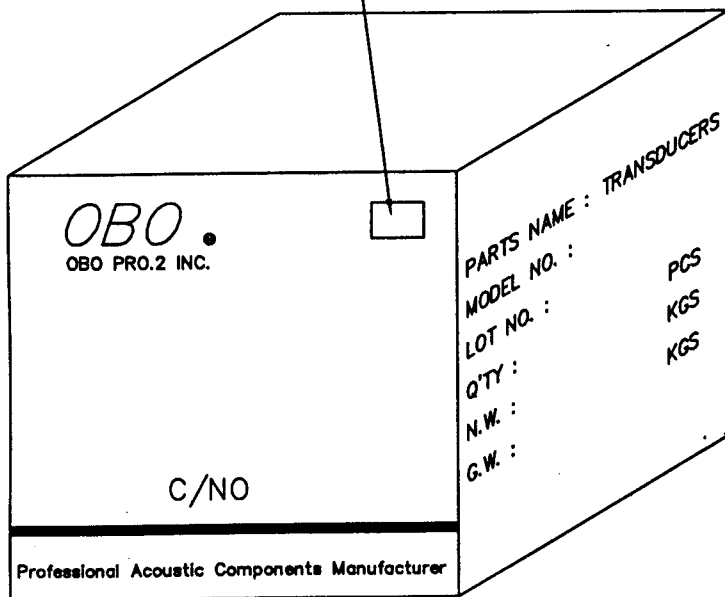
Inside box



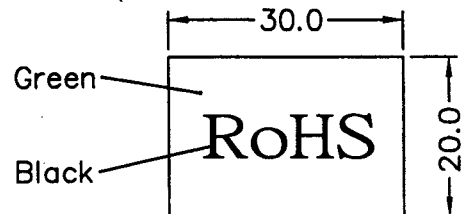
1 Reel / Inside box
(33.3*2.4*33.5)

"RoHS" Tape

Carton



10 Inside box (15000pcs)
/ Carton (34.5*26.5*35.3)



RoHS

RoHS Tape
(30*20 mm)

