



SPECIFICATIONS

MODEL NO
OBO-32AS1

PART NAME
SMD-Electromagnetic Transducer

SHEET
1 OF 6

ALTERNATION HISTORY

Marking	Date	ECN NO.	REV.	Description	Page	PREPARE BY	APPROVE BY
--	JUL.28,2012	---	A	Provisional document	6	羅小燕	黃炳紘
						OBO PRO.2 INC.	
						2012.07.28	
						文件发行章	

REV.	DATE	PREPARED BY	CHECKED BY	APPROVED BY
A	JUL.28,2012	羅小燕	黃炳紘	黃炳紘



SPECIFICATIONS

MODEL NO
OBO-32AS1

PART NAME
SMD-Electromagnetic Transducer

SHEET
2 OF 6

MODEL NO : OBO-32AS1

Features:

Conformity RoHS Directive(2002/95/EC) Requests.

1. General Specifications

	Items	Specification
1.1	※Sound Pressure Level	90 dB min./5cm/DC 3.6V
1.2	Rated Voltage	DC 3.6V
1.3	Resonant Frequency	2730Hz
1.4	※Rated Current	80 mA max./DC 3.6V
1.5	Coil Resistance	20 ± 3 Ω
1.6	Operating Voltage	DC 3 to 5 V
1.7	Housing Material	LCP(White)
1.8	Leading Pin	Plated Brass(Au)
1.9	Operating Temp. Range	-30°C to +70°C
1.10	Storage Temp Range	-40°C to +85°C
1.11	Weight	0.8 gms

OBO PRO.2 INC.

2012. 07. 28

文件发行章

2. Standard State

2.1 Standard State

Ordinary Temperature	15°C to 35°C
Ordinary Humidity	60% to 70%
Ordinary air pressure	860 to 1060hPa

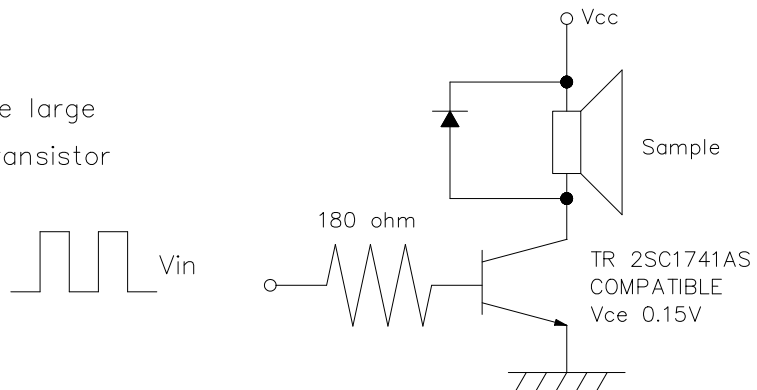
2.2 Basic State

Temperature	25±2°C
Humidity	60% to 70%
Ordinary air pressure	860 to 1060hPa

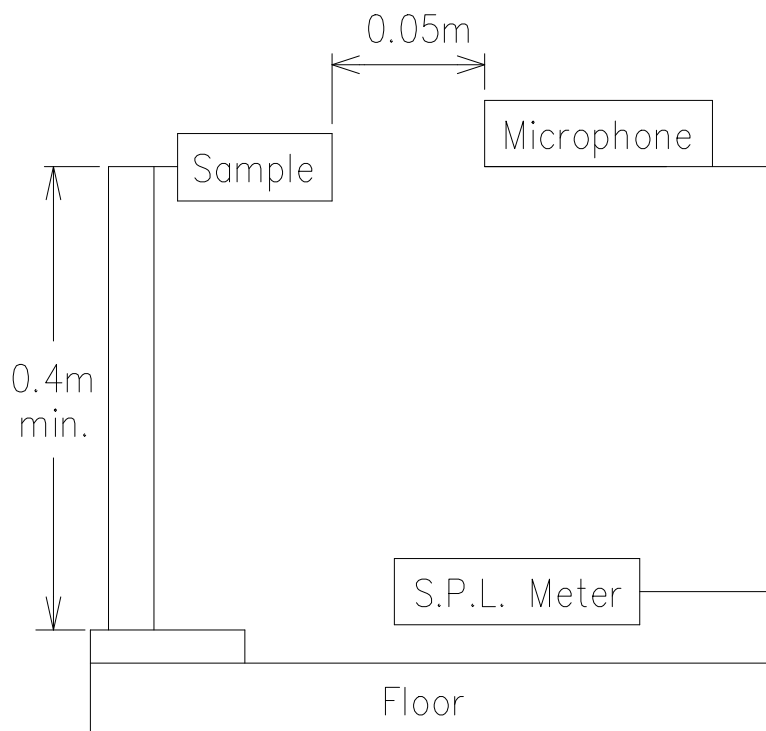
3. Test method

3.1 Standard Drive Circuit

Signal amplitude should be large enough to saturate the transistor which drives the buzzer.



3.2 Standard Test Fixture



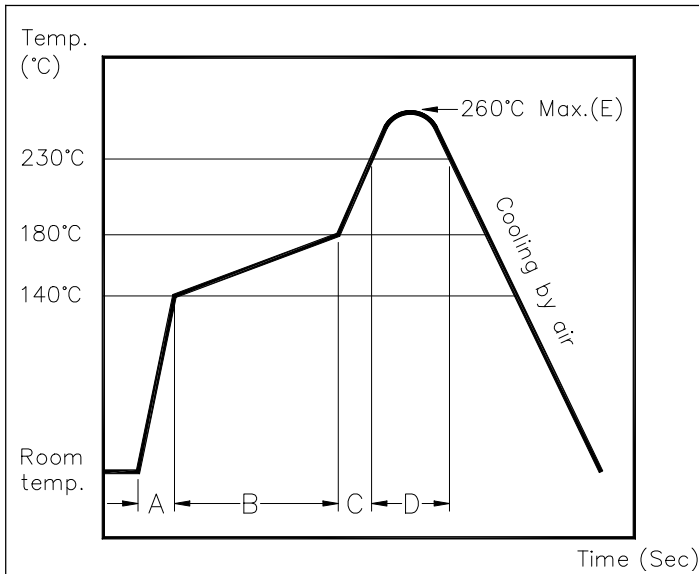
2012. 07. 28

文件发行章

4. Soldering Condition

4.1 Reflow Soldering

Recommendable reflow soldering condition is as follows.



NO.	Items	Condition	Unit
A	Temp.rise gradient	1~4	°C
B	Heating time	50~150	sec
	Heating temperature	140~180	°C
C	Temp.rise gradient	1~4	°C/sec
D	Time over 230°C	48 Max.	sec
E	Peak temperature	260°C Max	°C
	Peak-temp.hold time	Momentary	sec
Soldering		2	times

Note :

It is requested that second reflow soldering should be executed after heat of product goes down to normal temperature.

4.2 Hand Soldering

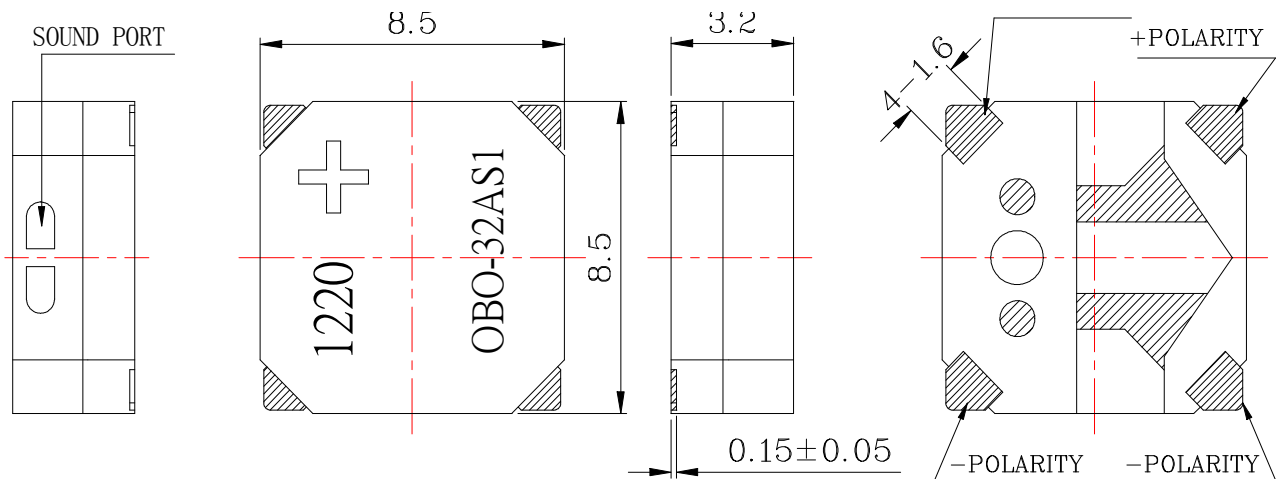
Soldering iron temperature 380°C less than 3 second.

5. Mechanical Layout and Dimensions

5.1 Dimensions

Tolerance: $\pm 0.05\text{mm}$ Unit: mm

文件发行章



Note :

Meaning of Stamp Mark

1220 : Production Lot No.

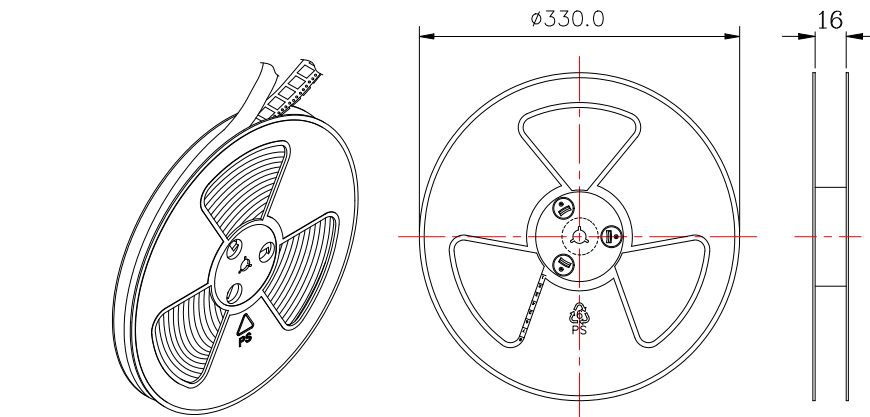
12 : Year 2012 (last 1 figures of the year)

20 : week (01~55)

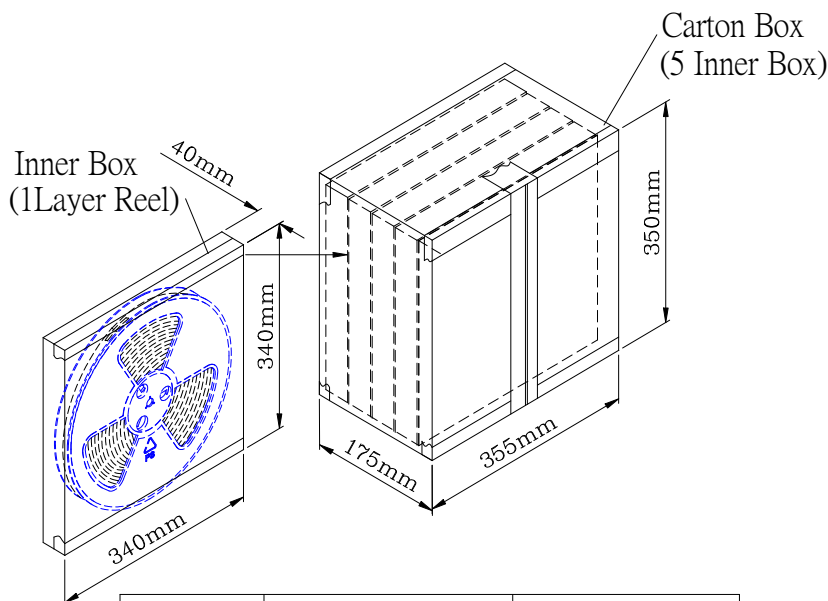
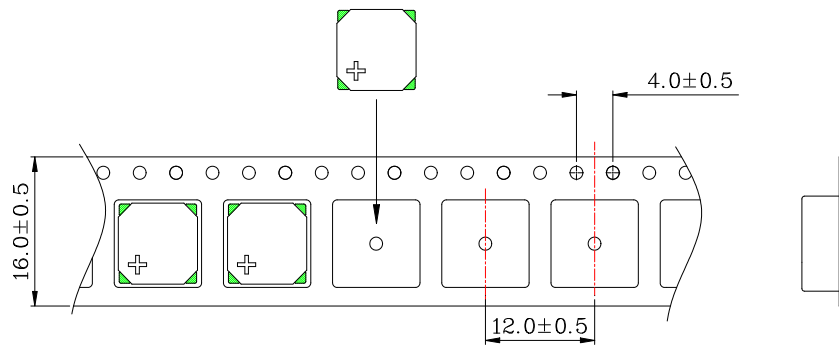
32AS1 : Model No.

⊕ : Polarity identification mark

5. PACKING



1 Reel : 1000PCS



Inner Box	340mmx340mmx40mm	1x1000PCS=1000PCS
Carton Box	350mmx355mmx175mm	5x1000PCS=5,000PCS