

OBO.Pro.2.

SPECIFICATIONS

MODEL NO.
OBO-352

PART NAME
Piezoelectric Buzzer

SHEET
1 OF 5

ALTERNATION HISTORY

Marking	Date	ECN NO.	REV.	Description	Page	PREPARE BY	APPROVE BY
△	NOV,19'04	DG0410001	H	Pb-free Soldering	5	PHOENIX	
※1	May,09,2005	DG0505003	I	material modify	5	Hms	<i>[Signature]</i>
<div data-bbox="1141 622 1372 779" data-label="Text"><p>OBO PRO.2INC. 2005 MAY 14. 文件发行章</p></div>							

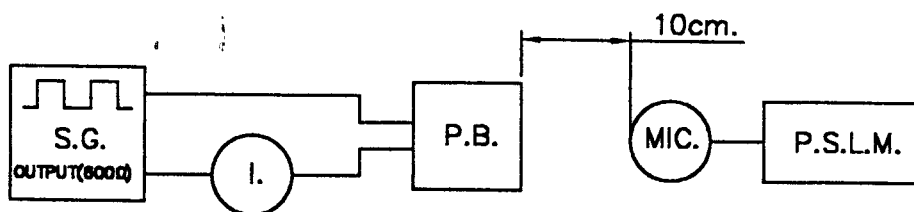
REV.	DATE	PREPARED BY	CHECKED BY	APPROVED BY
I	May,10,'2005	<i>[Signature]</i> 5/10	<i>[Signature]</i>	<i>[Signature]</i> 5/10

Model No. : OBO-352

Features : External drive & Pb-free Soldering Type

**1. General Requirements**

Items	Spec.
Sound Pressure Level	90dB Min. at 2.5KHz/9Vp-p Square Wave/10cm.
	80dB Min. at 2.5KHz/1Vrms Sine Wave/10cm.
Capacitance	30,000pF \pm 30% at 120Hz
Current Consumption	5mA Max. at 2.5KHz/9Vp-p Square Wave
Allowable Input Voltage	30Vp-p Max.
Case Material	TopCase:PBT/BottomCase:ABS(UL 94HB)
Operating Temp. Range	-20°C to +60°C
Storage Temp. Range	-30°C to +70°C
Weight	11.0 gms
Frequency Response	As Per Fig.1

2. Test Method**2.1 Standard Test Diagram**

- S.G. : GAG-808G Audio Generator or Equivalent
 MIC. : B&K-4176 Microphone or Equivalent
 P.S.L.M. : B&K-2232 Precision Sound Level Meter or Equivalent
 I. : GDM-8145 Multimeter or Equivalent
 P.B. : Piezoelectric Buzzer

Note: Please pay attention never to be applied DC voltage to piezo sounder

OBO.Pro.2.

SPECIFICATIONS

MODEL NO.
OBO-352

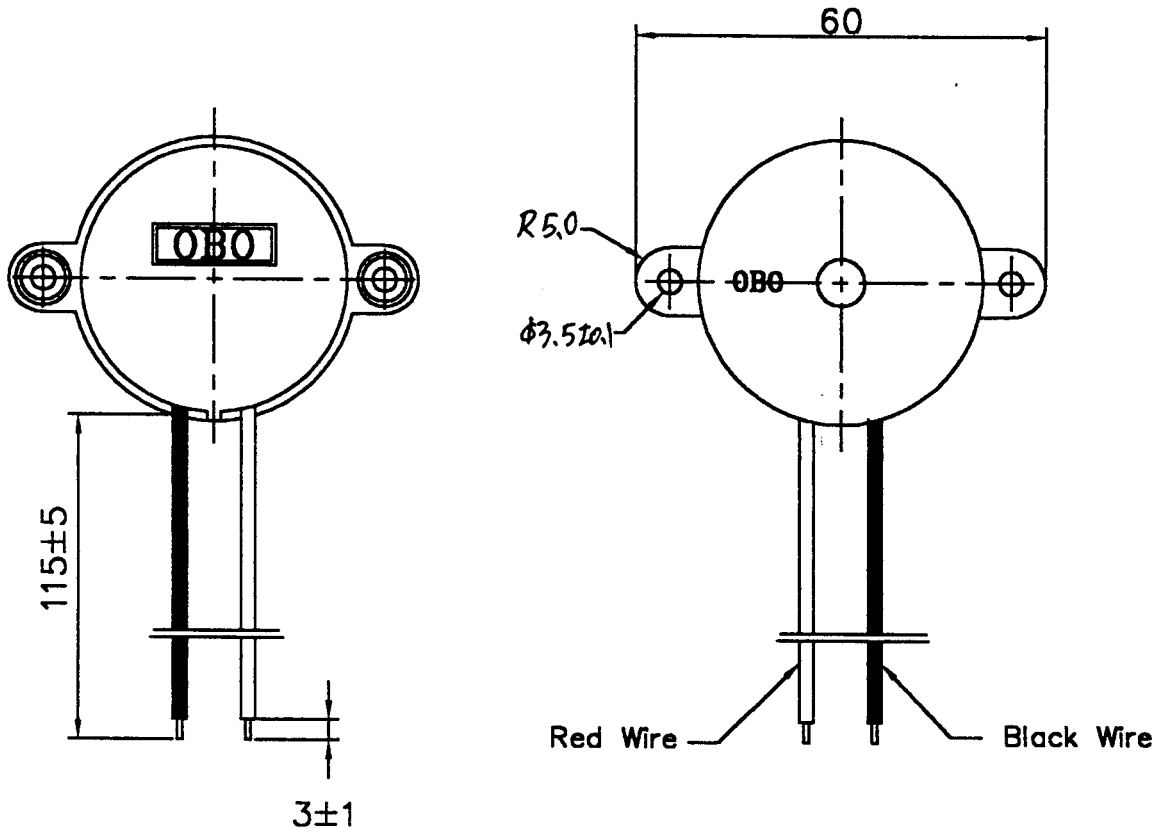
PART NAME
Piezoelectric Buzzer

SHEET
3 OF 5

3. Appearance and Dimensions

Unit : mm Tolerance : ± 0.5

OBO PRO 2 INC.
2005 MAY 14.
文件发行章



Customer	Lead Wire
Standard	UL1095#28

OBO.Pro.2.

SPECIFICATIONS

MODEL NO.
OBO-352

PART NAME
Piezoelectric Buzzer

SHEET
4 OF 5

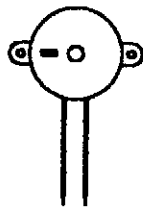
4. Soldering condition

4.1 Hand soldering / touchup

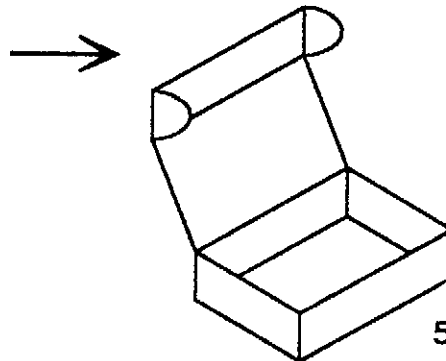
soldering iron tip temperature 350 C° for 3 seconds.

OBO PRO.2 INC
2005 MAY 14.
文件发行章

5. Package

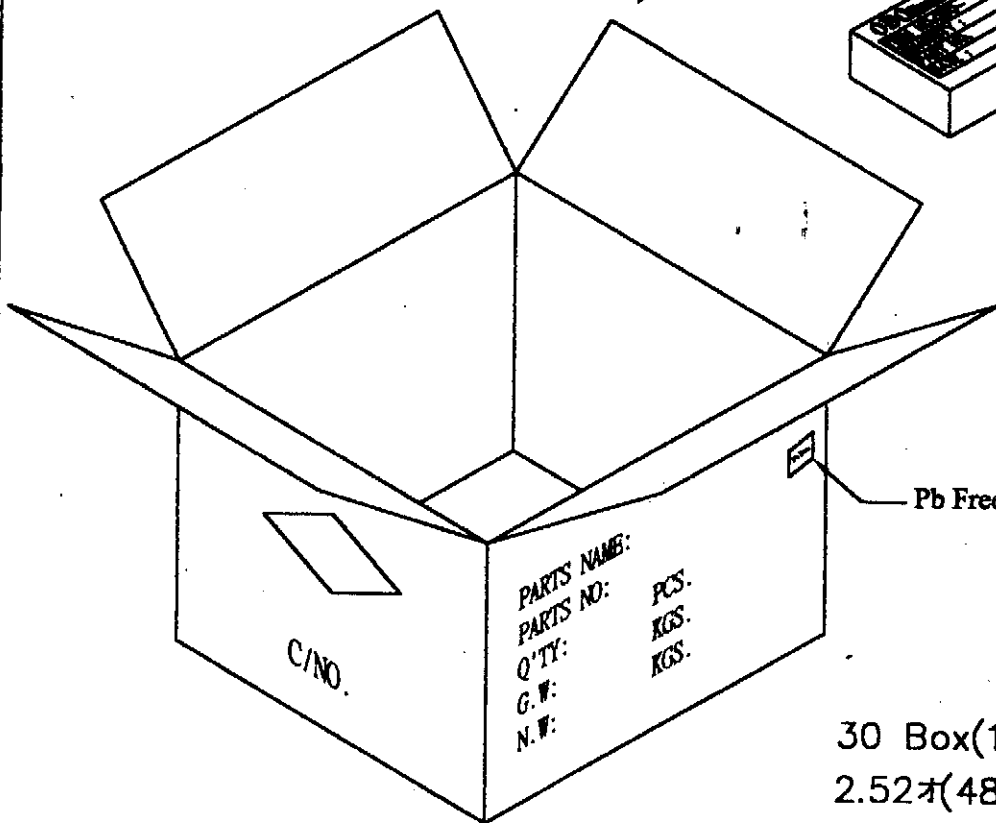
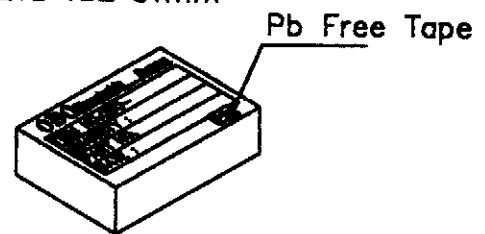


Buzzer



Green
Black
Pb Free
Pb Free Tape
(30*20mm)

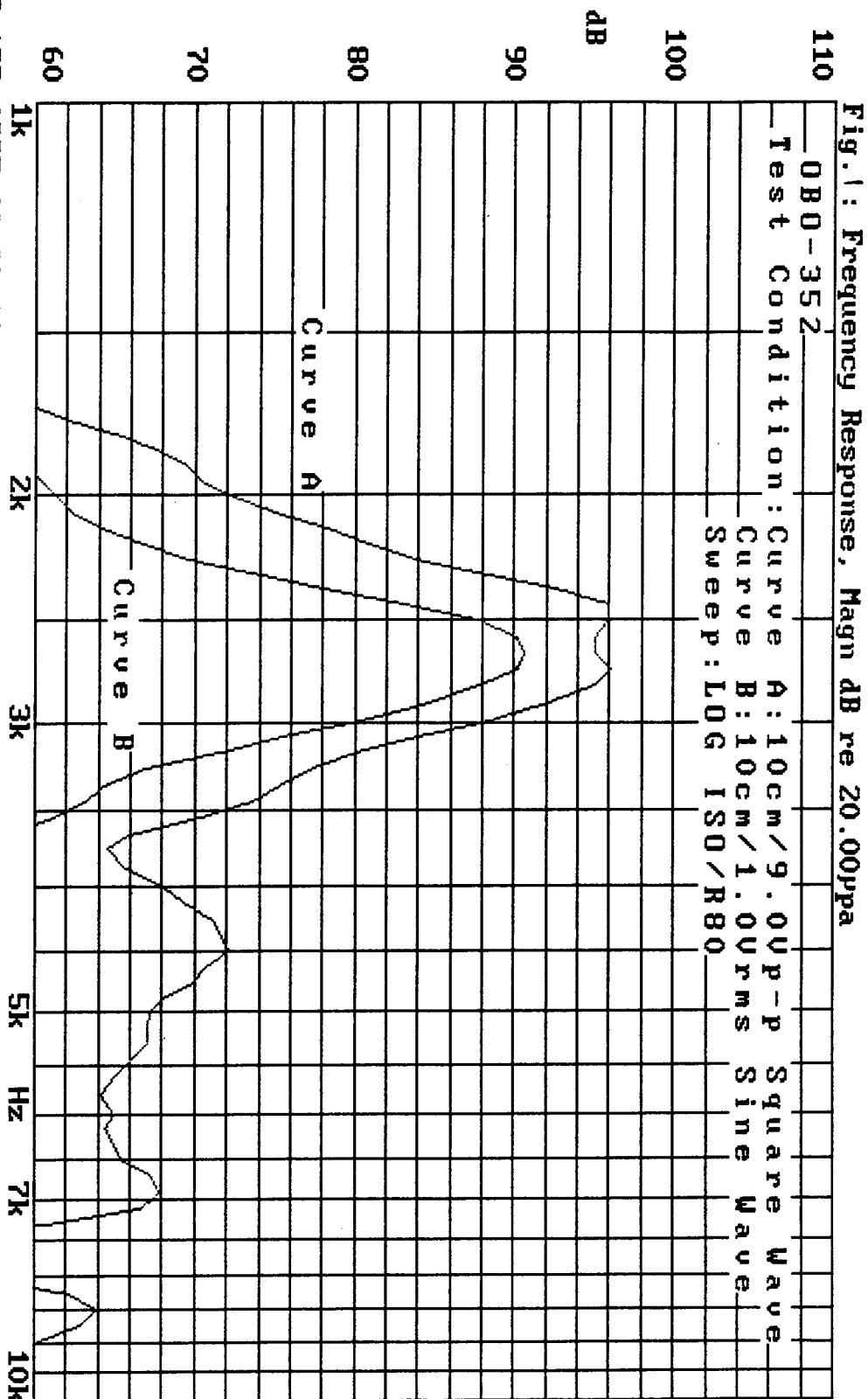
50pcs./Box
218*152*61mm



Pb Free Tape

PARTS NAME:
PARTS NO: PCS.
Q'TY: KGS.
G.W: KGS.
N.W:

30 Box(1,500pcs)/ Carton
2.52寸(488*452*330mm)



17-APR-1997 16:08:06

Mode: SSR

