



<b>OBO Pro.2</b>	<b>SPECIFICATIONS</b>	<b>MODEL NO.</b> OBO-35213
	<b>PART NAME</b> Piezoelectric Buzzer	<b>SHEET</b> 2 OF 5

**MODEL NO : OBO-35213**

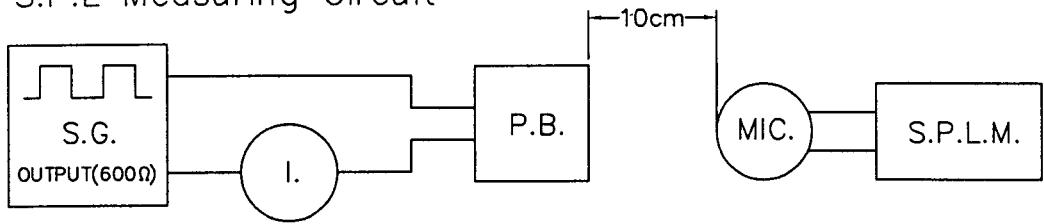
**Features : External Drive & Lead Wire Type**  
**Conformity RoHS Directive ( 2002/95/EC ) Requests. ※1**

**1. General Specifications :**

Items	Specification
Sound Pressure Level	80dB Min. at 1.1KHz/9Vp-p Square Wave/10cm
	70dB Min. at 1.1KHz/3Vrms Sine Wave/10cm
Capacitance	47,000pF ± 30% at 120Hz
Current Consumption	3mA max. at 1.1KHz/9Vp-p Square Wave
Allowable Input Voltage	30Vp-p max.
Case Material	ABS (UL 94HB)
Operating Temp. Range	-20°C to +60°C
Storage Temp. Range	-30°C to +70°C
Weight	2.0 gms
Frequency Response	As Per Fig.1

**2. Measuring Method**

2.1 S.P.L Measuring Circuit



- S.G. :GAG-808G Audio Ggenerator or Equivalent
- S.P.L.M. :Sound Pressure Level Meter IEC651 TYPE2
- I. :GDM-8145 Multimeter or Equivalent
- P.B. :Piezoelectric Buzzer

Note: please pay attention never to be applied DC voltage to piezo sounder.

2.2 Measuring condition ※1

Part shall be measured under a condition(Temperature: +5 to +35°C, Humidity: 45% to 85%R.H.) unless the standard condition (Temperature: +25±3°C, Humidity: 60±10%R.H.) is regulated to measure.

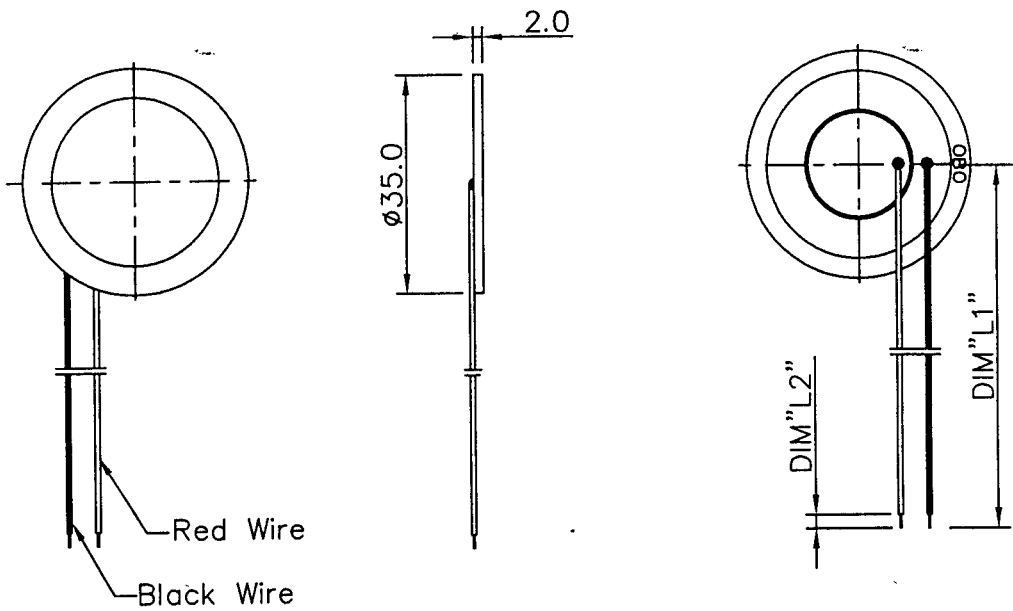
<b>OBO Pro.2</b>	<b>SPECIFICATIONS</b>	<b>MODEL NO.</b> OBO-35213
	<b>PART NAME</b> Piezoelectric Buzzer	<b>SHEET</b> 3 OF 5

### 3. Mechanical Layout and Dimensions

#### 3.1 Dimensions

Tolerance:  $\pm 0.5$  mm

Unit: mm



Customer	Lead Wire	DIM "L1"	DIM "L2"
Standard	UL 1095 28AWG	135 $\pm$ 5	3 $\pm$ 1

#### 3.2 Environment-related substances to be controlled ※1

◎ Piezoelectric Ceramic Disc.

RoHS Annex

Application of lead, mercury, cadmium and hexavalent chromium, which are exempted from the requirement of article 4(1).

\* Lead in electronic ceramic parts.(e.g. piezoelectronic devices).

<b>OBO Pro.2</b>	<b>SPECIFICATIONS</b>	<b>MODEL NO.</b> OBO-35213
	<b>PART NAME</b> Piezoelectric Buzzer	<b>SHEET</b> 4 OF 5

**4. Soldering Condition :** ※1

4.1 Hand Soldering

Iron Tip Temperature	Soldering time
+ 380°C Max.	Duration 3 seconds Max.

**5. Packing :**

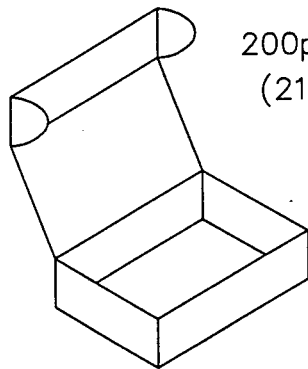


Buzzer

OBO PRO.2 INC.

MODEL NO.	
LOT NO.	
QUANTITY	
DATE	

50pcs / Label  
(80\*50\*0.08mm)

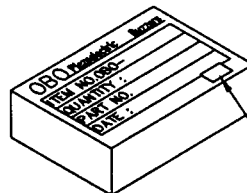


200pcs / Inside Box  
(21.8\*15.2\*6.1cm)

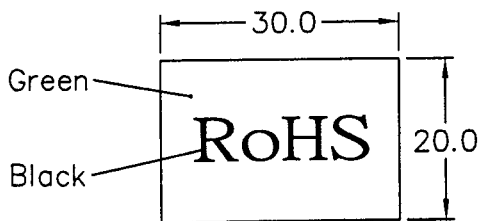


50pcs/ PE Bag  
(220\*155\*0.05mm)

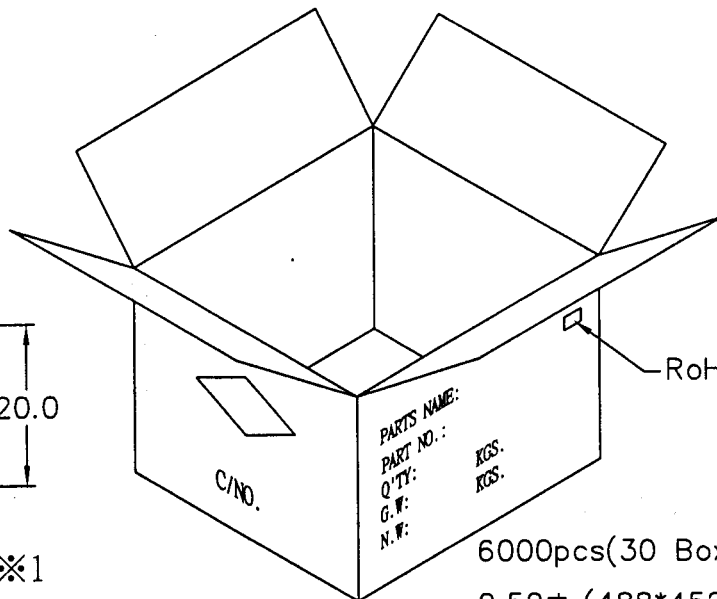
RoHS Tape ※1



RoHS Tape ※1



RoHS Tape  
(30\*20 mm) ※1



RoHS Tape ※1

6000pcs(30 Box)/Carton  
2.52寸 (488\*452\*330mm)

