

OBO PRO.2 INC.
 2009 FEB 26
 文件发行章

OBO Pro.2	SPECIFICATIONS	MODEL NO. OBO-35332
	PART NAME Piezoelectric Buzzer	SHEET 1 OF 6

ALTERNATION HISTORY

Marking	Date	ECN NO.	REV.	Description	Page	PREPARE BY	APPROVE BY
※1	MAR.07'07	0608003	F	Conformity RoHS Directive (2002/95/EC) Requests.	6	---	---
※2	FEB.24'09	DG0902012	G	Print production Lot NO.	6	王志伟	2/24

REV.	DATE	PREPARED BY	CHECKED BY	APPROVED BY
G	FEB,24,2009	王志伟	2/24	2/24

OBO Pro.2 GPC
2009-2-26

OBO Pro.2	SPECIFICATIONS	MODEL NO. OBO-35332
	PART NAME Piezoelectric Buzzer	SHEET 2 OF 6

MODEL NO : OBO-35332

Features : Self Drive & Lead Pin Type.

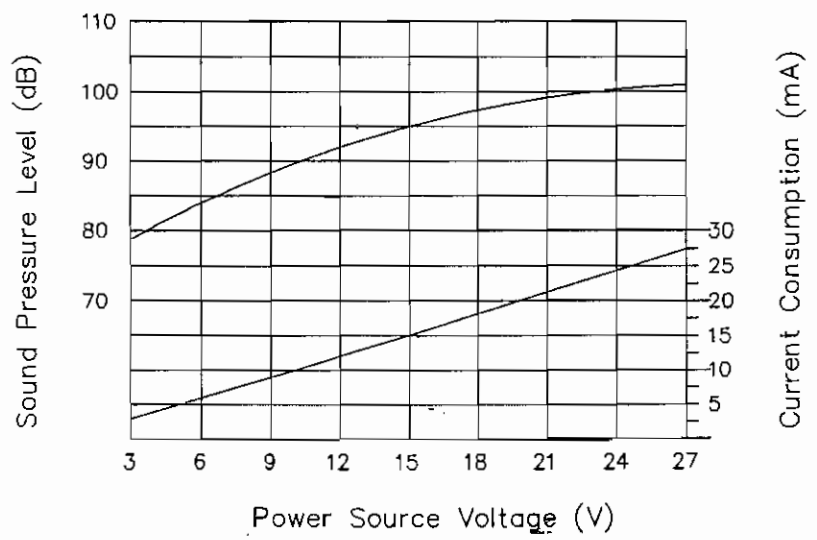
Conformity RoHS Directive (2002/95/EC) Requests. ※1

1. General Specifications :

Items	Specification
Sound Pressure Level	88dB min./30cm/DC9V
Oscillating Frequency	3.2 ± 0.5KHz
Current Consumption	9mA max./DC9V
Operating Voltage	DC 3 to 27V
Case Material	PC (UL 94V-2)
Lead Pin Material	Phosphor Bronze(Sn Plated)
Operating Temp. Range	-20°C to +70°C
Storage Temp.. Range	-40°C to +85°C
Weight	12.5 gms
Voltage vs Sound Pressure vs Current Consumption Curve	As Per Fig.1

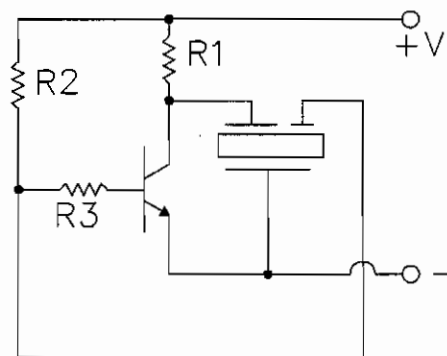
Fig.1:

Measurement distance : 30cm. / Current consumption by GDM-8145
Sound level meter by IEC651 TYPE2 / DC power supply by GPC-3030D



2. Test Method :

2.1 Standard Test Diagram



R1: 561
 R2: 104
 R3: 562
 Tr: 2SC2458Y

2.2 Standard Test Condition ※1

Part shall be measured under a condition
 (Temperature : +5 to +35°C, Humidity : 45% to 85%R.H.)
 unless the standard condition. (Temperature : +25±3°C,
 Humidity : 60±10%R.H.) is regulated to measure.

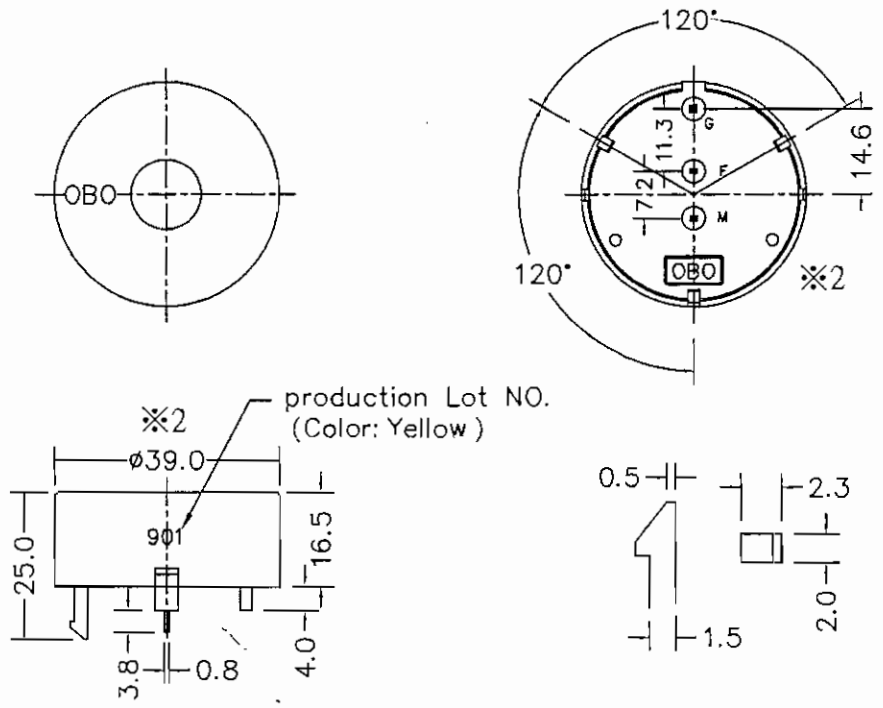
OBO PRO.2 INC.
2009 FEB 26

OBO Pro.2	SPECIFICATIONS	MODEL NO. 発行 草 OBO-35332
	PART NAME Piezoelectric Buzzer	SHEET 4 OF 6

3. Mechanical Layout and Dimensions :

3.1 Dimensions

Unit : mm Tolerance : ± 0.5



3.2 Environment-related substances to be controlled ※1

◎ Piezoelectric Ceramic Disc.

RoHs Annex :

Application of lead, mercury, cadmium and hexavalent chromium, which are exempted from the requirement of article 4(1).

* Lead in electronic ceramic parts.(e.g. piezoelectronic devices).

GBO PRO.21INC.
2009 FEB 26
发行章

OBO Pro.2	SPECIFICATIONS	MODEL NO. OBO-35332
	PART NAME Piezoelectric Buzzer	SHEET 5 OF 6

4. Soldering Condition : ※1

4.1 Wave Soldering

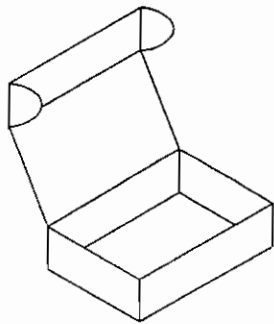
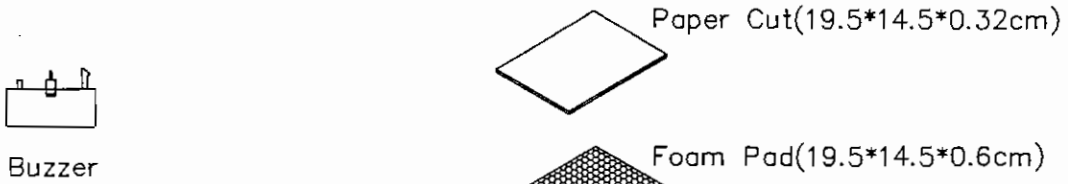
Peak temperature	Dipping time	Soldering
+ 260°C	5 seconds	1 time

4.2 Hand Soldering

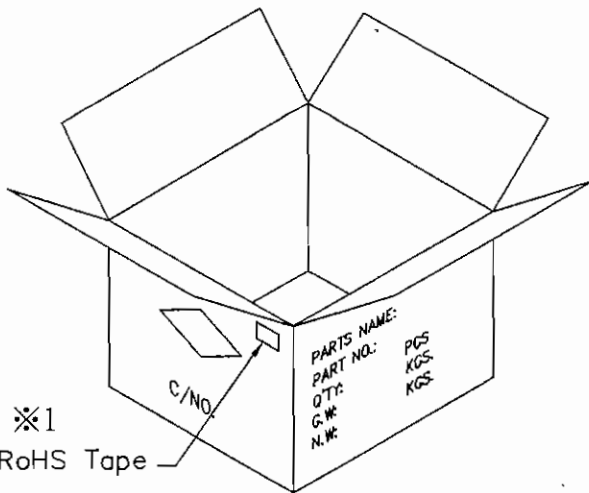
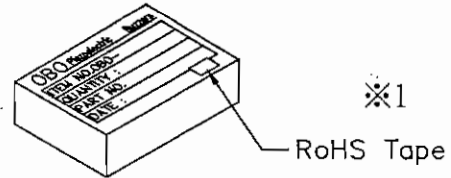
Iron Tip Temperature	Soldering time
+ 380°C Max.	Duration 3 seconds Max.

OBO Pro.2	SPECIFICATIONS	MODEL NO. OBO-35332
	PART NAME Piezoelectric Buzzer	SHEET 6 OF 6

5. Packing :



38pcs./Inside Box
(21.8*15.2*6.1cm)



30 Box(1140pcs)/ Carton
2.52寸(48.8*45.2*35.2cm)

