



SPECIFICATIONS

MODEL NO
OBO-36008G-05

PART NAME
DYNAMIC SPEAKER

SHEET
2 OF 5

MODEL NO : OBO-36008G-05

Features:Conformity RoHS Directive(2002/95/EC) Requests.

1. General Specifications

Items	Spec.
Magnet	Materials NDFEB Size: Φ 12.5*1.5mm
Weight	Approx 5.8Grams
Nominal Impedance	8 Ohm \pm 15%
Power Rating	Normal 1.0W. Maximum 2.0W.
Lowest Resonant Frequency	600 \pm 150Hz.
Output Sound Pressure Level (S.P.L)	79 \pm 3dB /1W/1Meter Average at 1000,1200,1500,2000Hz.
Frequency Range	F0 ~ 20000 Hz. Average SPL -10dB.
Distortion	5% Maximum At 1000Hz 1.0W
Abnormal Sound Test	Must be Normal Tested by 2.83Volts. Sine Wave
Polarity	Diaphragm shall move Forward when Apply a Positive DC Current to the "+" or "Marked" Terminal.
Operating Temperature	-20 $^{\circ}$ C to +50 $^{\circ}$ C
Storage Temperature	-25 $^{\circ}$ C to +55 $^{\circ}$ C

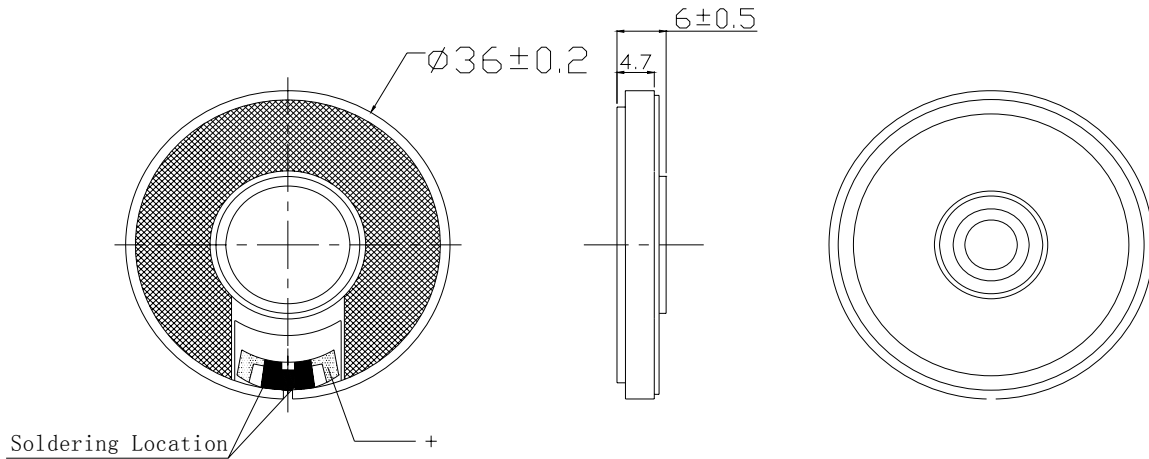
2. Environmental Test

Humidity Test	Temperature:	+40 $^{\circ}$ C \pm 3 $^{\circ}$ C
	Relative Humidity:	90% ~ 95%
	Duration:	96 Hours
	Duration of recovery:	6 Hours
Temperature Test	High Temperature:	+55 $^{\circ}$ C \pm 3 $^{\circ}$ C
	Low Temperature:	-25 $^{\circ}$ C \pm 3 $^{\circ}$ C
	Duration:	96 Hours
Temperature Cycle Test	Temperature:	+55 $^{\circ}$ C \rightarrow +25 $^{\circ}$ C \rightarrow -25 $^{\circ}$ C \rightarrow +25 $^{\circ}$ C
	Duration:	1Hour 1Hour 1Hour 1Hour
	Cycle:	3 Cycles
Vibration Test	Vibration Direction:	3 axes
	Mounting:	Unit Shall Be Rigidly Restrained On The Table
	Frequency:	1,000 Cycle/Minute
	Amplitude:	1.5m/m
	Endurance:	1 Hour in Each Plane
	Duration of Transfer Time:	Less Than 5Minutes
Load Test	White Noise With Weighted Filter 2.83 Volts.(RMS) 96 Hrs. 20~20,000Hz Resonant Frequency.	
Drop Test	75cm Free Falling On Counter Floor, with 10 times.	

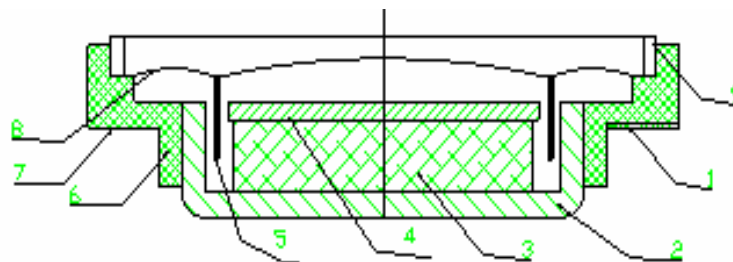
3. Mechanical Layout And Dimension

3.1 Dimension.

Unit: mm Tol: ±0.3



3.2 Speaker Construction.

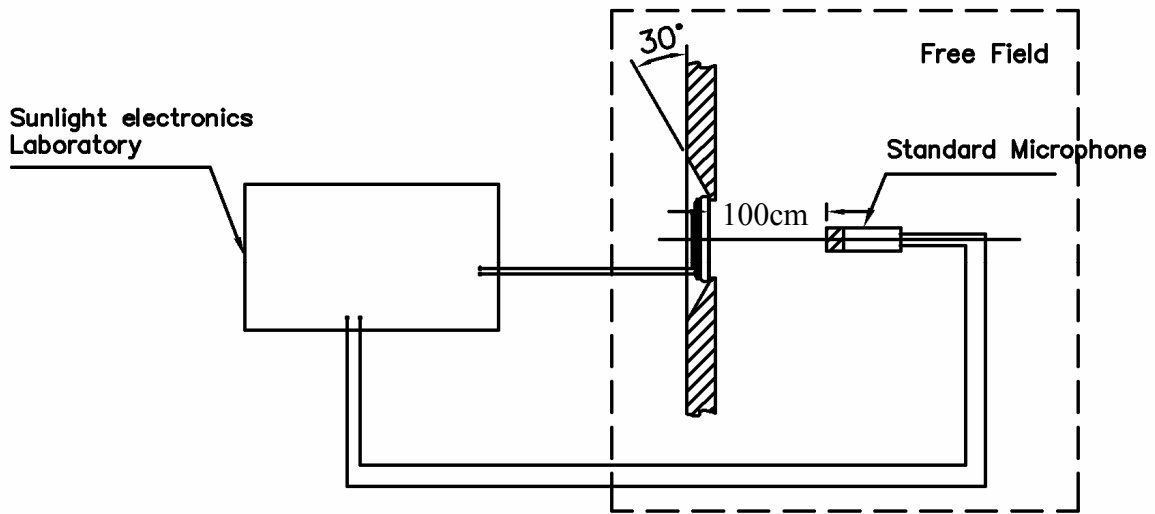


10			
9	GASKET	PAPER	1
8	DIAPHRAGM	MYLAR	1
7	CLOTH	CLOTH	1
6	PLASTIC	ABS	1
5	VOICE COIL	DIA 13.25mm	1
4	WASHER	SPCC	1
3	MAGNET	NdFeB	1
2	YOKE	SPCC	1
1	TERMINAL	P.C.B	1
NO	PART NAME	MATERIAL	Q'TY

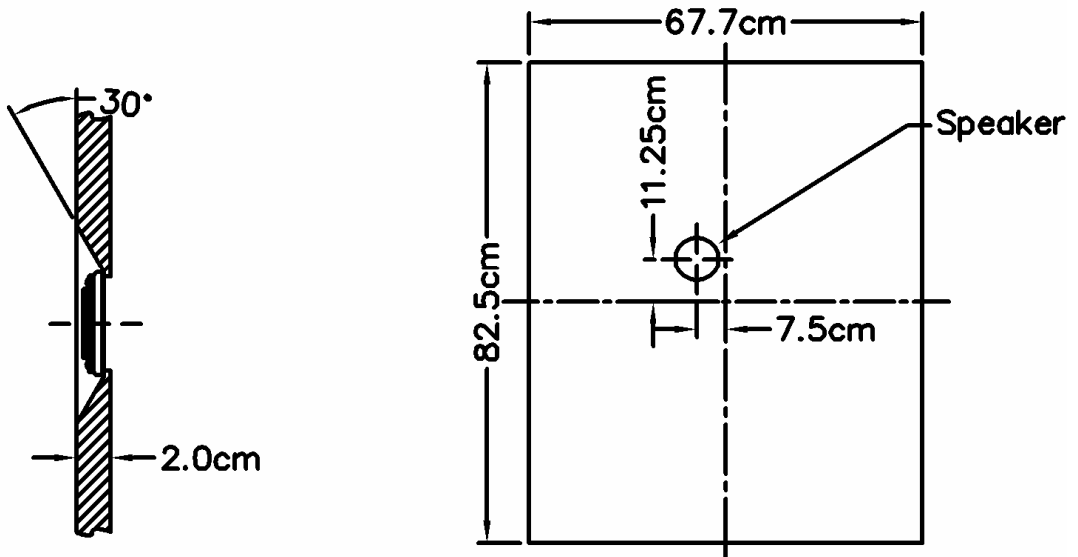
4. Test Method

4.1 Measurement Diagram

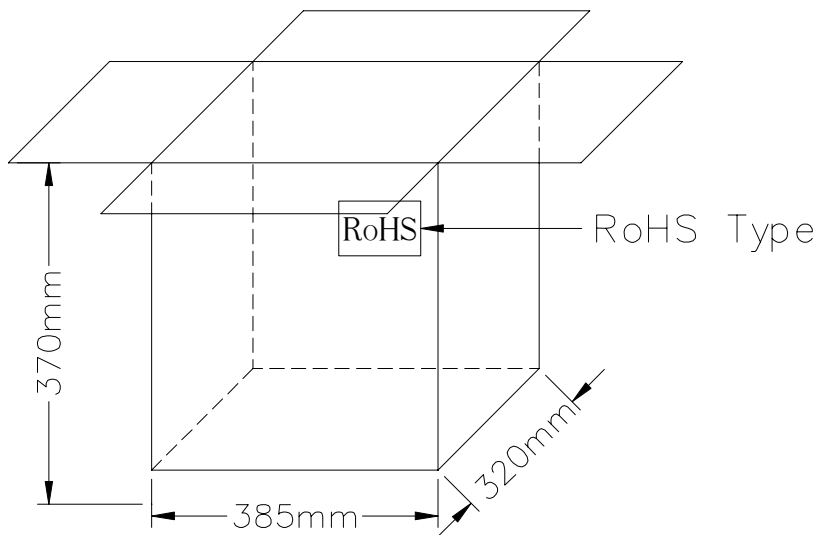
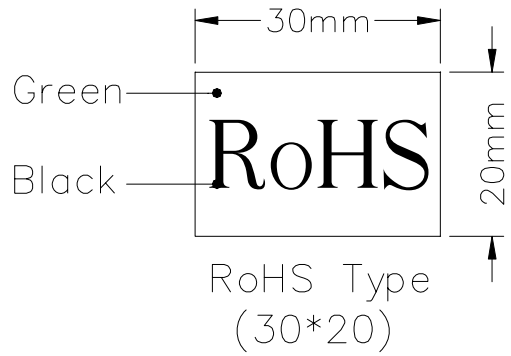
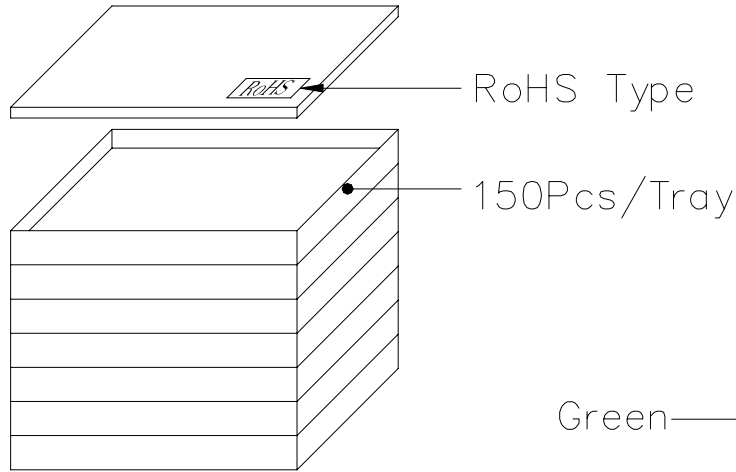
Electroacoustic
Testing Adapter



4.2 Standard Baffle



5.PACKING



1050Pcs/Carton
7Tray(385*320*370mm)