

OBO Pro.2**SPECIFICATIONS**MODEL NO
OBO- 36100F-03PART NAME
DYNAMIC SPEAKER

SHEET

2 OF 5

OBO PRO.2 INC

2013 JAN 11

文件发行章

MODEL NO : OBO- 36100F-03

Features: Conformity Rosh Directive (2002/95/EC) Requests.

1. General Specifications

Items	Spec.
Magnet	Materials: NdFeB SIZE: Ø12.5 X 1.5mm
Weight	Approx 8.3Grams
Nominal Impedance	100 Ohm±15% at 800Hz
Power Rating	Normal 0.2W. Maximum 0.5W
Lowest Resond Frequency	500±150Hz
Output Sound Pressure Level (S.P.L)	81 ±3 dB/0.2W/0.5M Average at 800,1000,1200,1500Hz.
Frequency Response Range	380-6500Hz .Average SPL-10dB
Distortion	5% Max at 1000Hz. 0.2W
Abnormal Sound Test	Must be Normal Tested by 4.47 Volts. Sine Wave
Polarity	Diaphragm shall move Forward when Apply a Positive DC Current to the "+" or "Marked" Terminal.
Operating Temperature	-25°C TO +50°C
Storage Temperature	-25°C TO +55°C

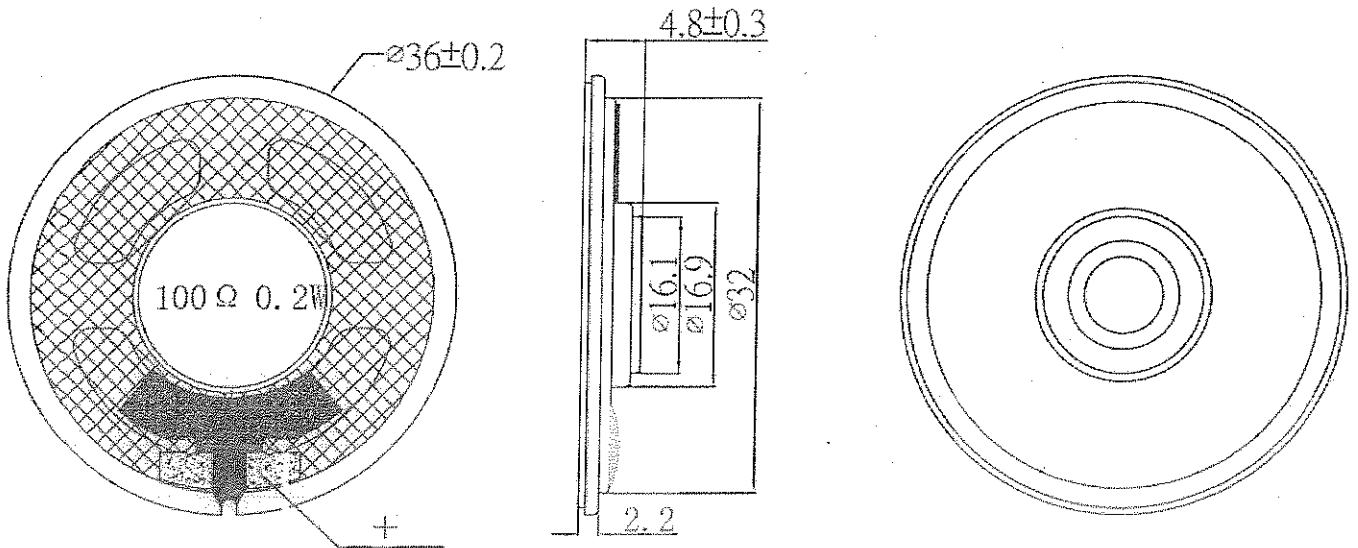
2. Environmental Test

Humidity Test	Temperature: +40°C±3°C Relative Humidity: 90% ~ 95% Durations: 96 Hours Durations of recovery: 6 Hours
Load Test	White Noise with weighted Filter 4.47Volts.(RSM) 96 Hrs.
Temperature Cycle Test	Temperature: +55°C → +25°C → -25°C → +25°C Duration: 1Hour 1Hour 1Hour 1Hour Cycle: 3 Cycles
Drop Test	75 CM free falling on 1 concrete floor, 10 times.

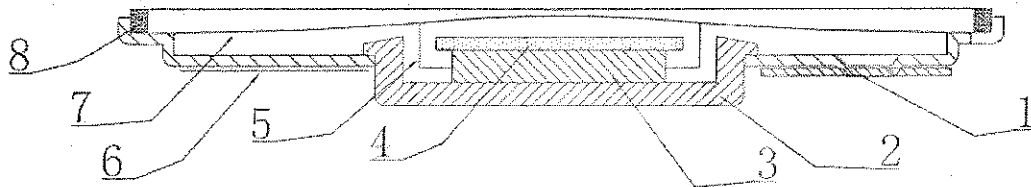
3. Mechanical Layout And Dimensions

3.1 Dimensions

Unit: mm Tolerance: ±0.5



3.2 Construction Diagram

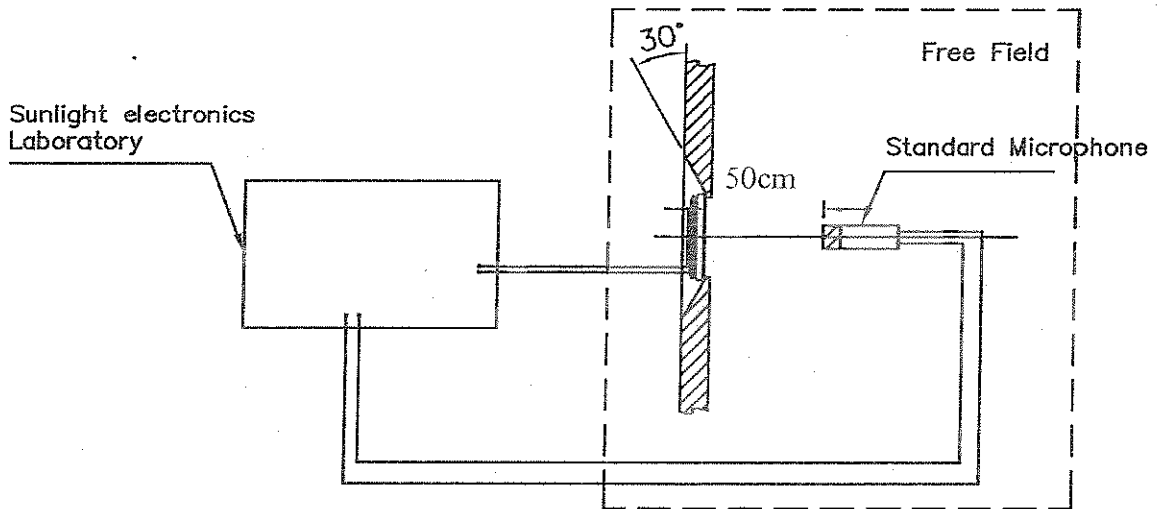


NO	PART NAME	MATERIAL	Q'TY
10			
9			
8	GASKET	ABS	1
7	DIAPHRAGM	MYLAR PET	1
6	CLOTH	CLOTH	1
5	VOICE COIL	DIA 13.4mm	1
4	WASHER	SPCC	1
3	MAGNET	NdFeB	1
2	YOKE	SPCC	1
1	TERMINAL	P.C.B	1
NO	PART NAME	MATERIAL	Q'TY

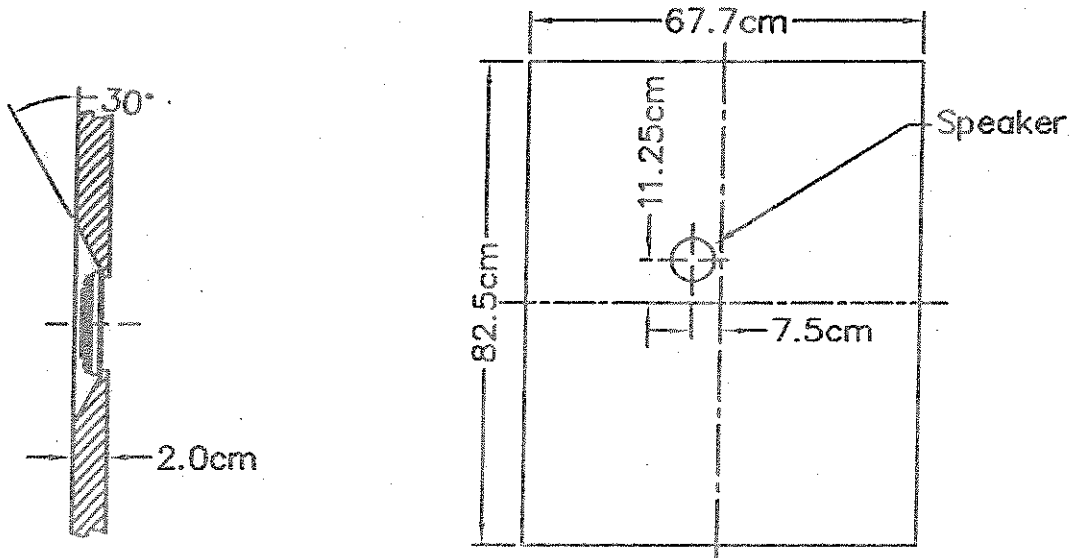
4. Test Method

4.1 Measurement Diagram

Electroacoustic
Testing Adapter



4.2 Standard Baffle



OBO Pro.2

SPECIFICATIONS

MODEL NO
OBO- 36100F-03

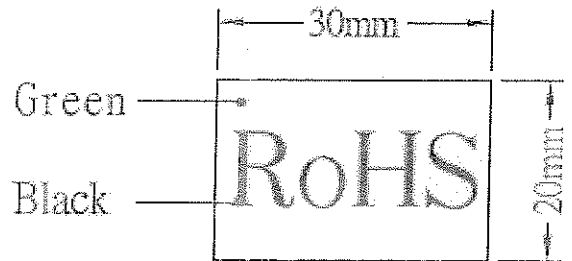
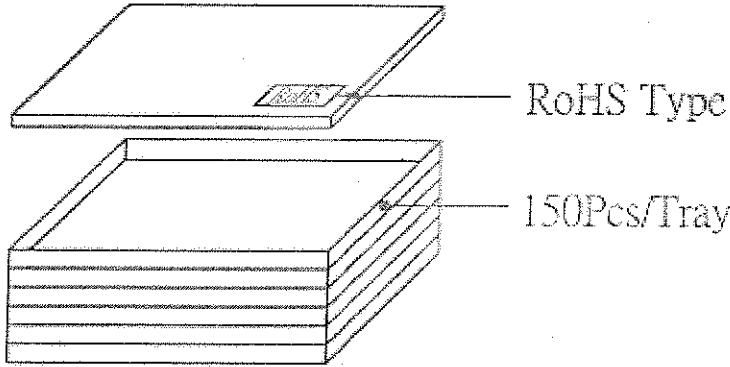
PART NAME
DYNAMIC SPEAKER

SHEET
OBO PRO.2 INC.
5 OF 5

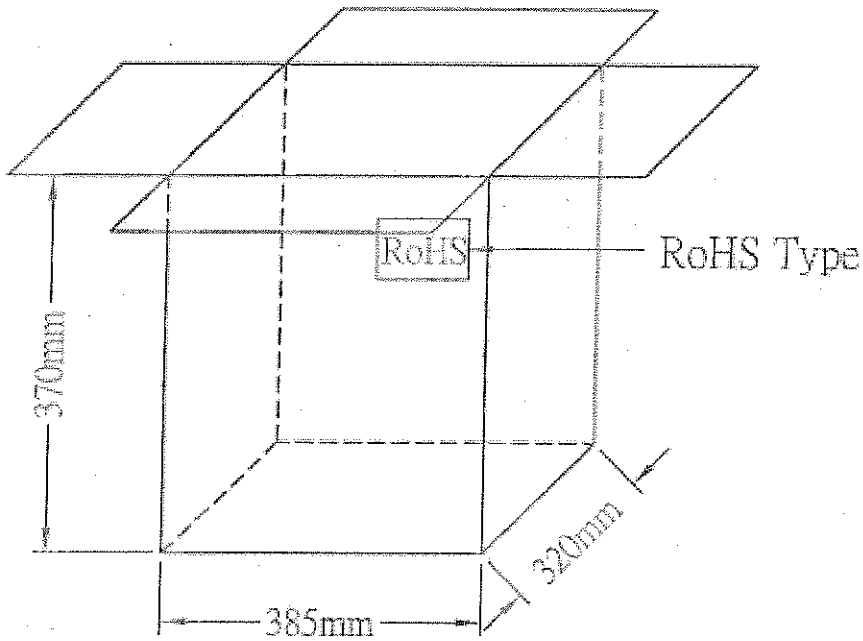
2013 JAN 11

文件发行章

5.Packing



RoHS Type
(30*20)



OBO PRO. 2 INC.

2013 JAN 11

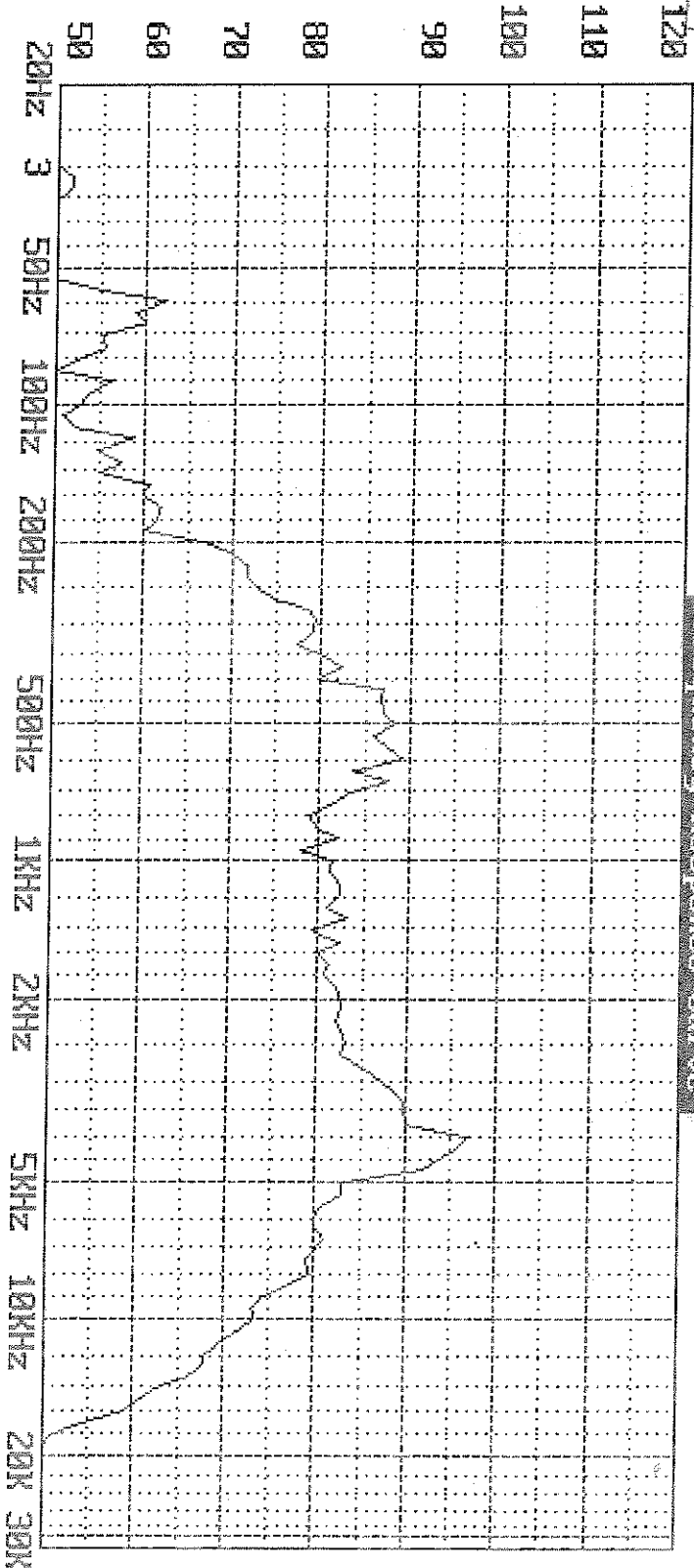
件 行 章

Firm: Model: 070-36100F-03
 1000Hz Sens. = 01.7dB SPL Pass F.R.: Pass DCR: 94.60 Pass DATE: 12-21-2012 TIME: 14:57:15
 Average SPL: 01.3dB SPL Pass (800;1000;1200; 1500Hz) Sweep Speed: 1/12 Oct.

dB SPL

MEASURING RESPONSE CURVE

B 6.18



Voltage applied for F.R. = 4.470V Start F. = 20Hz Stop F. = 20000Hz
 Measuring Distance = 0.50M

Mfg.:

Measured using Sunlight 1600; Fax: 886-2-22230727