



SPECIFICATIONS

MODEL NO
OBO- 40008K-09

PART NAME
DYNAMIC SPEAKER

SHEET

2 OF 5

OBO PRO. ZINC.

2011 FEB 28

文件发行单

MODEL NO : OBO- 40008K-09

Features:Conformity RoHS Directive(2002/95/EC) Requests.

1. General Specifications

Items	Spec.
Magnet	Materials NDFEB Size:Φ11X1.5mm
Weight	Approx 7.5 Grams.
Nominal Impedance	8 Ohm±15% at 1000Hz /1.0V
Power Rating	Normal 1.0W. Maximum 2.0W
Lowest Resond Frequency	550±150Hz
Output Sound Pressure Level (S.P.L)	80±3 dB/1.0W/0.5M Average at 1000,1200,1500,2000Hz.
Frequency Response Range	300~20,000Hz SPL-10dB
Distortion	8% Max at 1000Hz/1.0W
Abnormal Sound Test	Must be Normal Tested by 2.83Volts. Sine Wave.
Polarity	Diaphragm shall move Forward when Apply a Positive DC Current to the "+" or "Marked" Terminal.
Operating Temperature	-20°C TO +70°C
Storage Temperature	-25°C TO +75°C

2. Environmental Test

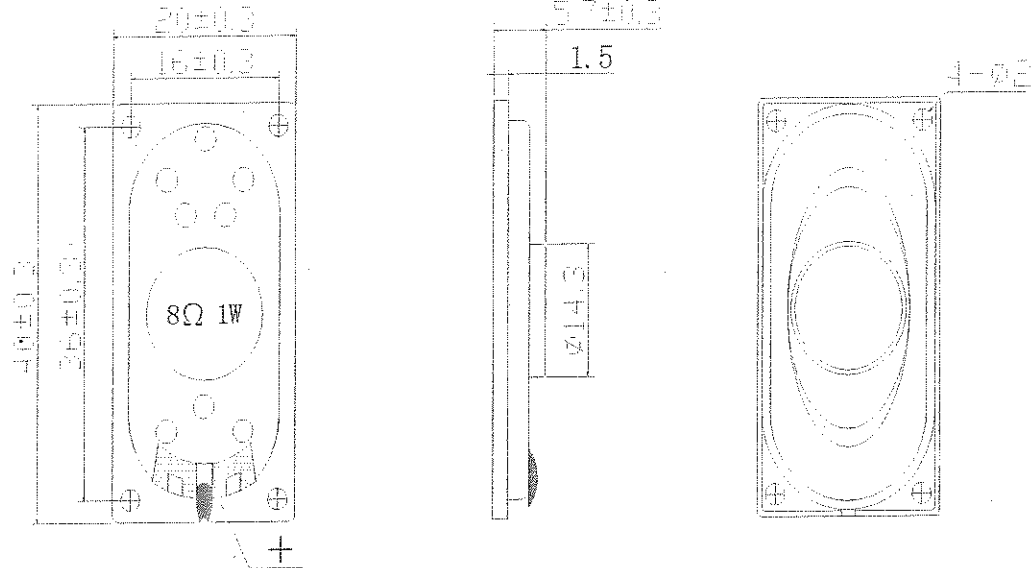
Humidity Test	Temperature:	+40°C±3°C
	Relative Humidity:	90% ~ 95%
	Duration:	96 Hours
	Duration of recovery:	6 Hours
Temperature Cycle Test	Temperature:	+75°C → +25°C → -25°C → +25°C
	Duration:	1Hour 1Hour 1Hour 1Hour
	Cycle:	3 Cycles
Vibration Test	Vibration Direction:	3 axes
	Mounting:	Unit Shall Be Rigidly Restrained On The Table
	Frequency:	1,000 Cycle/Minute
	Amplitude:	1.5m/m
	Endurance:	1 Hour in Each Plane
	Duration of Transfer Time:	Less Than 5Minutes
Load Test	White Noise With Weighted Filter 2.83Volts.(RMS) 48 Hrs. 20~20,000Hz Resonant Frequency.	
Drop Test	75cm Free Falling On 1cm Concrete Floor, with 10 times.	

OBO PRO.2 INC.
2011 FEB 28
文件发行章

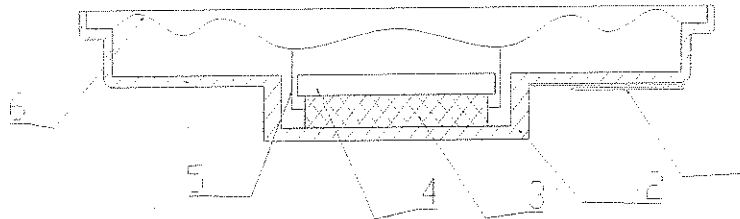
3. Mechanical Layout And Dimensions

3.1 Dimensions

Unit: mm Tolerance:±0.5



3.2 Construction Diagram

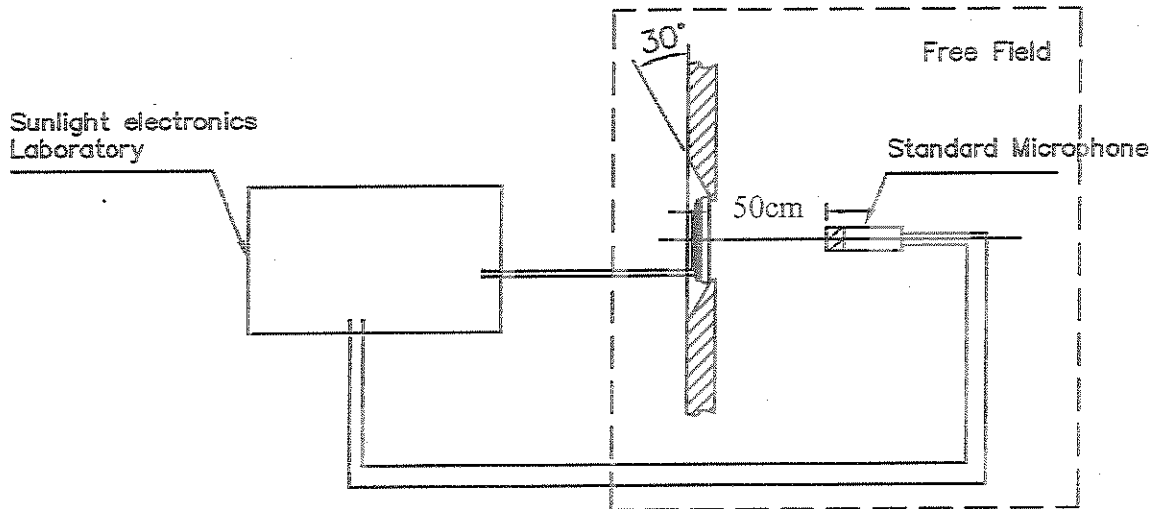


NO	PART NAME	MATERIAL	Q'TY
6	DIAPHRAGM	SILK	1
5	VOICE COIL	DIA 11.75mm	1
4	WASHER	SPCC	1
3	MAGNET	NdFeB	1
2	YOKE	SPCC	1
1	TERMINAL	P.C.B	1
NO	PART NAME	MATERIAL	Q'TY

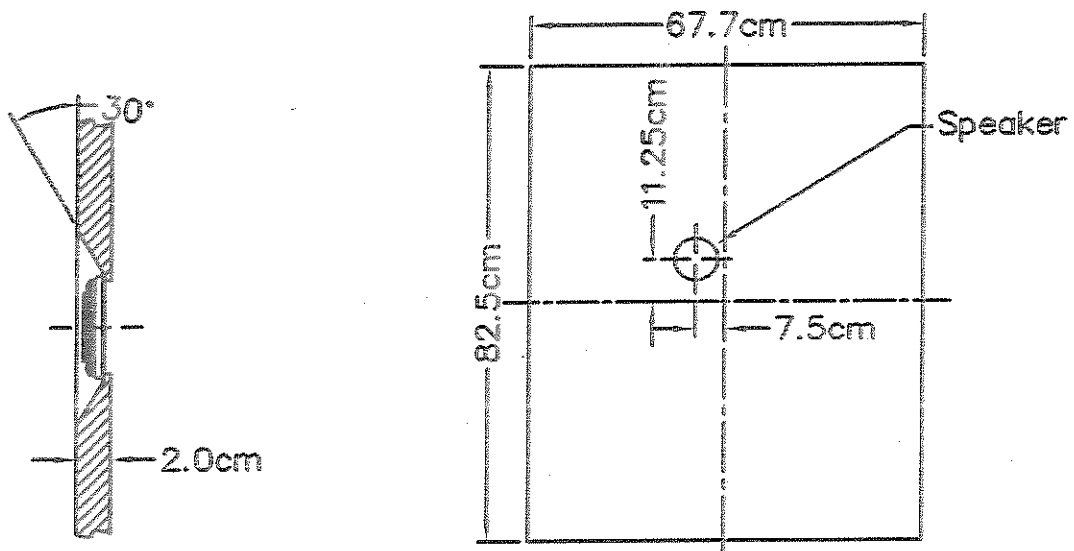
4. Test Method

4.1 Measurement Diagram

Electroacoustic
Testing Adapter



4.2 Standard Baffle



OBO Pro.2

SPECIFICATIONS

MODEL NO
OBO-40008K-09

PART NAME
DYNAMIC SPEAKER

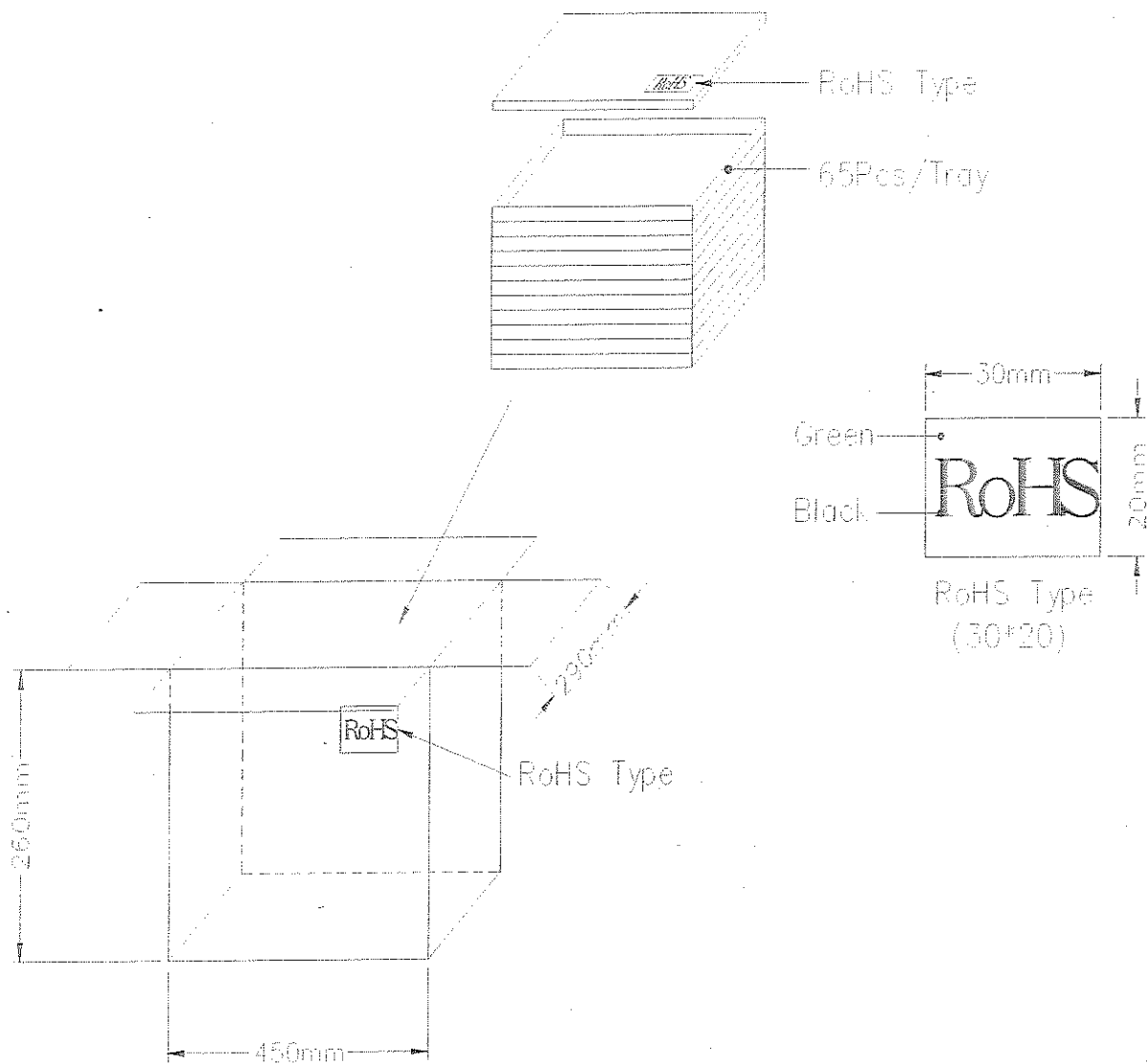
SHEET
5 OF 5

OBO PRO.2 INC

2011 FEB 28

文件发行章

5.Packing



1500Pcs/Carton
20Tray double
(450*290*260mm)



SPECIFICATIONS

MODEL NO
OBO-40008K-09

PART NAME
DYNAMIC SPEAKER

SHEET

OBO 600F.52 INC.

2011 FEB 28

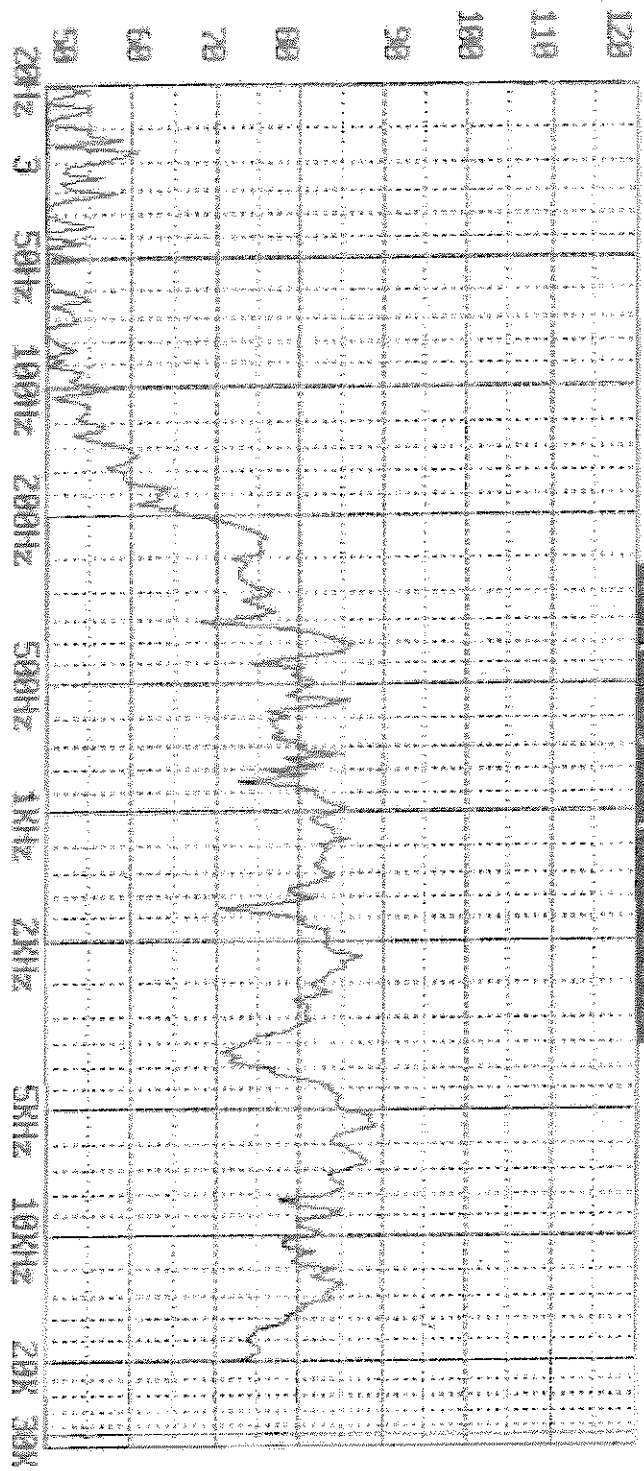
文件发行重

6. Frequency

Hz :

Voltage applied for **100** = 2.030V
Measuring Distance = 0.50M

Measured using Sunlight 1680; Fax: 086-2-22230727



File: Model: DATE: 02-23-2011 TIME: 12:20:53
 100Hz Sens: = 04.6dB SPL Pass F.N.: Pass DCN: 0.700 Pass
 Average SPL: 107.3dB SPL Pass (1000:1200:1500: 2000Hz) Sweep Speed: 1/24 Oct.

D 6.10