



**OBO Pro.2****SPECIFICATIONS**MODEL NO  
OBO-40016F-12PART NAME  
DYNAMIC SPEAKERSHEET  
2 OF 6

MODEL NO : OBO-40016F-12

Features: Conformity RoHS Directive(2002/95/EC) Requests.

OBO PRO.2 INC

2011 MAR 04

文件发行章

## 1. General Specifications

Items	Spec.
Magnet	Materials NDFEB Size: $\Phi 12.5 \times 1.5 \text{mm}$
Weight	Approx 9.8Gram
Nominal Impedance	16 Ohm $\pm 15\%$
Power Rating	Normal 0.5 W. Maximum 1.0
Lowest Resond Frequency	500 $\pm 150\%$ Hz
Output Sound Pressure Level (S.P.L)	86 $\pm 3$ dB/0.5 W/0.5 M (Secundum IEC-268-5 Statute) Average at 1000,1200,1500,2000Hz.
Frequency Response Range	350~8,000 Hz SPL-10dB
Distortion	5% Max at 1000Hz/0.5 W
Abnormal Sound Test	Must be Normal Tested by 2.83 Volts. Sine Wave.
Polarity	Diaphragm shall move Forward when Apply a Positive DC Current to the "+" or "Marked" Terminal.
Operating Temperature	-25°C to +85°C (Ten Minutes At +120°C)
Storage Temperature	-25°C to +85°C

## 2. Environmental Test

Humidity Test	Temperature:	+40°C $\pm 3$ °C
	Relative Humidity:	90% ~ 95%
	Duration:	96 Hours
	Duration of recovery:	6 Hours
Temperature Cycle Test	Temperature:	+85°C $\rightarrow$ +25°C $\rightarrow$ -25°C $\rightarrow$ +25°C
	Duration:	1Hour 1Hour 1Hour 1Hour
	Cycle:	3Cycles
Vibration Test	Vibration Direction:	3 axes
	Mounting:	Unit Shall Be Rigidly Restrained On The Table
	Frequency:	1,000 Cycle/Minute
	Amplitude:	1.5m/m
	Endurance:	1 Hour in Each Plane
	Duration of Transfer Time:	Less Than 5~7 Minutes
Load Test	White Noise With Weighted Filter 2.83 Volts.(RMS) 96 Hrs. 20~20,000Hz Resonant Frequency.	
Drop Test	75cm Free Falling On Counter Floor, with 10 times.	

# OBO Pro.2

## SPECIFICATIONS

MODEL NO  
OBO-40016F-12

PART NAME  
DYNAMIC SPEAKER

SHEET  
3 OF 6

### 3. Mechanical Layout And Dimensions

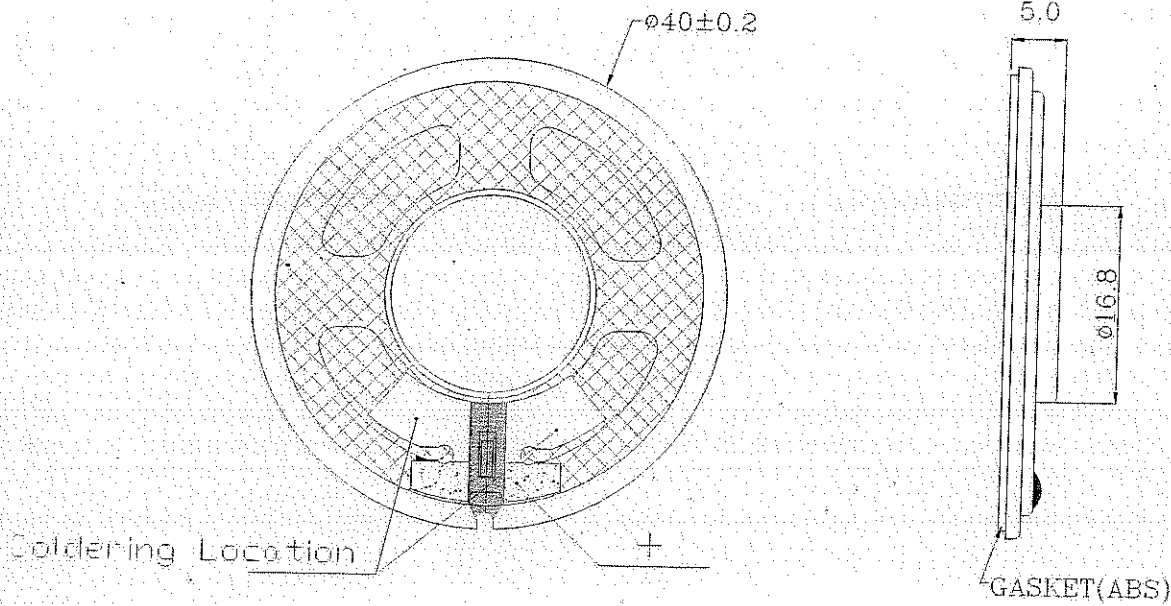
#### 3.1 Dimensions

OBO PRO.2 INC.

2011 MAR 04

文件发行章

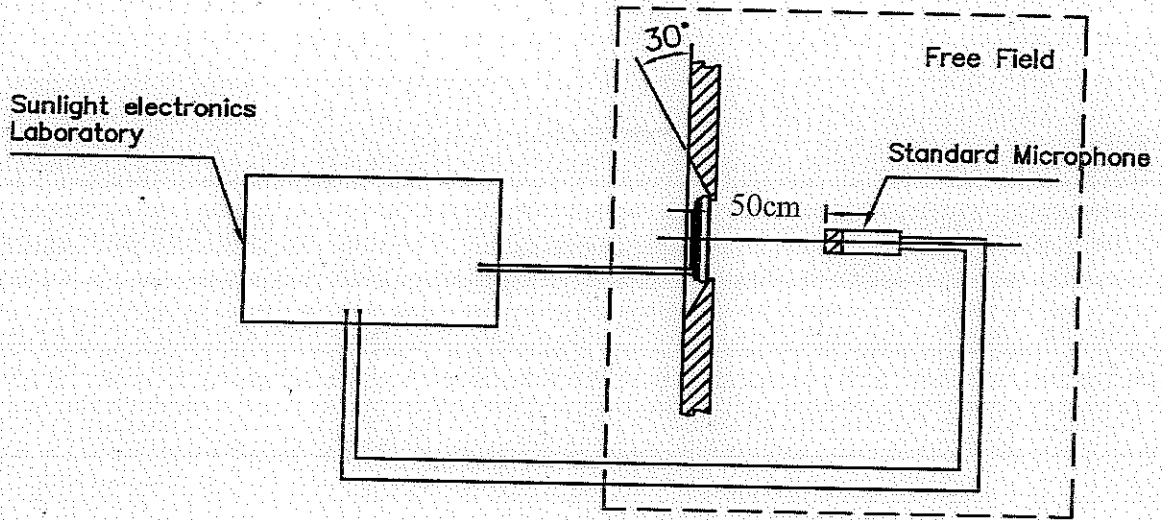
Unit: mm Tolerance:  $\pm 0.3$



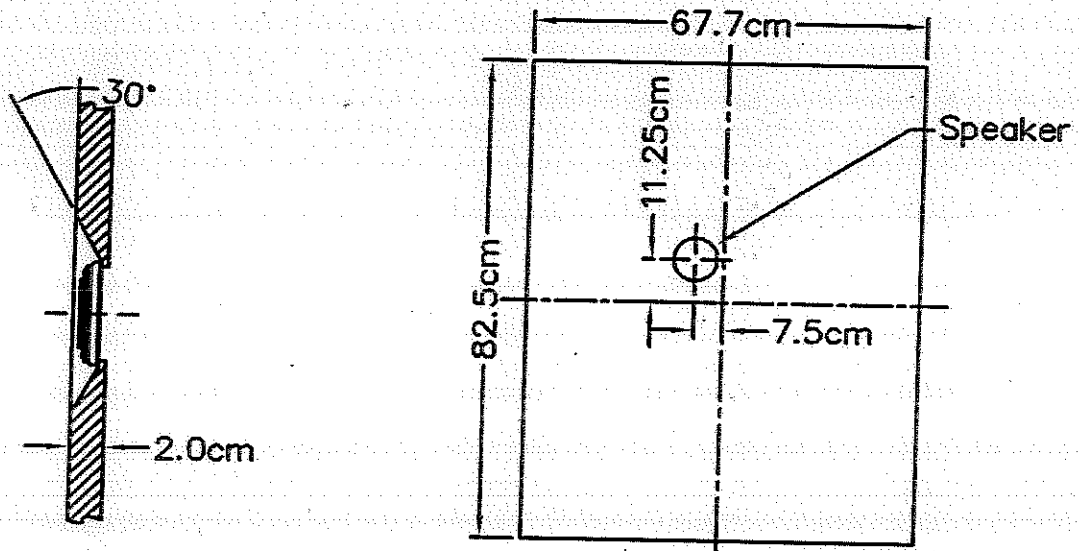
### 4. Test Method

#### 4.1 Measurement Diagram

Electroacoustic  
Testing Adapter



#### 4.2 Standard Baffle



# OBO Pro.2

## SPECIFICATIONS

MODEL NO  
OBO-40016F-12

PART NAME  
DYNAMIC SPEAKER

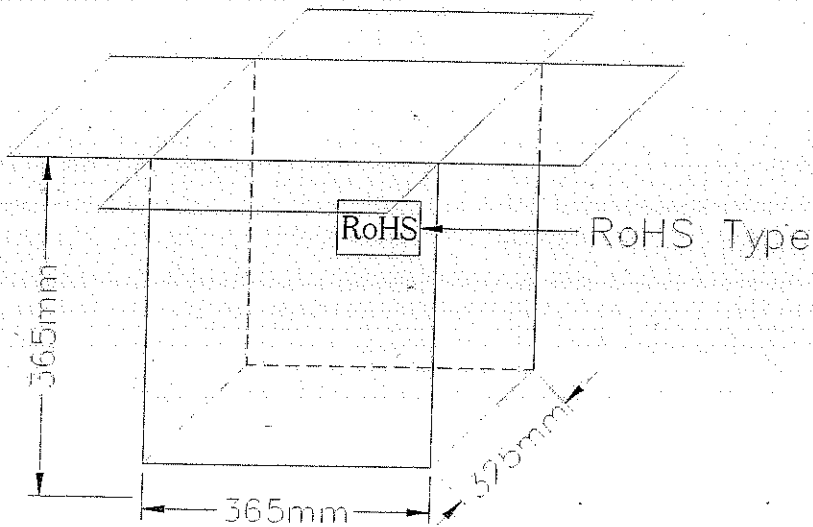
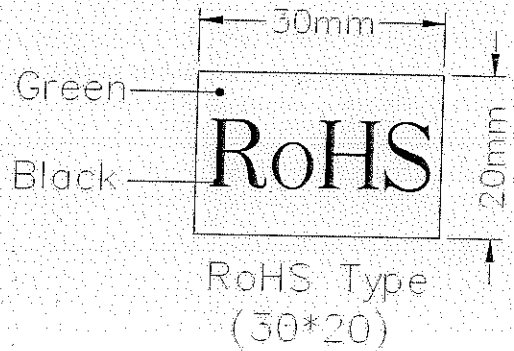
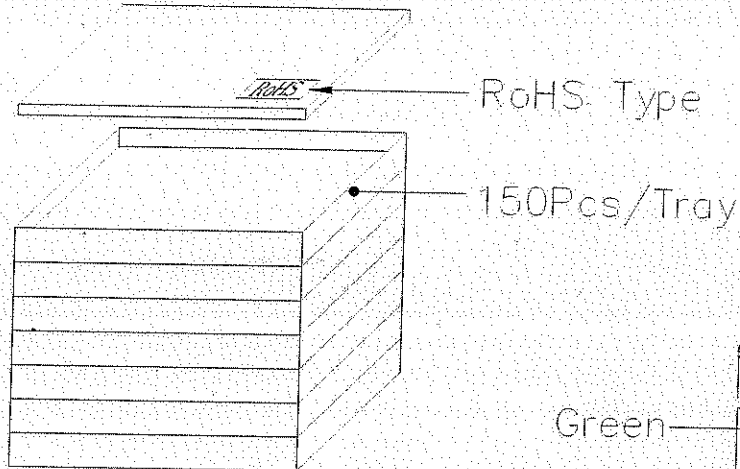
SHEET  
5 OF 6

### 5.Packing

OBO PRO.2 INC.

2011 MAR 04

文件发行章



1050Pcs/Carton  
7Tray(385\*325\*365mm)

# OBO PRO

## SPECIFICATIONS

MODEL NO  
OBO-40016F-12

PART NAME  
DYNAMIC SPEAKER

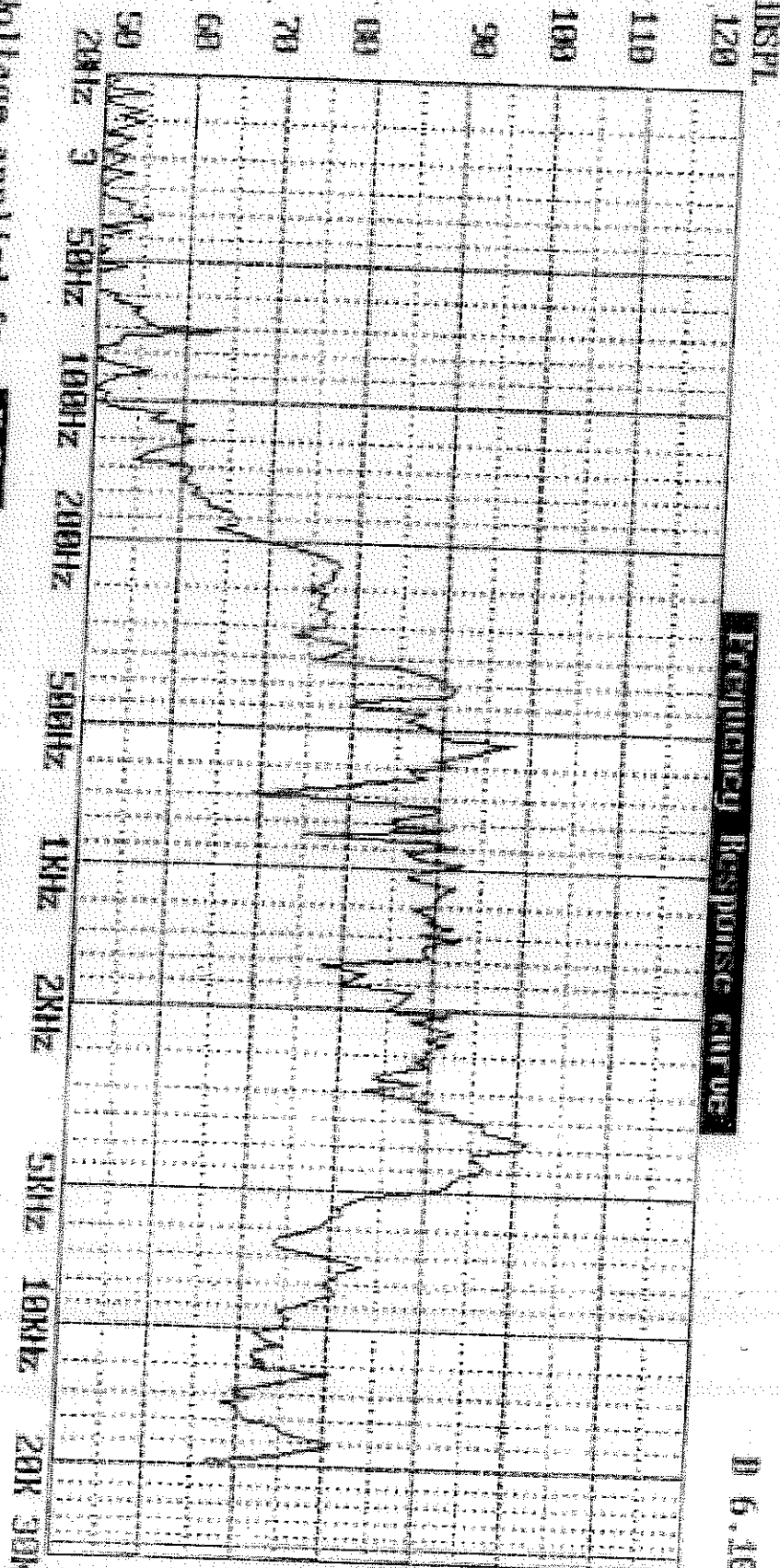
OBO PRO. ZINC  
SHEET 3 OF 6

2011 MAR 04

文件发行章

Firm: **IPRINZ**  
Model: **09 (ADSP) PASS**  
Average SPL: **118 (ADSP) PASS**

F.R.: **PASS**  
D.C.R.: **16.680 PASS**  
DATE: **02-10-2011** TIME: **15:07:17**  
(**1600; 1200; 1500; 2000Hz**) Sweep Speed: **1/24 Oct.**



Voltage applied for **F.F.** = 2.000V  
Measuring Distance = 0.50M

Mfg.:

Start F. = 20Hz

Stop F. = 20000Hz

Measured using Sunlight 1609; Fax: 005-2-22230727

D 6.10