

MODEL NO : OBO-40032F-08**Features:**Conformity RoHS Directive(2002/95/EC) Requests.**1. General Specifications**

Items	Spec.
Magnet	Materials NdFeB Size: ϕ 12.8X1.8 mm.
Weight	Approx 9.5 Grams
Nominal Impedance	32 Ohm \pm 15% At 1000 Hz / 1.0V
Power Rating	Normal 0.5W. Maximum 1.0 W.
Lowest Resonant Frequency	800 \pm 160 Hz.
Output Sound Pressure Level (S.P.L)	87 \pm 3dB /0.5Watt 0.5Meter.
	Average at 1000,1200,1500,2000Hz
Frequency Range	500 ~ 10,000 Hz. Average SPL-10 dB.
Distortion	5% Maximum At 1000 Hz. 0.5W.
Abnormal Sound Test	Must be Normal Tested by 4.0Volts. Sine Wave.
Polarity	Diaphragm shall move Forward when Apply a Positive DC
	Current to the "+" or "Marked" Terminal.
Operating Temperature	-25°C to +80°C (Ten Minutes At +120°C)
Storage Temperature	-25°C to +85°C

2. Environmental Test

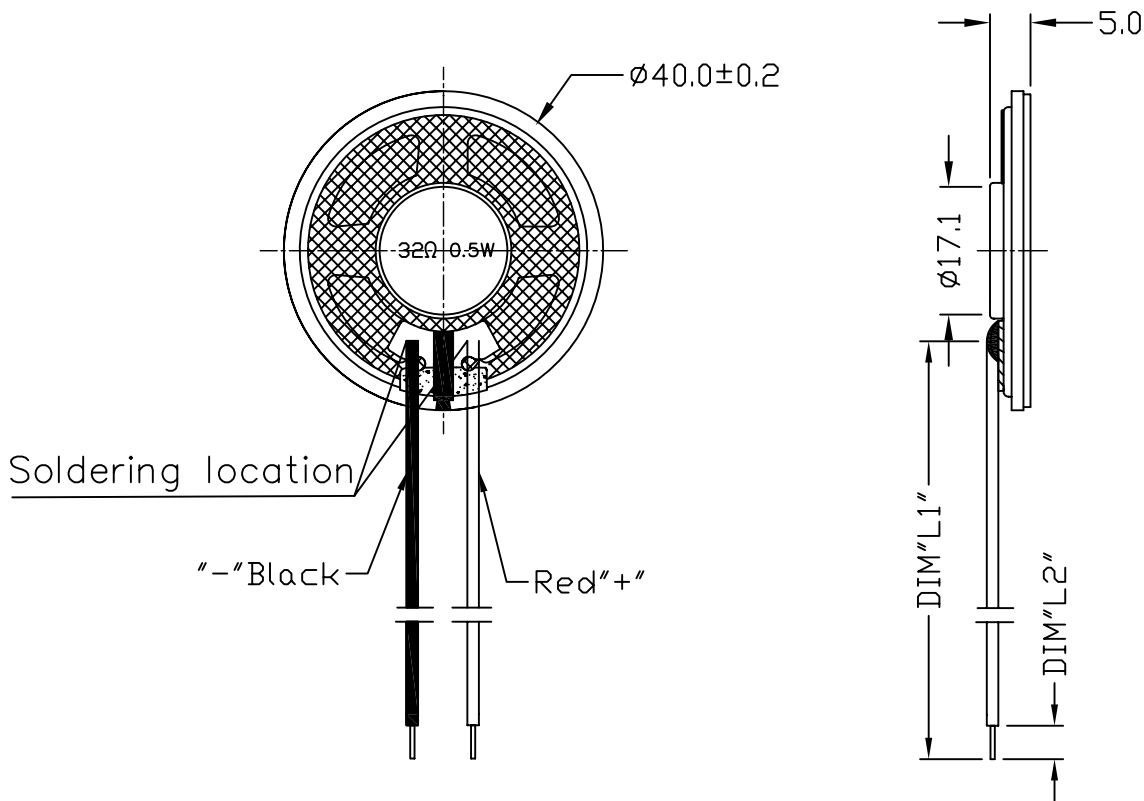
Humidity Test	High Temperature	:	+40°C \pm 3°C
	Relative Humidity	:	90% ~ 95%
	Duration	:	96 Hours
	Duration of recovery	:	6 Hours
Temperature Cycle Test	Temperature	:	+55°C \rightarrow +25°C \rightarrow -25°C \rightarrow +25°C
	Duration	:	1Hour 1Hour 1Hour 1Hour
	Cycle	:	3 Cycles
Vibration Test	Vibration Direction	:	3 axes
	Mounting	:	Unit Shall Be Rigidly Restrained On The Table
	Frequency	:	1,000 Cycle/Minute
	Amplitude	:	1.5m/m
	Endurance	:	1 Hour in Each Plane
	Duration of Transfer Time	:	Less Than 5Minutes
Load Test	White Noise With Weighted Filter 4.0 Volts.(RMS) 100 Hrs. 20~20,000Hz Resonant Frequency.		
Drop Test	75cm Free Falling On Concrete Floor, with 10 times.		

3. Mechanical Layout And Dimensions

3.1 Dimensions

Unit: mm

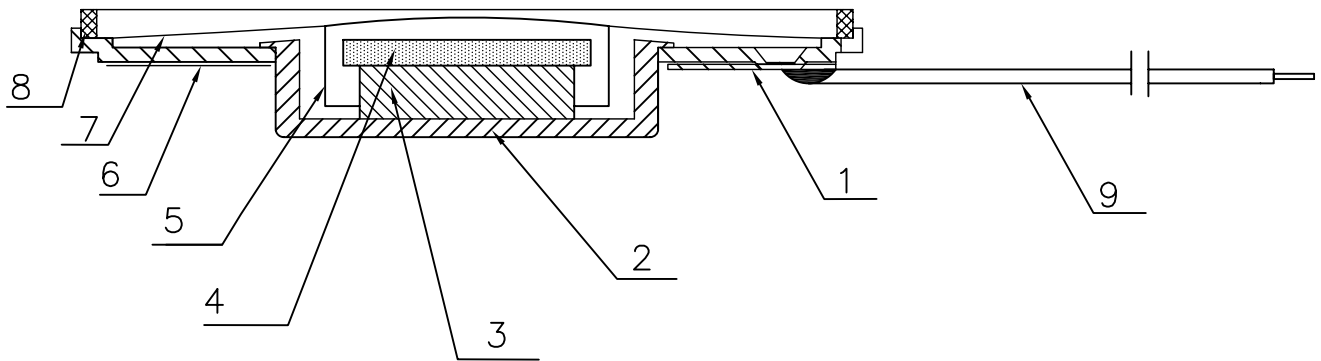
Tolerance: ± 0.3



Customer	Lead Wire	Dim "L1"	Dim "L2"
Standard	UL1571#30	100 \pm 5	3 \pm 1

PCB Soldering Temperature 380° Max For 3 Seconds.

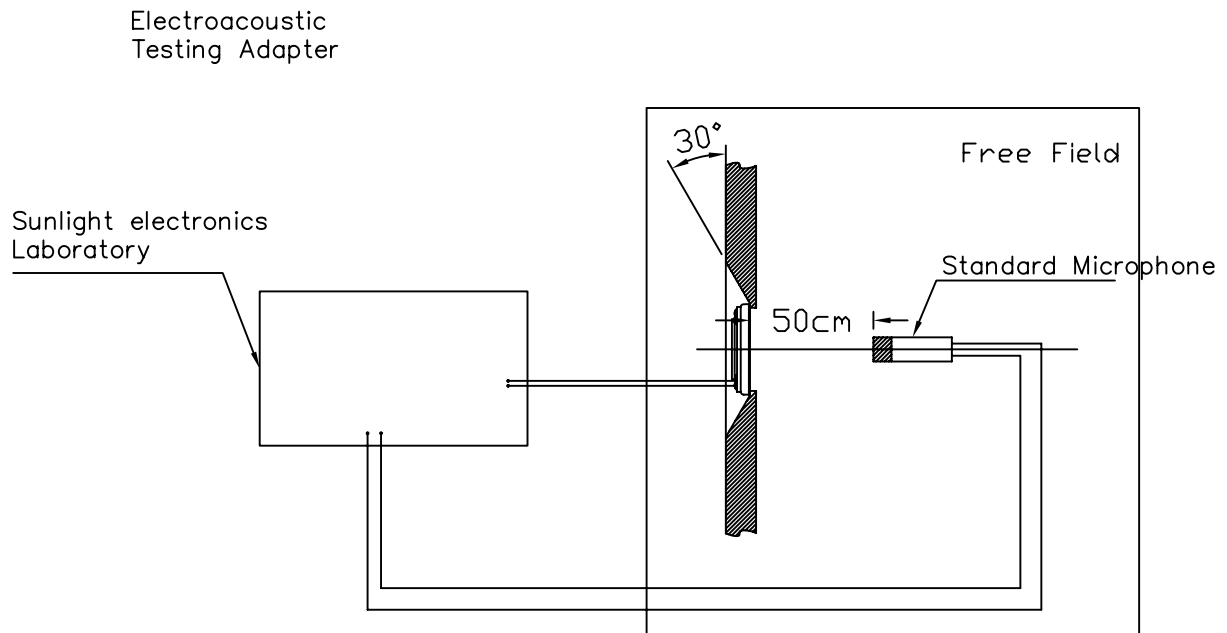
3.2 Construction Diagram



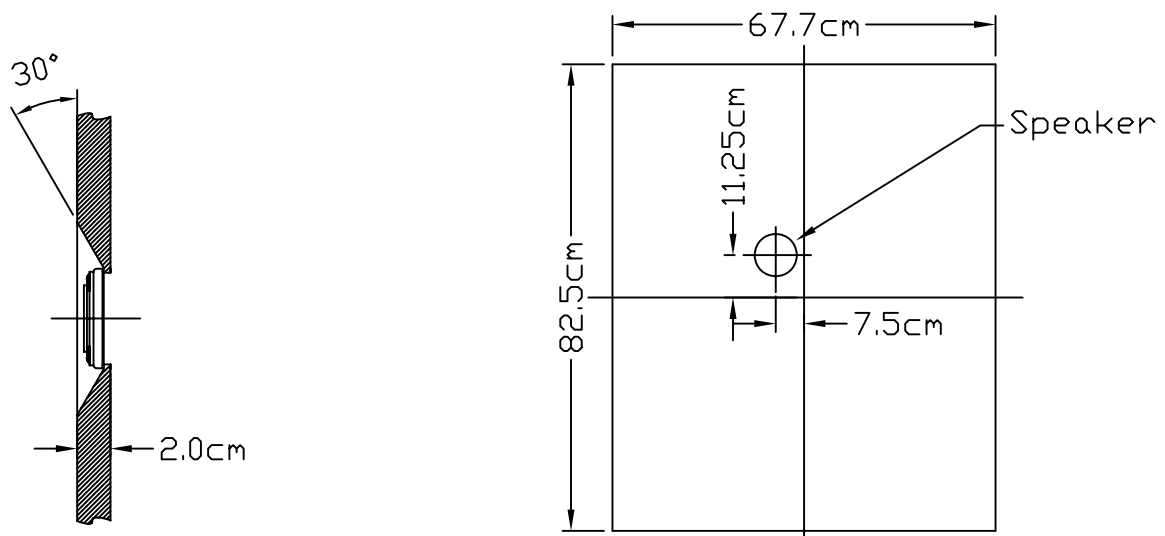
9	CODE	UL1571 30AWG L=100m/m	
8	GASKET	ABS	1
7	DIAPHRAGM	MYLAR(PEI)	1
6	CLOTH	CLOTH	1
5	VOICE COIL	DIA 13.5mm	1
4	WASHER	SPCC	1
3	MAGNET	NdFeB	1
2	YOKE	SPCC	1
1	TERMINAL	P.C.B	1
NO	PART NAME	MATERIAL	Q'TY

4. Test Method

4.1 Measurement Diagram



4.2 Standard Baffle



5. Package

Unit: mm

