

OBO Pro.2**SPECIFICATIONS****MODEL NO.**
OBO-50050F-05**PART NAME**
DYNAMIC SPEAKER**SHEET**
OBO PR.02.0117

2008.11.03

文件发行章

MODEL NO : OBO-50050F-05

Features:Conformity RoHS Directive(2002/95/EC) Requests. ※1

1. General Specifications

Items	Spec.
Magnet	Materials NdFeB
Weight	Approx 12.3 Grams
Nominal Impedance	50 Ohm \pm 15% At 1000 Hz / 1.0V
Power Rating	Normal 0.2W. Maximum 0.5W.
Lowest Resonant Frequency	500 \pm 150Hz.
Output Sound Pressure Level (S.P.L)	97 \pm 3dB 0.2Watt/0.1Meterr(Secundum IEC-268-5 Statutr). Average at 1000,1200,1500,2000Hz.
Frequency Range	FO~10,000 Hz. Average SPL-10 dB.
Distortion	5% Maximum At 1000Hz. 0.2W.
Abnormal Sound Test	Must be Normal Tested by 3.16Volts. Sine Wave.
Polarity	Diaphragm shall move Forward when Apply a Positive DC Current to the "+" or "Marked" Terminal.
Operating Temperature	-20°C to +60°C
Storage Temperature	-20°C to +65°C

2. Environmental Test

Humidity Test	High Temperature	:	+40°C \pm 2°C
	Relative Humidity	:	90% ~ 95%
	Duration	:	96 Hours
	Duration of recovery	:	6 Hours
Heat Test	Temperature	:	+65°C \pm 2°C
	Relative Humidity	:	20% ~ 25%
	Duration	:	96 Hours
	Duration of recovery	:	6 Hours
Cold Test	Temperature	:	-25°C \pm 2°C
	Duration	:	96 Hours
	Duration of recovery	:	6 Hours
Load Test	White Noise With Weighted Filter 3.16Volts.(RMS) 96 Hrs.		

OBO Pro.2

SPECIFICATIONS

MODEL NO.
OBO-50050F-05

PART NAME
DYNAMIC SPEAKER

SHEET
OBO PRO.2 PISC.
3 OF 7

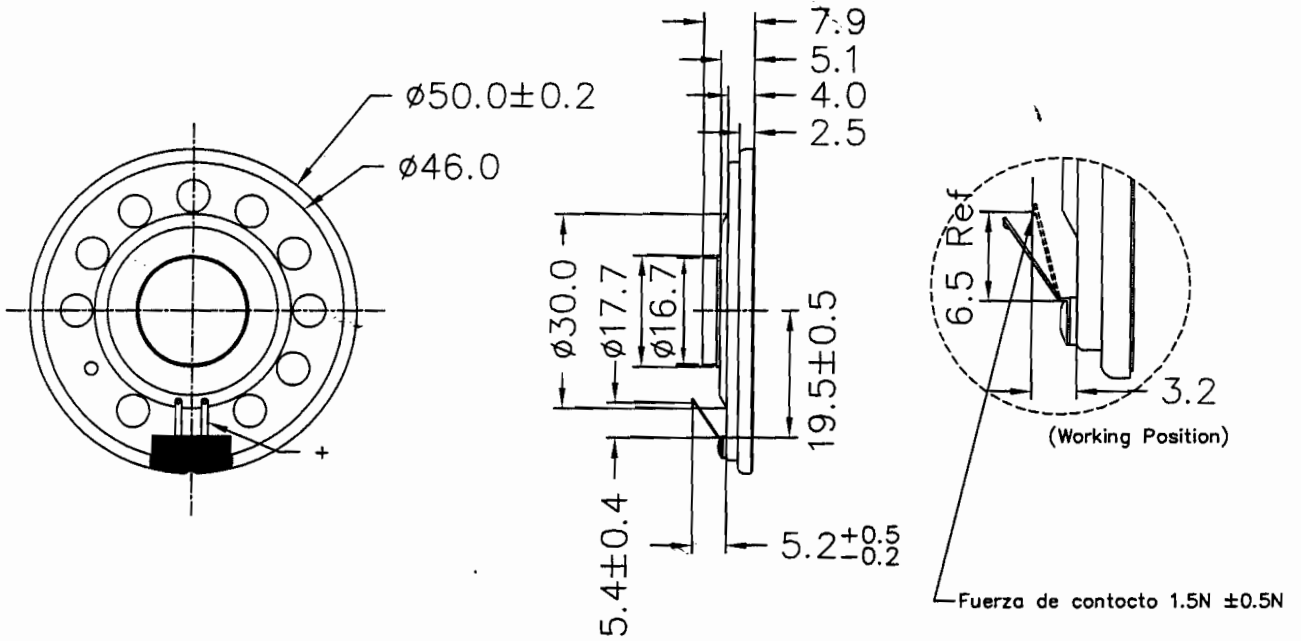
20081107 03

文件发行单

3. Mechanical Layout And Dimensions

3.1 Dimensions

Unit: mm Tolerance: ± 0.3



OBO Pro.2**SPECIFICATIONS****MODEL NO.**
OBO-50050F-05**PART NAME**
DYNAMIC SPEAKER**SHEET**

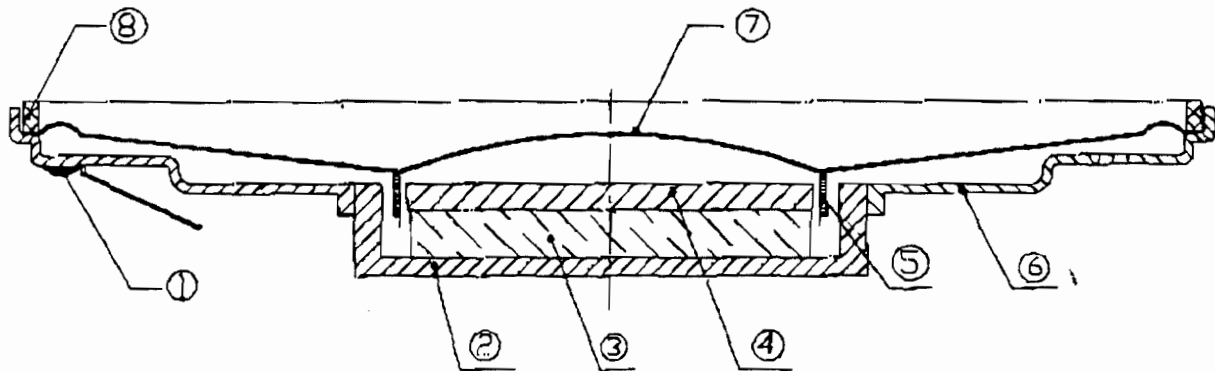
4 OF 7

OBO PRO.21

2008 NOV 03

文件发行章

3.2 Construction Diagram



8	GASKET	PAPER	1
7	DIAPHRAGM	MYLAR	1
6	FERAME	SPCC	1
5	VOICE COIL	DIA 13.4mm	1
4	WASHER	SPCC	1
3	MAGNET	NdFeB	1
2	YOKE	SPCC	1
1	TERMINAL	PIN	1
NO	PART NAME	MATERIAL	Q'TY

OBO Pro.2

SPECIFICATIONS

MODEL NO.
OBO-50050F-05

PART NAME
DYNAMIC SPEAKER

SHEET

OBO ELECTRONICS INC.

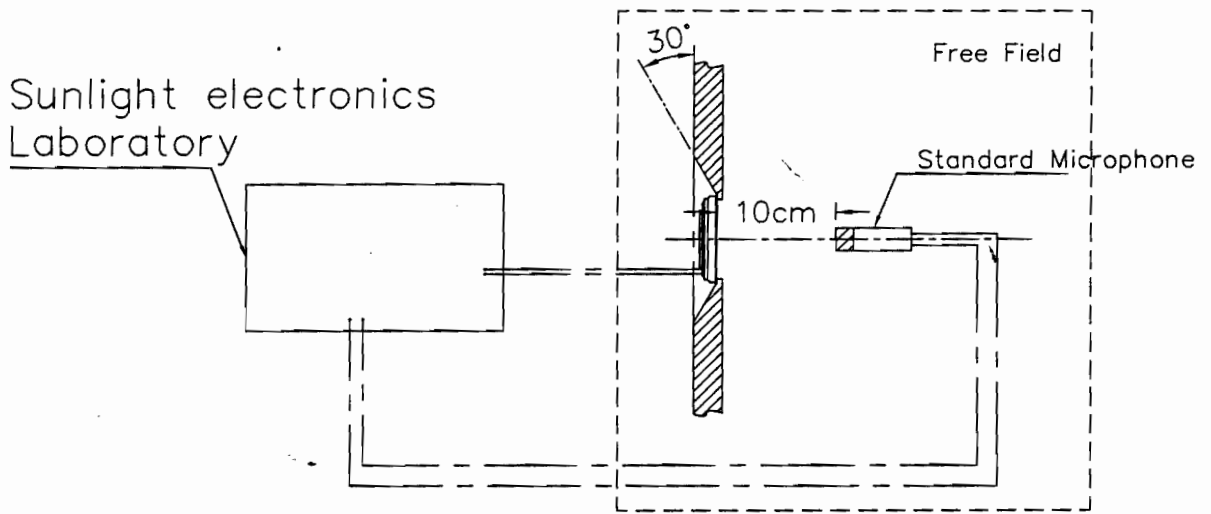
2008 NOV 03

文件发行章

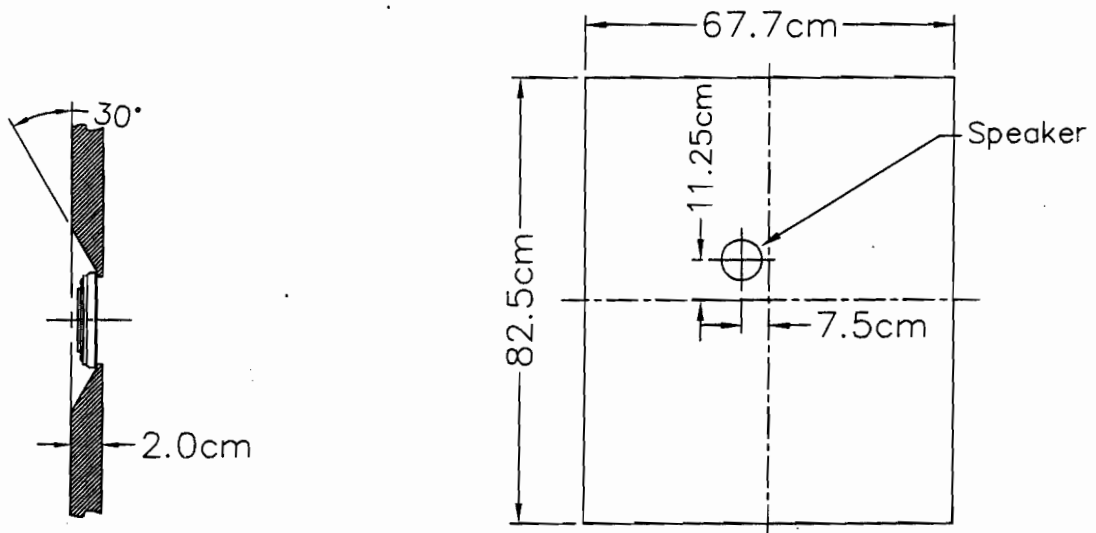
4. Test Method

4.1 Measurement Diagram

Electroacoustic
Testing Adapter



4.2 Standard Baffle



OBO Pro.2

SPECIFICATIONS

MODEL NO.
OBO-50050F-05

PART NAME
DYNAMIC SPEAKER

SHEET
OBO 6/OF 7

2008-NOV-03
文件发行章

※1 5. Package

Unit: mm

