



SPECIFICATIONS

MODEL NO
OBO-50UP3

PART NAME
SMD-Electromagnetic Transducer

SHEET
OBO Pro.2 INC.
2 OF 5

2011 DEC 02

文件发行章

MODEL NO : OBO-50UP3

Features: Drive Circuit Built-In type

Conformity RoHS Directive(2002/95/EC) Requests.

1. General Specifications:

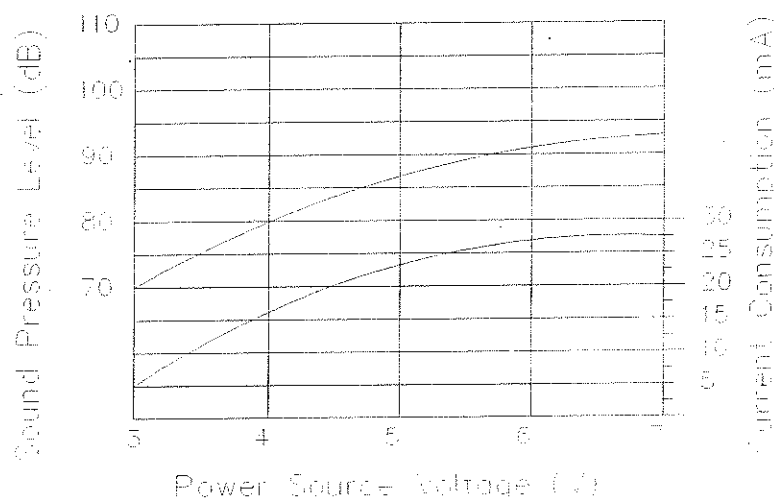
Items	Spec.
Sound Pressure Level	82 dB min./10cm/DC 5V
Rated Voltage	DC 5V
Resonant Frequency	2700±300 Hz
Rated Current	30mA max./DC 5V
Operating Voltage	DC 4 to 7V
Housing Material	PPS(Black)
Pin Material	Plated Brass(Au)
Operating Temp. Range	-20°C to +70°C
Storage Temp. Range	-30°C to +85°C
Weight	1.5gms
Voltage vs Sound Pressure vs Current Consumption Curve	As Per Fig.1

Value applying rated voltage.(DC)

Fig.1:

Measurement distance :10cm. / Current consumption by GDM-8145

Sound level meter by IEC651 TYPE2 / DC power supply by GPC-3030D



2. Standard Test Condition:

2.1 Standard State

Ordinary Temperature	15°C to 35°C
Ordinary Humidity	60% to 70%R.H.
Ordinary air pressure	860 to 1060hPa

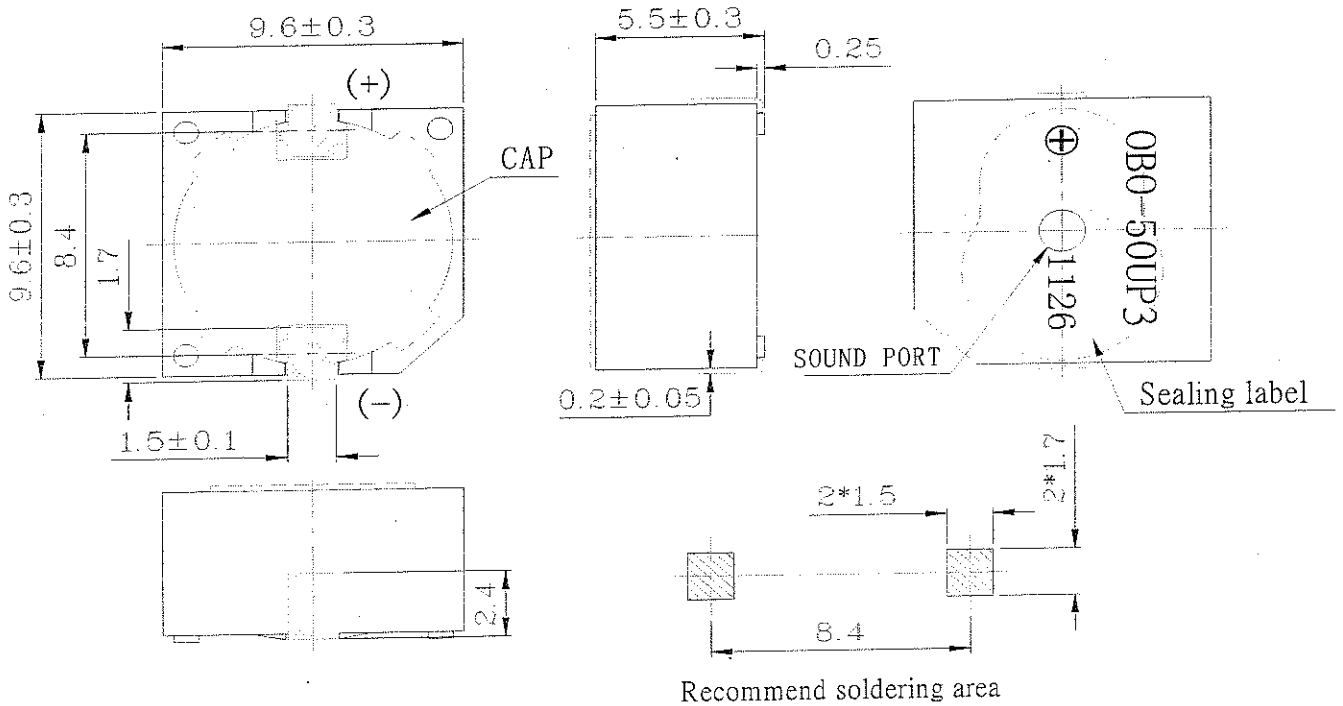
2.2 Basic State

Temperature	20±2°C
Humidity	60% to 70%R.H.
Ordinary air pressure	860 to 1060hPa

3. Mechanical Layout and Dimensions:

3.1 Dimensions

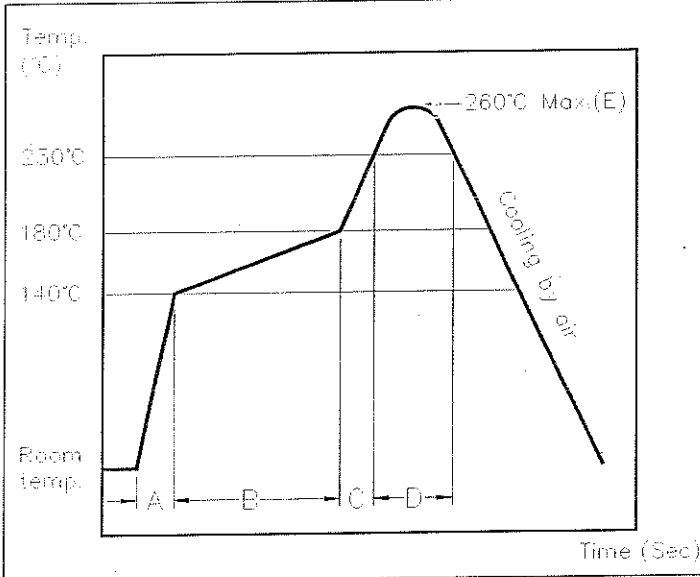
Tolerance: ±0.3mm Unit: mm



4. Soldering Condition:

4.1 Reflow Soldering

Recommendable reflow soldering condition is as follows.



NO.	Items	Condition	Unit
A	Temp.rise gradient	1~4	°C
B	Heating time	50~150	sec
	Heating temperature	140~180	°C
C	Temp.rise gradient	1~4	°C/sec
D	Time over 230°C	48 Max.	sec
E	Peak temperature	260°C Max	°C
	Peak-temp.hold time	Momentary	sec
Soldering		2	times

Note :

It is requested that second reflow soldering should be executed after heat of product goes down to normal temperature.

4.2 Hand Soldering

Soldering iron temperature 380°C less than 3 second.

OBO Pro.2

SPECIFICATIONS

MODEL NO
OBO-50UP3

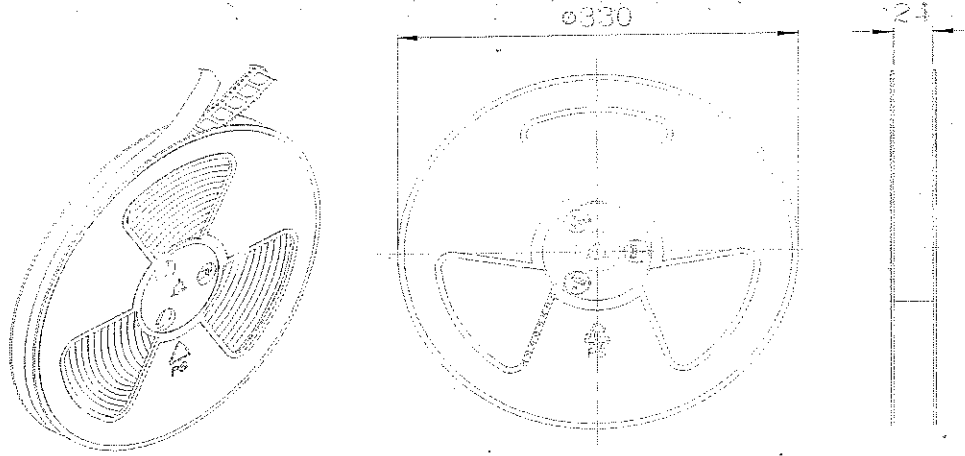
PART NAME
SMD-Electromagnetic Transducer

SHEET
OBO Pro.2 INC.
5 OF 5

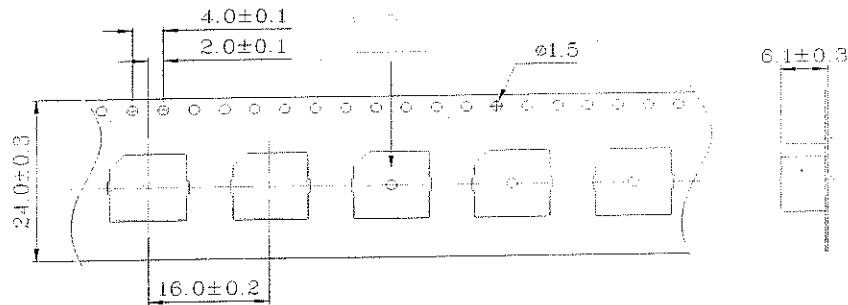
20110802

文件发行章

5.Packing.

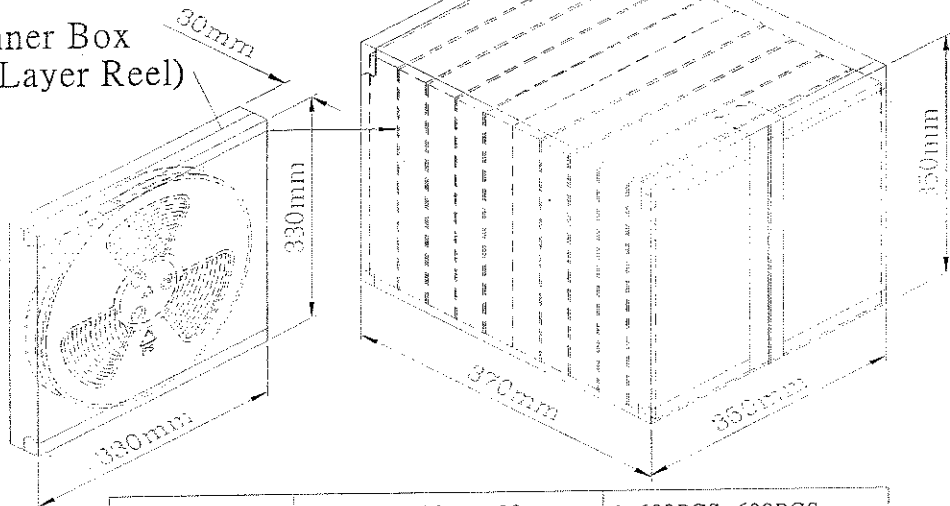


1 Reel : 600PCS



Carton Box
(10 Inner Box)

Inner Box
(1 Layer Reel)



Inner Box	330mm x 330mm x 30mm	1x600PCS=600PCS
Carton Box	350mm x 350mm x 370mm	10x600PCS=6,000PCS