

OBO PRO.2 INC.

啓弘股份有限公司

No. 18, Yanwu Rd., Taoyuan City, Taiwan 330, R.O.C.
 TEL: 886-3-346-8636 FAX: 886-3-346-8645~6
 E-MAIL: obo@obopro2.com Website: www.obo.com.tw

Specification for Approval

NO.:

Part Name : PIEZOELECTRI DIAPHRAGM
 Model No. : OBO-TE15260-16
 Date : APR.15,2003

Page	Cover Page	1	2	3	4	5	6	7	8	9	10	11	12
Version	D	D	D										

CHANGES

No.	Date	ECN. No.	Version	Description	Sign
1	APR.15'03	0304008	D	Increase by Packing	Andrea

Please kindly make approval of our samples, And return this form by fax or airmail, Thanks for your kind attention and co-operation.

。(請對我們公司樣品給予承認,承認後加蓋承認章以傳真或郵寄方式回覆,謝謝貴公司的支持與合作)

Customer Name : _____

Customer Part No. : _____

Designed By	Checked By	Approval By

SPECIFICATION

1. SCOPE

This specification is applied to the piezoelectric diaphragm.

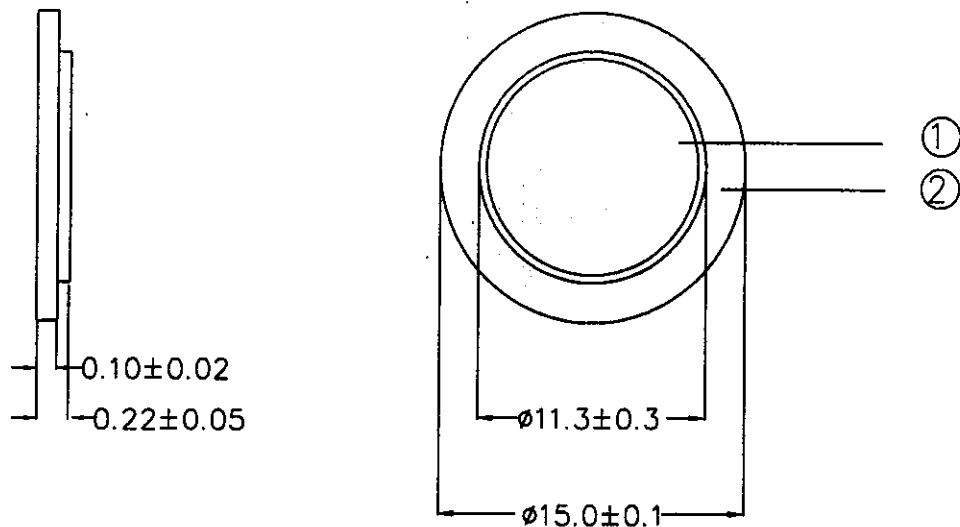
2. MODEL NO. : OBO-TE15260-16


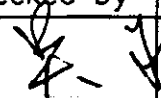
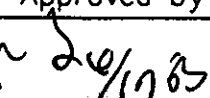
3. SPECIFICATION(at 25°)

- 3.1 Resonant Frequency : $6.0 \pm 0.6\text{KHz}$
- 3.2 Resonant Resistance : 500 OHM max.
- 3.3 Capacitance : $14,000\text{pF} \pm 30\%$ at 120Hz
- 3.4 Input Voltage : 30Vp-p max
- 3.5 Operating Temperature : -20°C to $+60^{\circ}\text{C}$
- 3.6 Storage Temperature : -20°C to $+70^{\circ}\text{C}$
- 3.7 Dimension : as per Figure 1.

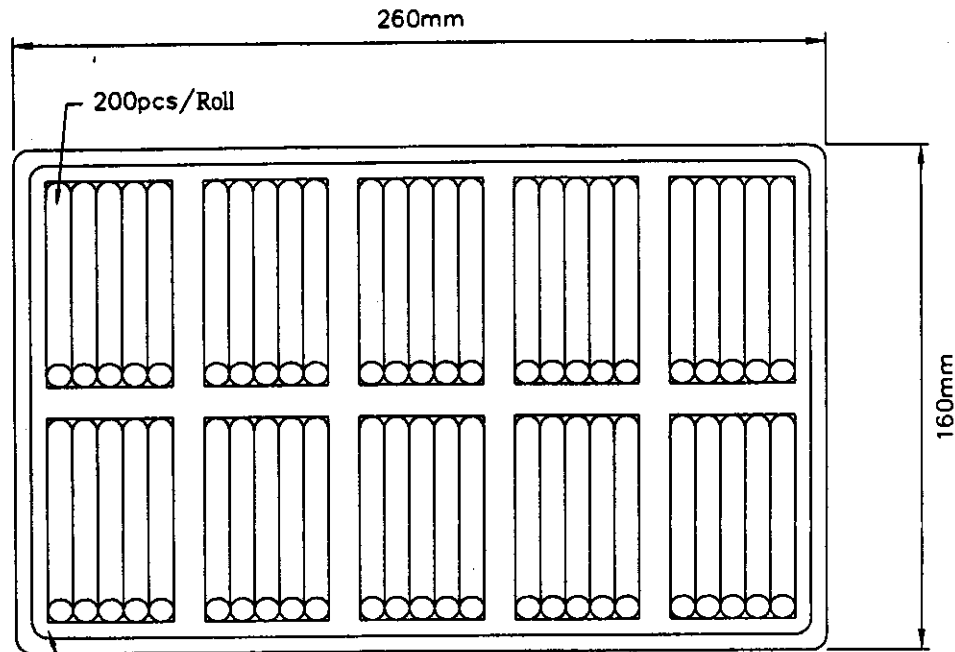
- ① Piezoelectric Ceramics
- ② Brass Plate

Figure 1. Unit : m.m



Drawing by	Checked by	Approved by	Page No.	Model No.	Version	Date
 Andrea 04.15'03			1	TE15260-16	D	APR.15,2003

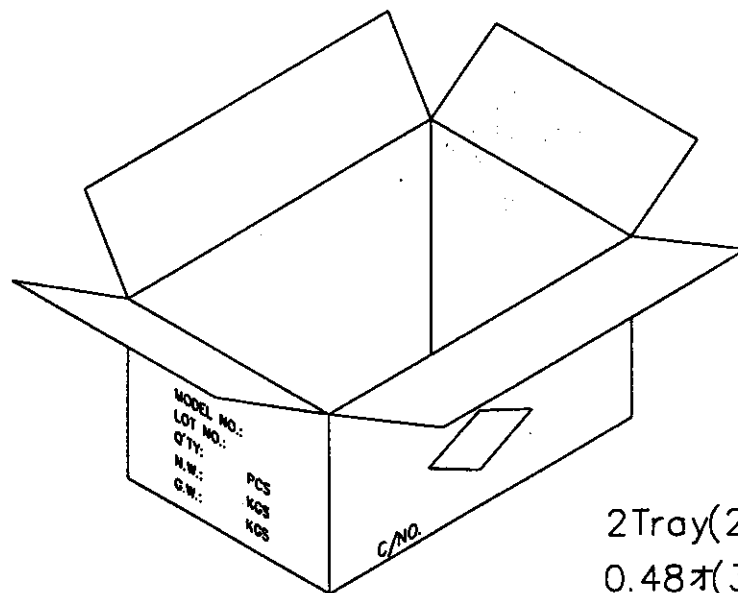
Packing




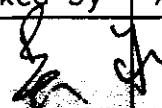
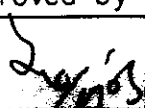
The Q'TY of Each Tray: $200\text{pcs} \times 5 \times 10 = 10,000\text{pcs}$ (1 Tray)
 206mm X 160mm X 60mm

Note:

1. Filling Rest Space With Styrotoam



2Tray(20Kpcs)/ Carton
 0.48 (352*233*336mm)

Drawing by	Checked by	Approved by	Page No.	Model No.	Version	Date
 Andreo 04.15'03			2	TE15260-16	D	APR.15,2003