

# OBO PRO.2 INC.

文件發行章

No. 224-9, LANE 105, YUNG-FENG ROAD, PA-TE CITY, TAOYUAN, TAIWAN, R.O.C.  
TEL:886-3-361-4436 FAX:886-3-361-4437  
E-MAIL:obo@obo.com.tw Website:www.obo.com.tw

## SPECIFICATION

### 1. SCOPE

This specification is applied to the piezoelectric diaphragm.

2. MODEL NO. : OBO-TE21334-16

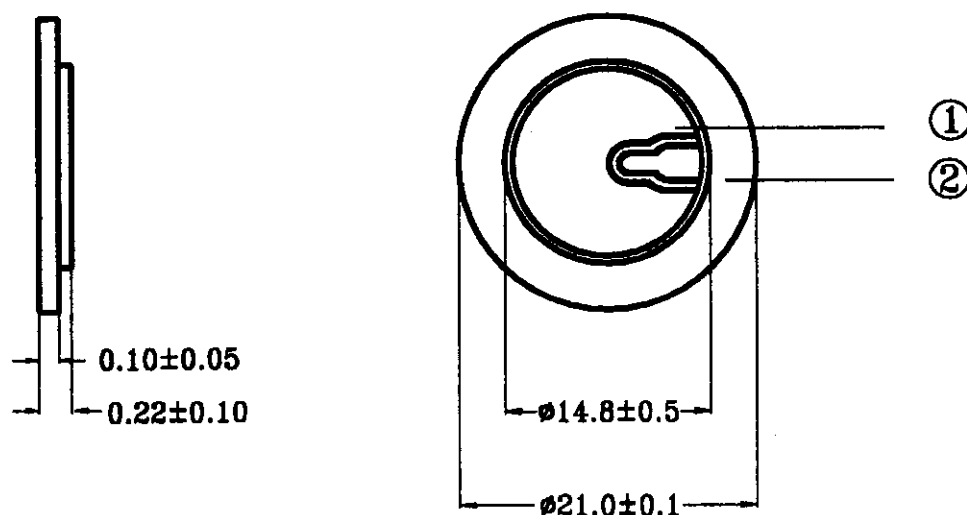
### 3. SPECIFICATION(at 25 °c)

- 3.1 Resonant Frequency : 3.4 ± 0.5 KHz
- 3.2 Resonant Resistance : 500 OHM max.
- 3.3 Capacitance : 18,000pF ± 30% at 120Hz
- 3.4 Input Voltage : 30Vp-p max
- 3.5 Operating Temperature : -20°C to +60°C
- 3.6 Storage Temperature : -20°C to +70°C
- 3.7 Dimension : as per Figure 1.

① Piezoelectric Ceramics

② Brass Plate

Figure 1. Unit :m.m



Drawing by	Checked by	Approved by	DWG. NO.
林仲祥 5/14	啓弘 88.5.14 馮仁男	啓弘 88.5.14 馮仁男	STE100-C