

1. SCOPE

This specification is applied to the Piezoelectric diaphragm.

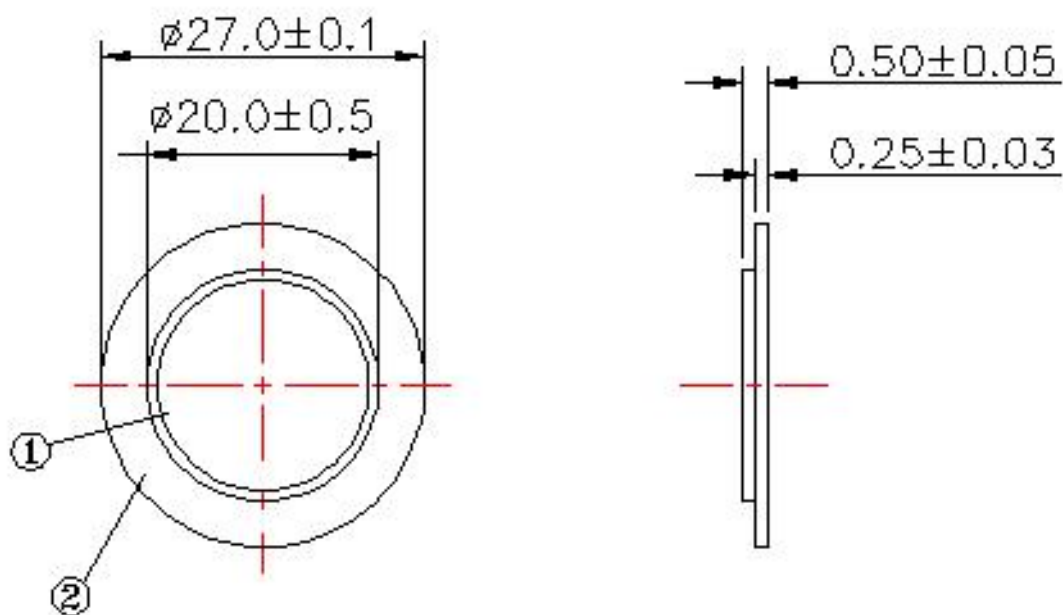
Features:Conformity RoHS Directive(2011/65/EU) Requests.

2. MODEL NO : OBO-TE27244-16**3. SPECIFICATION(at 25 °C)**

- 3.1 Resonant Frequency : 4.4 ± 0.5 KHz
- 3.2 Resonant Resistance : 500Ω max
- 3.3 Electrostatic Capacitance : $18,000\text{pF} \pm 30\%$ at 100Hz
- 3.4 Input Voltage : 30Vp-p max.
- 3.5 Operating Temperature : -20°C to $+60^{\circ}\text{C}$
- 3.6 Storage Temperature : -20°C to $+70^{\circ}\text{C}$
- 3.7 Dimension : as per Figure 1.

- ① Piezoelectric Ceramics
- ② Brass Plate

Figure 1. Unit :mm



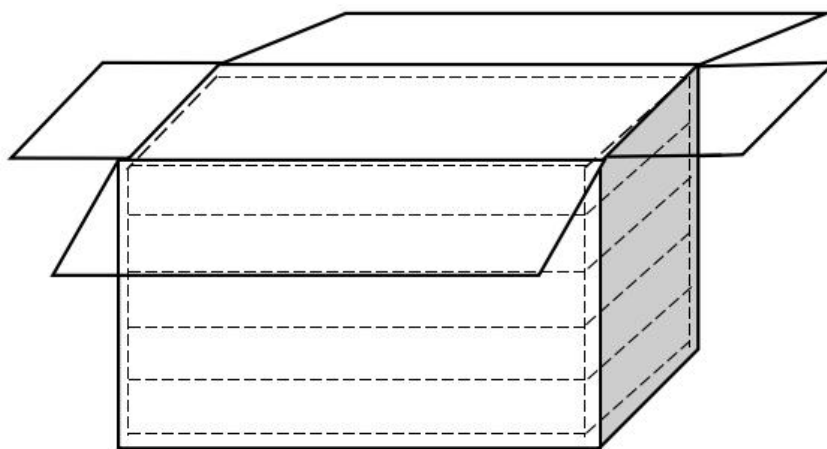
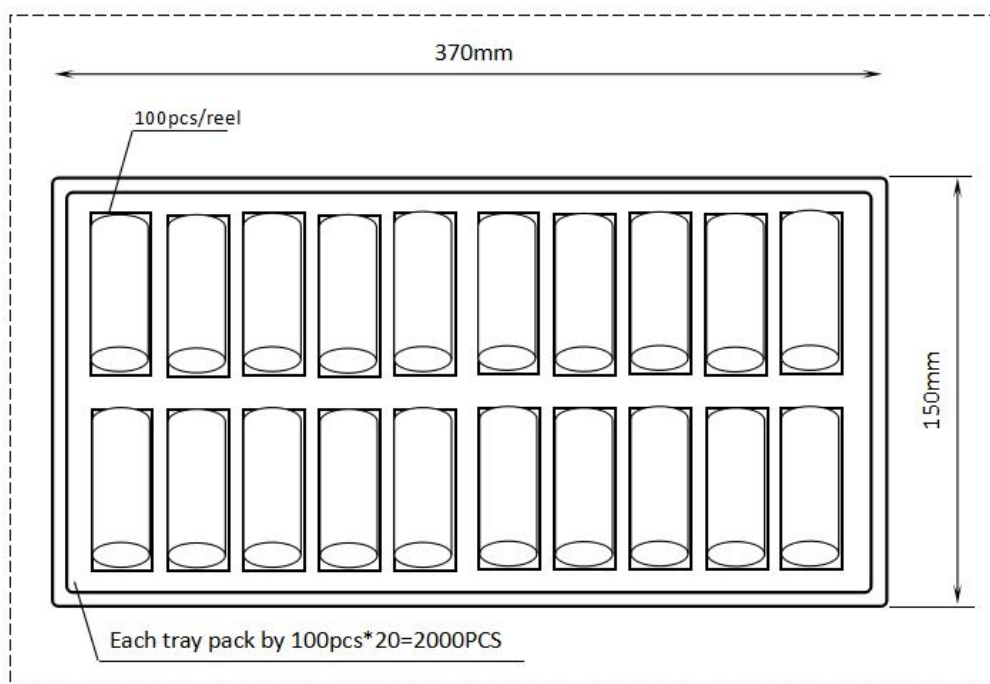
4. Environment-related substances to be controlled

© Piezoelectric Ceramic Disc.

RoHs Annex:

Application of lead, mercury, cadmium and hexavalent chromium,
which are exempted from the requirement of article 4(1).

* Lead in electronic ceramic parts.(e.g. piezoelectronic devices).

5. Packing

Carton: 380mm*160mm*230mm

5tray/carton=100*20*5=10000pcs