

OBO Pro.2	SPECIFICATIONS	MODEL NO. OBO-TE50209-16
	PART NAME Piezoelectric Diaphragm	SHEET 1 OF 2

ALTERNATION HISTORY

Marking	Date	ECN NO.	REV.	Description	Page	PREPARE BY	APPROVE BY
--	DEC,28'05	----	A	New Document	2	LULU	蕭可致
※1	JUN,01'06	0606001	B	Identifying electrode of piezo element.	2	Eileen	蕭可致 4/20 02

REV.	DATE	PREPARED BY	CHECKED BY	APPROVED BY
B	JUN,01,2006	Eileen	馮仁如	蕭可致 4/20 02

OBO Pro.2	SPECIFICATIONS	MODEL NO. OBO-TE50209-16
	PART NAME Piezoelectric Diaphragm	SHEET 2 OF 2

1. SCOPE

This specification is applied to the piezoelectric diaphragm.

Features : Conformity RoHS Directive (2002/95/EC) Requests.

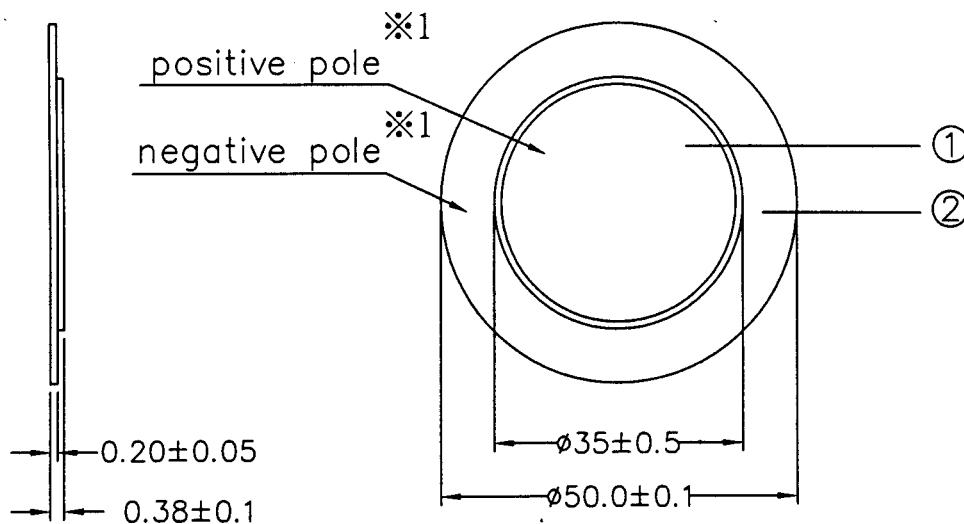
2. MODEL NO : OBO-TE50209-16

3. SPECIFICATION(at 25 °C)

- 3.1 Resonant Frequency : 0.9 ± 0.4 KHz
- 3.2 Resonant Resistance : 800Ω max
- 3.3 Capacitance : $90,000\text{pF} \pm 30\%$ at 120Hz
- 3.4 Input Voltage : 30Vp-p max.
- 3.5 Operating Temperature : -20°C to $+60^{\circ}\text{C}$
- 3.6 Storage Temperature : -20°C to $+70^{\circ}\text{C}$
- 3.7 Dimension : as per Figure 1.

- ① Piezoelectric Ceramics
- ② Brass Plate

Figure 1. Unit : mm



4. Environment-related substances to be controlled.

◎ Piezoelectric Ceramic Disc.

RoHS Annex :

Application of lead, mercury, cadmium and hexavalent chromium, which are exempted from the requirement of article 4(1).

* Lead in electronic ceramic parts.(e.g. piezoelectronic devices).