

1. SCOPE

This specification is applied to the piezoelectric diaphragm soldering with lead wire.

Features: Conformity RoHS Directive(2002/95/EC) Requests.

2. MODEL NO : OBO-TW18236-16

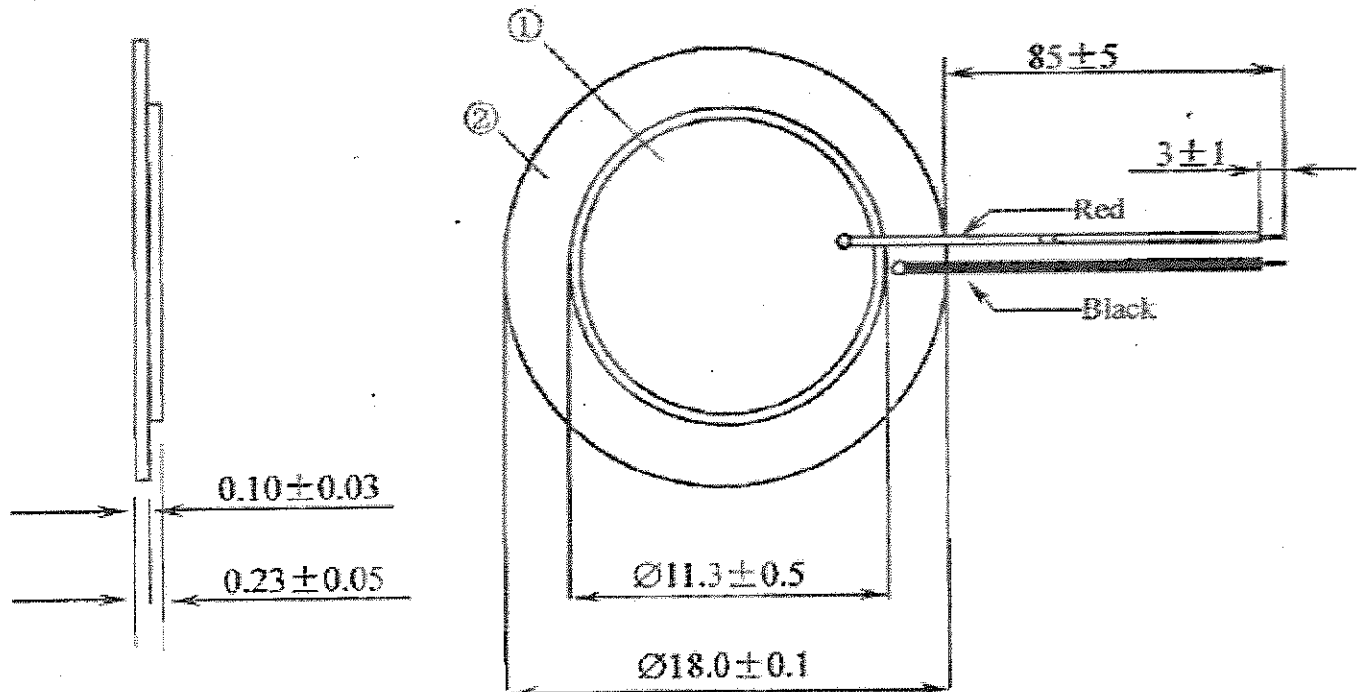
3. SPECIFICATION(at 25 °C)

- 3.1 Resonant Frequency : 3.6 ± 0.5 KHz
- 3.2 Resonant Resistance : 2000Ω max
- 3.3 Capacitance : $14,000 \text{pF} \pm 30\%$ at 120Hz
- 3.4 Input Voltage : 30Vp-p max.
- 3.5 Operating Temperature : -20°C to $+60^\circ\text{C}$
- 3.6 Storage Temperature : -20°C to $+70^\circ\text{C}$
- 3.7 Dimension : as per Figure 1.

1. Piezoelectric Ceramics

2. Brass Plate

Figure 1. Unit :mm



Lead Wire :UL1571#32

4. Environment-related substances to be controlled.

◎ Piezoelectric Ceramic Disc.

RoHs Annex:

Application of lead, mercury, cadmium and hexavalent chromium, which are exempted from the requirement of article 4(1).

* Lead in electronic ceramic parts.(e.g. piezoelectronic devices).

5. PACKING

