

OBO.Pro.2.	SPECIFICATIONS	MODEL NO. OBO-TW20239-1605
	PART NAME Piezoelectric diaphragm soldering with lead wire	SHEET 1 OF 3

ALTERNATION HISTORY

Marking	Date	ECN NO.	REV.	Description	Page	PREPARE BY	APPROVE BY
---	MAY,10,06	---	A	New Document	3	習俊	唐
						<div style="border: 1px solid black; padding: 5px; text-align: center;"> OBO PRO. 2 INC. 2006 MAY 12. 文件发行章 </div>	

REV.	DATE	PREPARED BY	CHECKED BY	APPROVED BY
A	MAY,10,06	習 俊	唐	唐

OBO.Pro.2.

SPECIFICATIONS

MODEL NO.
OBO-TW20239-1605

PART NAME
Piezoelectric diaphragm soldering with lead wire

SHEET
2 OF 3

1. SCOPE

This specification is applied to the piezoelectric diaphragm soldering with lead wire.

Features: Conformity RoHS Directive(2002/95/EC)Requests.

2. MODEL NO: OBO-TW20239-1605

3. SPECIFICATION(at 25℃)

- 3.1 Resonant Frequency : 3.9 ± 0.5 KHz
- 3.2 Resonant Resistance : 400 OHM max
- 3.3 Capacitance : $25,000\text{pF} \pm 30\%$ at 120Hz
- 3.4 Input Voltage : 30Vp-p max
- 3.5 Operating Temperature : -20°C to $+60^\circ\text{C}$
- 3.6 Storage Temperature : -20°C to $+70^\circ\text{C}$
- 3.7 Dimension : as per Figure 1.

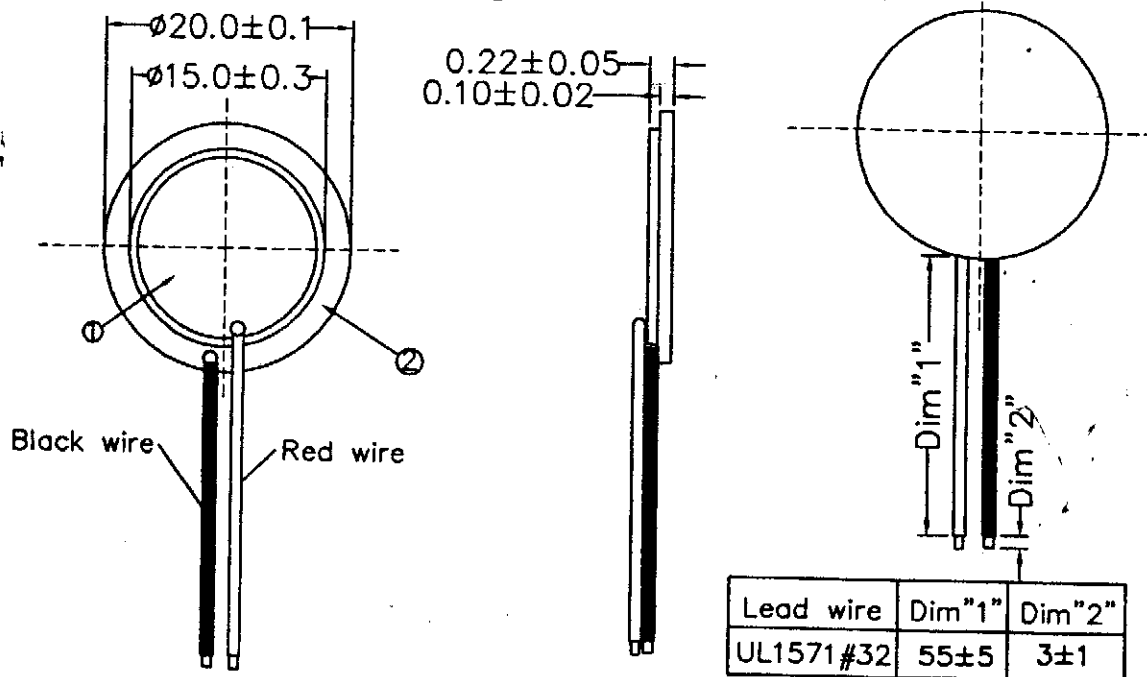
① Piezoelectric Ceramics

② Brass Plate

OBO PRO.2 INC.
2006 MAY 12.
文件发行章

Figure.1

Unit: mm



OBO.Pro.2.

SPECIFICATIONS

MODEL NO.
OBO-TW20239-1605

PART NAME
Piezoelectric diaphragm soldering with lead wire

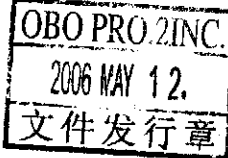
SHEET
3 OF 3

4.Environment-related substances to be controlled.

- Piezoelectric Ceramic Disc
RoHS Annex

Application of lead,mercury,cadmium and hexavalent chromium, which are exempted from the requirement of article 4(1).

*Lead in electronic ceramic parts.(e.g.Piezoelectronic devices).



5.Packing

