

<b>OBO Pro.2</b>	<b>SPECIFICATIONS</b>	<b>MODEL NO.</b> OBO-TW35323-19
	<b>PART NAME</b> Piezoelectric Diaphragm Soldering With Lead Wire	<b>SHEET</b> 1 OF 3

**ALTERNATION HISTORY**

Marking	Date	ECN NO.	REV.	Description	Page	PREPARE BY	APPROVE BY
--	AUG,24'05	---	A	New Document	3	Hms	陳建合
※1	DEC,26'05	DG0512001	B	Do Marking	3	潘兆豐	唐群峰
※2	MAR,28'06	0602009	C	Change the welding method & Conformity RoHS Directive ( 2002/95/EC ) Requests.	3	馮仁如	蕭可致
※3	MAY,18'06	0605005	D	Change the welding method	3	馮仁如	蕭可致

REV.	DATE	PREPARED BY	CHECKED BY	APPROVED BY
D	MAY,18,2006	LULU	蕭可致	蕭可致

<b>OBO Pro.2</b>	<b>SPECIFICATIONS</b>	MODEL NO. OBO-TW35323-19
	PART NAME Piezoelectric Diaphragm Soldering With Lead Wire	SHEET 2 OF 3

**1. SCOPE**

This specification is applied to the piezoelectric diaphragm soldering with lead wire.

**Features : Conformity RoHS Directive ( 2002/95/EC ) Requests.** ※2

**2. MODEL NO : OBO-TW35323-19**

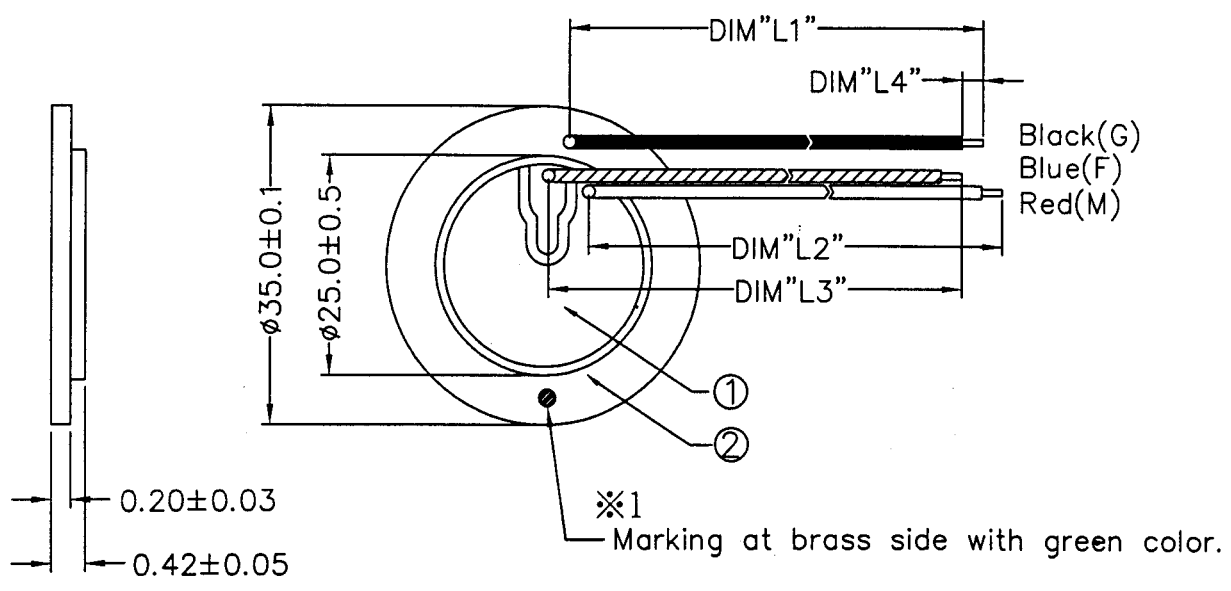
**3. SPECIFICATION( at 25 °C)**

- 3.1 Resonant Frequency : 2.3 ± 0.5 KHz
- 3.2 Resonant Resistance : 1000 Ω max
- 3.3 Capacitance : 30,000pF ± 30% at 120Hz
- 3.4 Input Voltage : 30Vp-p max.
- 3.5 Operating Temperature : -20°C to +60°C
- 3.6 Storage Temperature : -20°C to +70°C
- 3.7 Dimension : as per Figure 1.

- ① Piezoelectric Ceramics
- ② Brass Plate

※2※3 Figure 1. Unit : mm

Customer	Lead wire	DIM"L1"~"L3"	DIM"L4"
新電子	UL1571#32	56±3	3±1



<b>OBO Pro.2</b>	<b>SPECIFICATIONS</b>	<b>MODEL NO.</b> OBO-TW35323-19
	<b>PART NAME</b> Piezoelectric Diaphragm Soldering With Lead Wire	<b>SHEET</b> 3 OF 3

#### 4. Environment-related substances to be controlled. ※2

◎ Piezoelectric Ceramic Disc.

RoHs Annex :

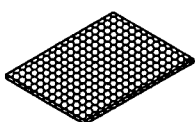
Application of lead, mercury, cadmium and hexavalent chromium, which are exempted from the requirement of article 4(1).

\* Lead in electronic ceramic parts.(e.g. piezoelectronic devices).

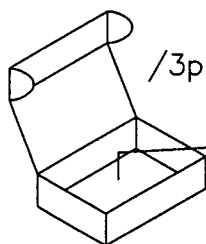
#### 5. Packing

OBO PRO.2 INC.	
MODEL NO.	
LOT NO.	
QUANTITY	
DATE	

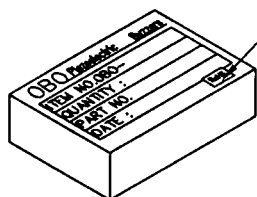
100pcs / Label  
(80\*50\*0.08mm)



400pcs / Sponge\*3pcs  
19.5\*14.5\*0.6cm



400pcs/4PE Bag  
/3pcs Sponge/1pcs Inside Box  
(218\*152\*61mm)

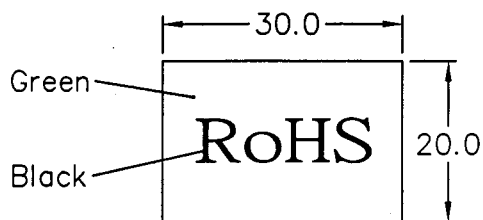


RoHS Tape ※2

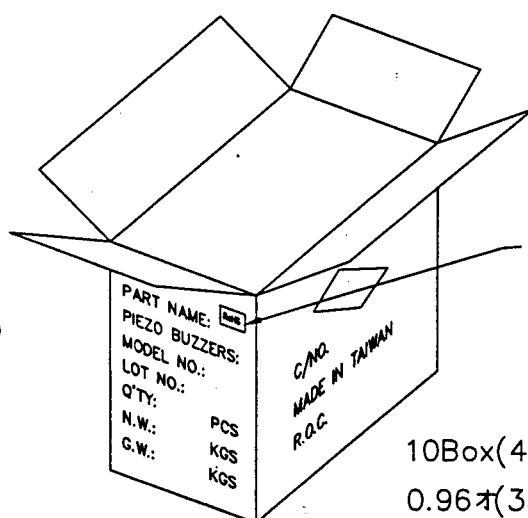


100pcs / PE Bag  
(220\*155\*0.05mm)

RoHS Tape ※2



RoHS Tape  
(30\*20 mm)



RoHS Tape ※2

10Box(4000pcs) / Carton  
0.96寸(352\*233\*336mm)