

OBO Pro.2	SPECIFICATIONS	MODEL NO. OBO-TW35329-1606
	PART NAME Piezoelectric Diaphragm Soldering With Lead Wire	SHEET 1 OF 3

ALTERNATION HISTORY

Marking	Date	ECN NO.	REV.	Description	Page	PREPARE BY	APPROVE BY
--	JUL,20'06	---	A	New Document	3	張友敏	K.C.Wang

OBO PRO INC.
2006 AUG 03.
文件發行章

REV.	DATE	PREPARED BY	CHECKED BY	APPROVED BY
A	JUL,20'06	張友敏	K.C.Wang	K.C.Wang

OBO.Pro.2.

SPECIFICATIONS

MODEL NO.
OBO-TW35329-1606

PART NAME
Piezoelectric Diaphragm Soldering With Lead Wire

SHEET
2 OF 3

OBO PRO INC
2006 AUG 03
文件及行章

1. SCOPE

This specification is applied to the piezoelectric diaphragm soldering with lead wire.

Features : Conformity RoHS Directive (2002/95/EC) Requests.

2. MODEL NO : OBO-TW35329-1606

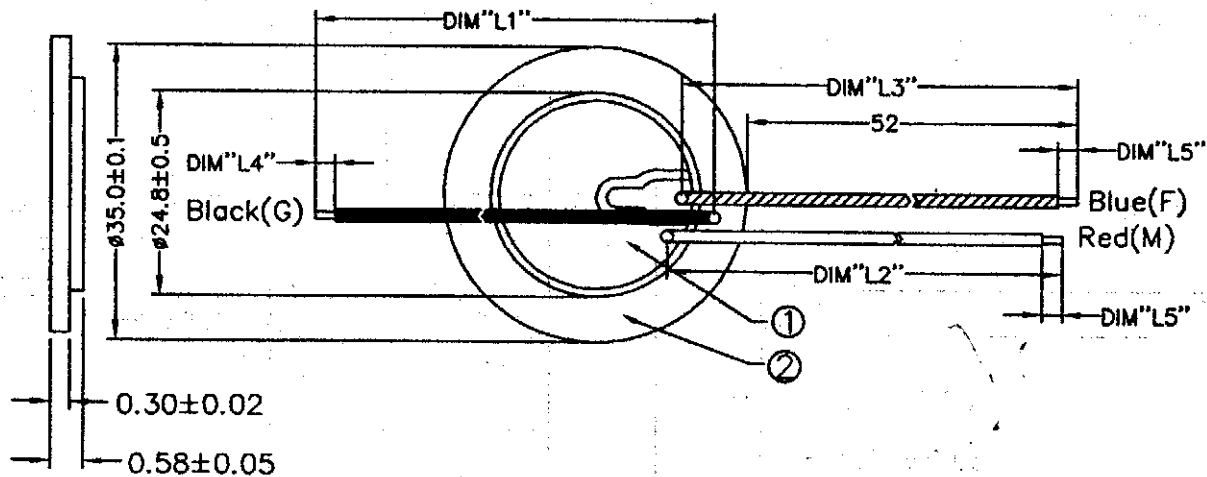
3. SPECIFICATION(at 25 °C)

- 3.1 Resonant Frequency : 2.9 ± 0.4 KHz
- 3.2 Resonant Resistance : 800Ω max
- 3.3 Capacitance : $26,000\text{pF} \pm 30\%$ at 120Hz
- 3.4 Input Voltage : 30Vp-p max.
- 3.5 Operating Temperature : -20°C to $+60^{\circ}\text{C}$
- 3.6 Storage Temperature : -20°C to $+70^{\circ}\text{C}$
- 3.7 Dimension : as per Figure 1.

- ① Piezoelectric Ceramics
- ② Brass Plate

Figure 1. Unit : mm

Customer	Lead wire	DIM"L1"	DIM"L2""L3"	DIM"L4""L5"
新電子	UL1571#32	56 ± 3	61 ± 3	4 ± 1



OBO Pro.2

SPECIFICATIONS

MODEL NO.
OBO-TW35329-1606

PART NAME
Piezoelectric Diaphragm Soldering With Lead Wire

SHEET
3 OF 3

4. Environment-related substances to be controlled.

OBO PRO.2 INC.
2006 AUG 03.
文件及行章

◎ Piezoelectric Ceramic Disc.

RoHS Annex :

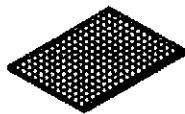
Application of lead, mercury, cadmium and hexavalent chromium, which are exempted from the requirement of article 4(1).

* Lead in electronic ceramic parts.(e.g. piezoelectronic devices).

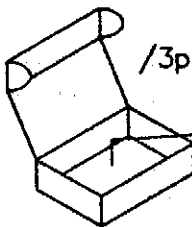
5. Packing

OBO PRO.2 INC.	
MODEL NO.	
LOT NO.	
QUANTITY	
DATE	

100pcs / Label
(80*50*0.08mm)



400pcs / Sponge*3pcs
19.5*14.5*0.6cm



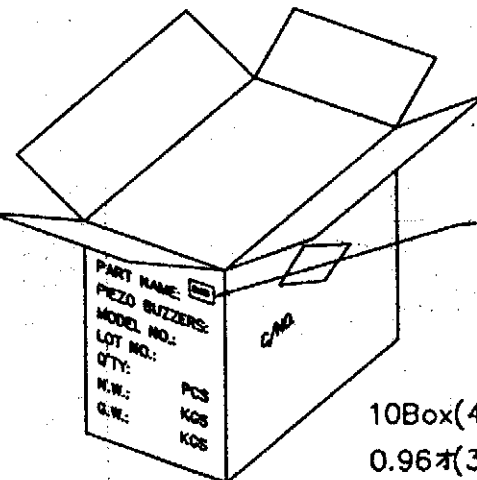
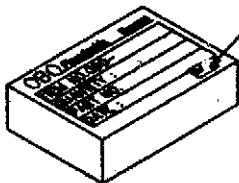
400pcs/4PE Bag
/3pcs Sponge/1pcs Inside Box
(218*152*61mm)



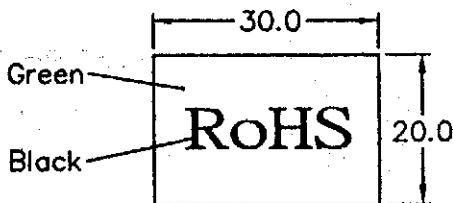
100pcs / PE Bag
(220*155*0.05mm)



RoHS Tape



RoHS Tape



RoHS Tape
(30*20 mm)

10Box(4000pcs) / Carton
0.96*(352*233*336mm)