

OBO PRO.2 INC.
 啓弘股份有限公司

No. 18, Yanwu Rd., Taoyuan City, Taiwan 330, R.O.C.
 TEL: 886-3-346-8636 FAX: 886-3-346-8645~6
 E-MAIL: sales@obopro2.com Website: www.obopro2.com

Specification for Approval

NO.:

Part Name : Piezoelectric diaphragm
 soldering with lead wire
 Model No. : OBO-TW35334-36
 Date : JUN.02,2004

Page	Cover Page	1	2	3	4	5	6	7	8	9	10	11	12	
Version	D	D	D											

CHANGES

No.	Date	ECN. No.	Version	Description	Sign
△	JUN.02'04	0405001	D	1.Add Note: 陶瓷片不塗防銹膠 2.Change packing.	Lulu

Please kindly make approval of our samples, And return this form by fax or airmail, Thanks for your kind attention and co-operation.

(請對我們公司樣品給予承認,承認後加蓋承認章以傳真或郵寄方式回覆,謝謝貴公司的支持與合作)

Customer Name : _____

Customer Part No. : _____

Designed By	Checked By	Approval By

SPECIFICATION

1. SCOPE

This specification is applied to the piezoelectric diaphragm soldering with lead wire.

2. MODEL NO. : 0B0-TW35334-36

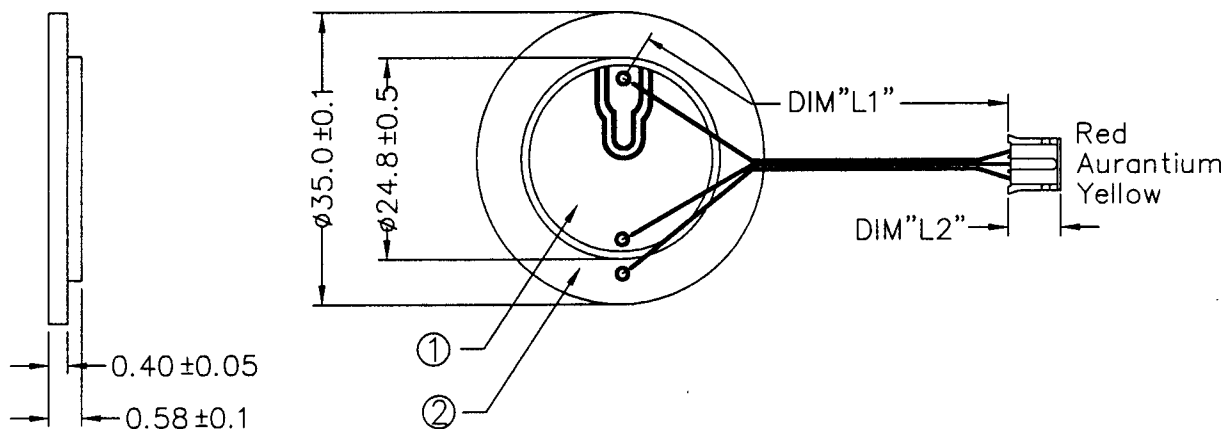
3. SPECIFICATION(at 25 °C)

- 3.1 Resonant Frequency : 3.4 ± 0.5 KHz
- 3.2 Resonant Resistance : 500 OHM max.
- 3.3 Capacitance : $35,000\text{pF} \pm 30\%$ at 120Hz
- 3.4 Input Voltage : 30Vp-p max
- 3.5 Operating Temperature : -20°C to $+60^{\circ}\text{C}$
- 3.6 Storage Temperature : -20°C to $+70^{\circ}\text{C}$
- 3.7 Dimension : as per Figure 1.

① Piezoelectric Ceramics

② SUS Plate

Figure 1. Unit :mm



Customer	Lead wire	DIM"L1"	DIM"L2"
威茲馬特	0.08/13C O.D 1.03	55±3	ECI 2020-03
Note : 陶瓷片不塗防銹膠			

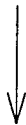
Drawing by	Checked by	Approved by	Page No.	Model No.	Version	Date
Lulu 06.02'04			1	TW35334-36	D	JUN.02,2004

Figure 2. PACKING

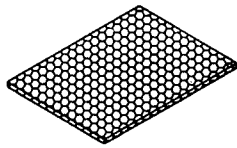
OBO PRO.2 INC.

MODEL NO.	
LOT NO.	
QUANTITY	
DATE	

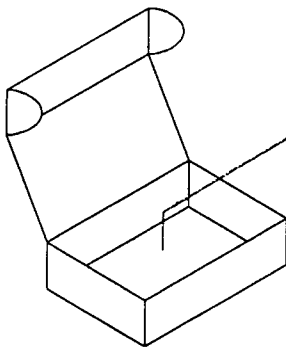
50pcs / Label
(80*50*0.08mm)



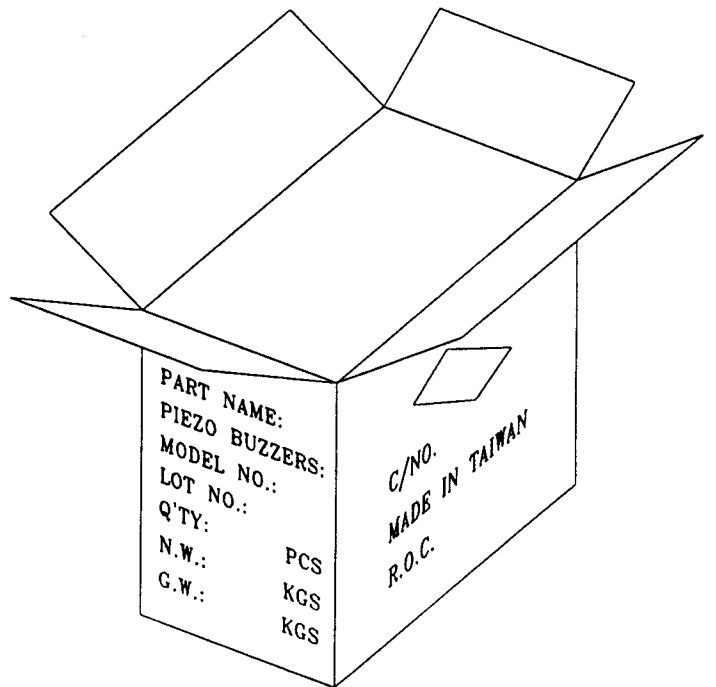
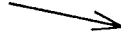
50pcs / PE Bag
(220*155*0.05mm)



300pcs / Sponge*2
19.5*14.5*0.6cm



300pcs / 6PE Bag
/2pcs Sponge / 1pcs Inside Box
(218*152*61mm)



10Box(3000pcs) / Carton
0.96m(352*233*336mm)

Drawing by	Checked by	Approved by	Page No.	Model No.	Version	Date
Lulu 06.02'04		6/18/04	2	TW35334-36	D	JUN.02,2004