

OBO.Pro.2**SPECIFICATIONS****MODEL NO.**
OBO-TW27335-1605**PART NAME**
Piezoelectric Diaphragm Soldering With Lead Wire**SHEET**
2 OF 2

文件发行章

1. SCOPE

This specification is applied to the piezoelectric diaphragm soldering with lead wire.

2. MODEL NO : OBO-TW27335-16

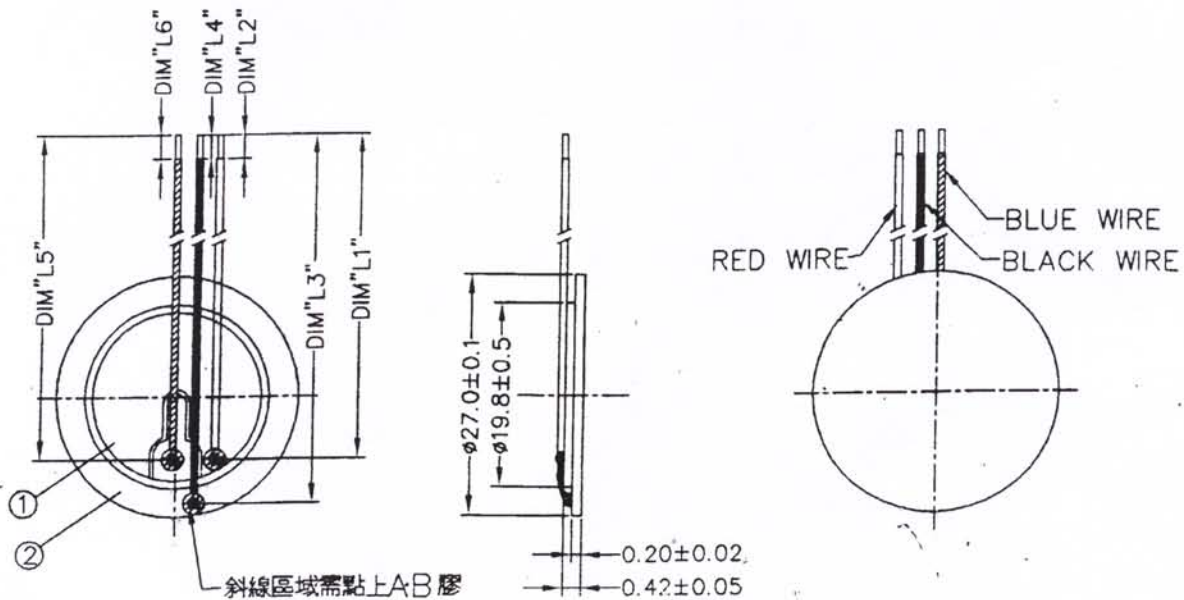
Features :Conformity RoHS Directive (2002/95/EC) Requests.

3. SPECIFICATION(at 25 °C)

- | | |
|---------------------------|---------------------------|
| 3.1 Resonant Frequency | : 3.5 ± 0.4 KHz |
| 3.2 Resonant Resistance | : 1000 Ω max |
| 3.3 Capacitance | : 19,000pF ± 30% at 120Hz |
| 3.4 Input Voltage | : 30Vp-p max. |
| 3.5 Operating Temperature | : -20°C to +60°C |
| 3.6 Storage Temperature | : -20°C to +70°C |
| 3.7 Dimension | : as per Figure 1. |

- ① Piezoelectric Ceramics
- ② Brass Plate

Figure 1. Unit :mm



Customer	Lead wire	DIM"L1"	DIM"L3"	DIM"L5"	DIM"L2""L4""L6"
艾爾森	UL1571#30	115±5	120±5	115±5	3±1

OBO Pro.2

SPECIFICATIONS

MODEL NO.
OBO-TW27335-1605

PART NAME
Piezoelectric Diaphragm Soldering With Lead Wire

SHEET
3 OF 3

OBO PRO.2 INC.
2007335-1605
文件发行单

4. Environment-related substances to be controlled.

◎ Piezoelectric Ceramic Disc.

RoHS Annex :

- Application of lead, mercury, cadmium and hexavalent chromium, which are exempted from the requirement of article 4(1).
- * Lead in electronic ceramic parts.(e.g. piezoelectronic devices).

5. Packing

OBO PRO.2 INC.	
MODEL NO.	
LOT NO.	
QUANTITY	
DATE	

100pcs / Label
(80*50*0.08mm)



1000pcs / Sponge*2pcs
19.5*14.5*0.6cm



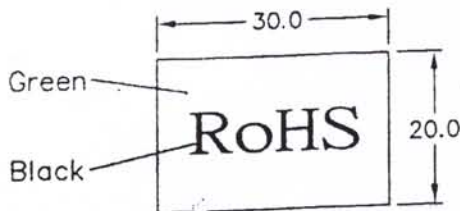
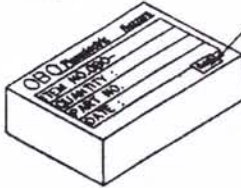
1000pcs/10PE Bag/
2pcs Sponge/1pcs Inside Box
(218*152*61mm)



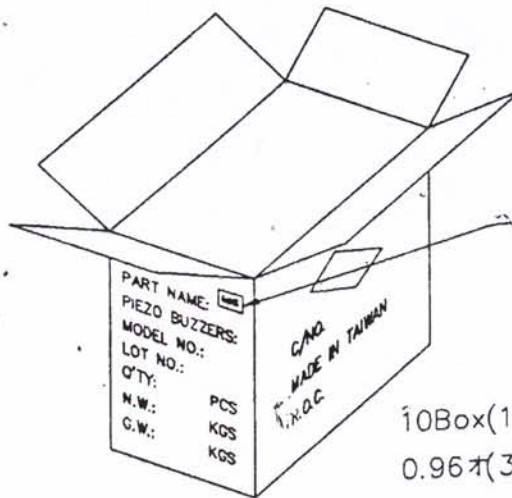
100pcs / PE Bag
(220*155*0.05mm)

RoHS Tape

RoHS Tape



RoHS Tape
(30*20 mm)



10Box(10000pcs) / Carton
0.96 (352*233*336mm)